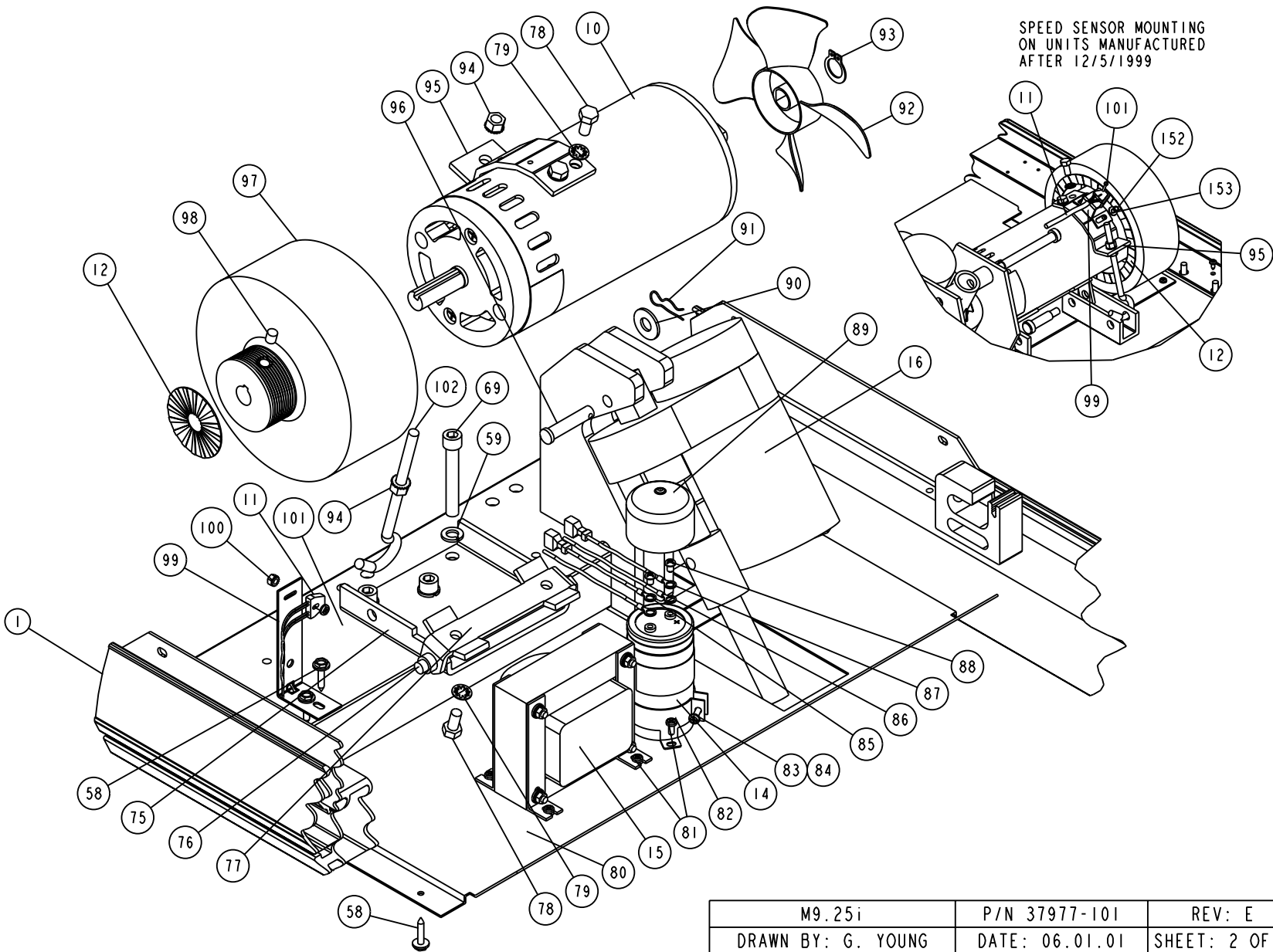
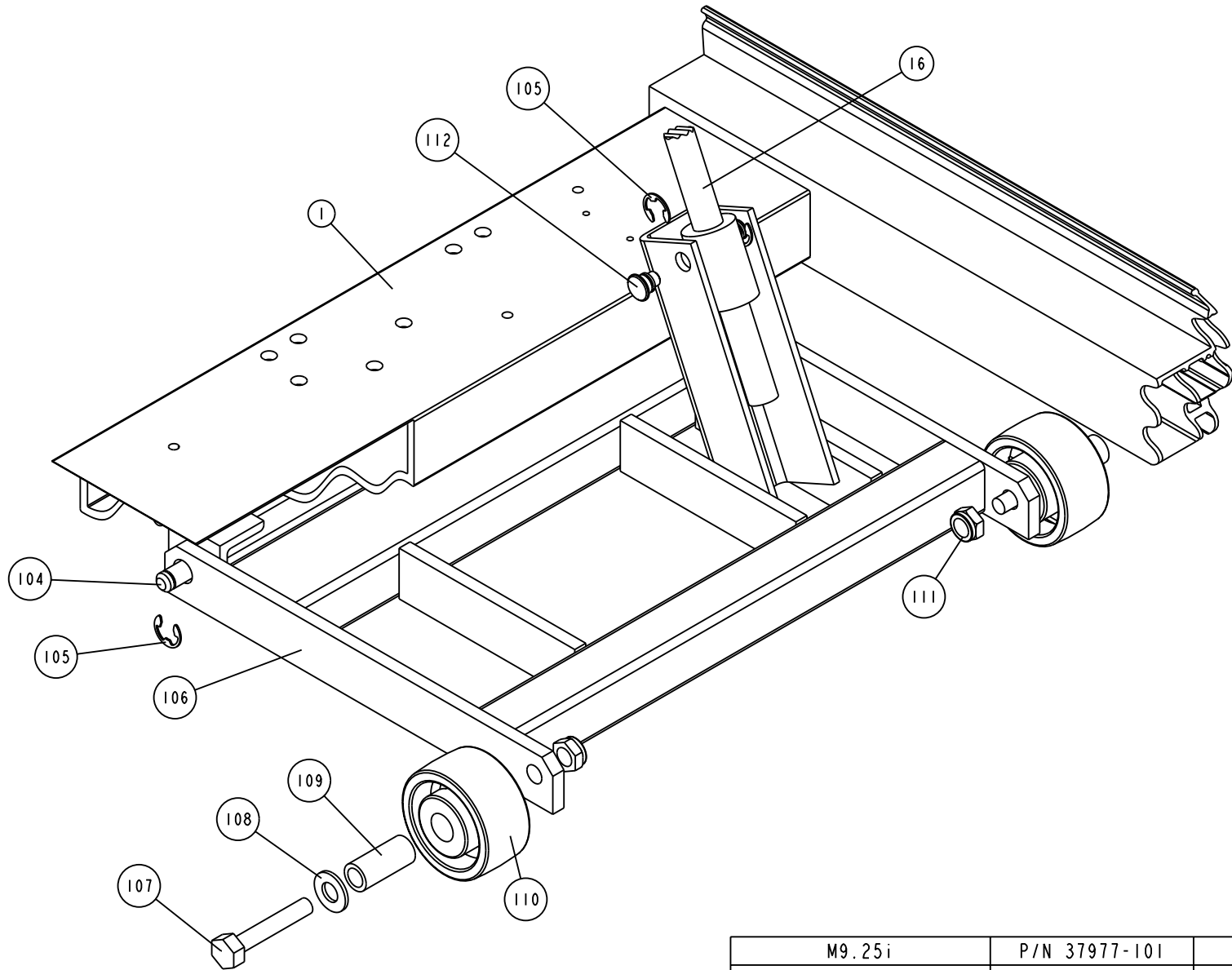


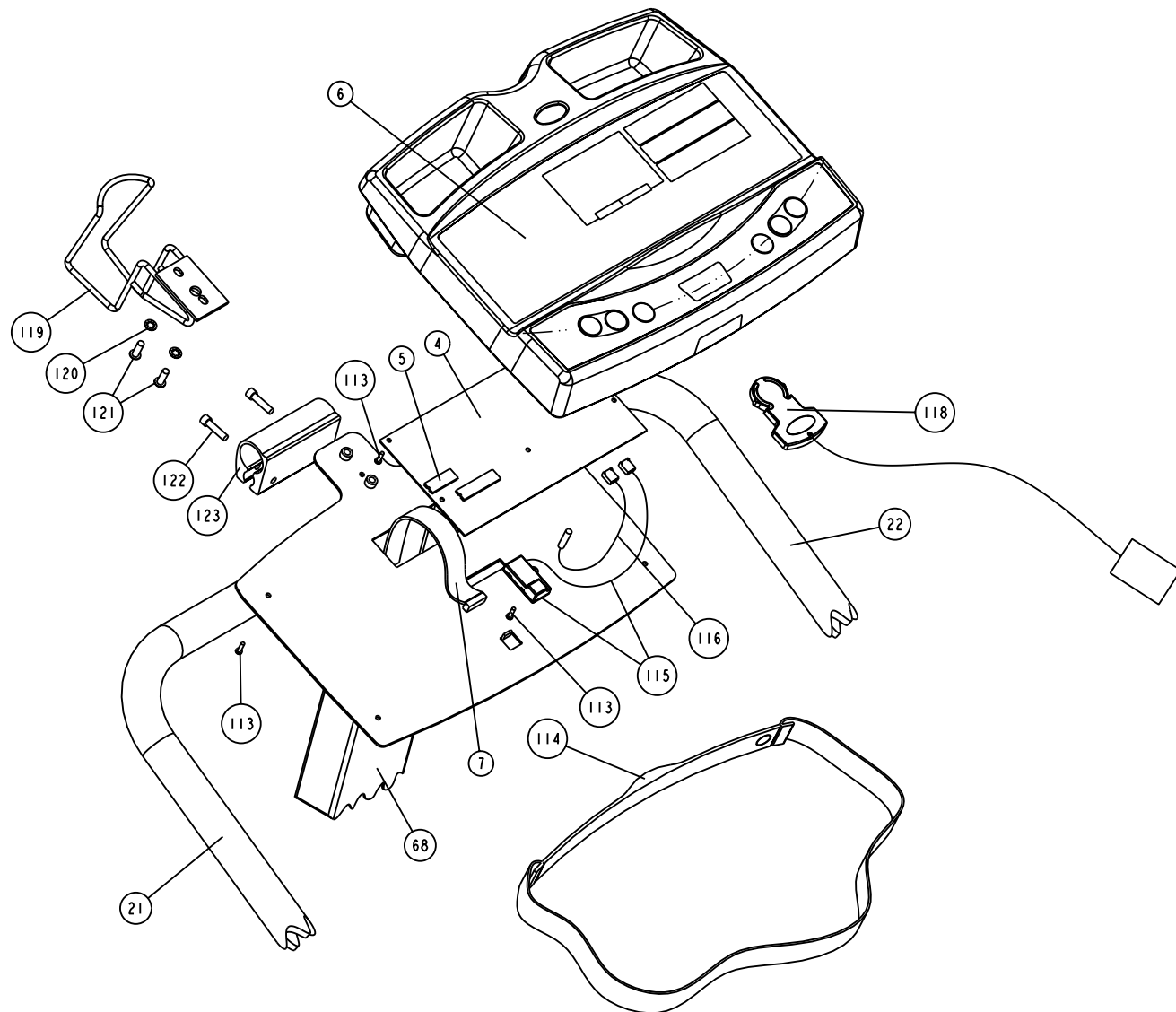
M9.25i	P/N 37977-101	REV. E
DRAWN BY: G. YOUNG	DATE: 06.01.01	SHEET 1 OF 5



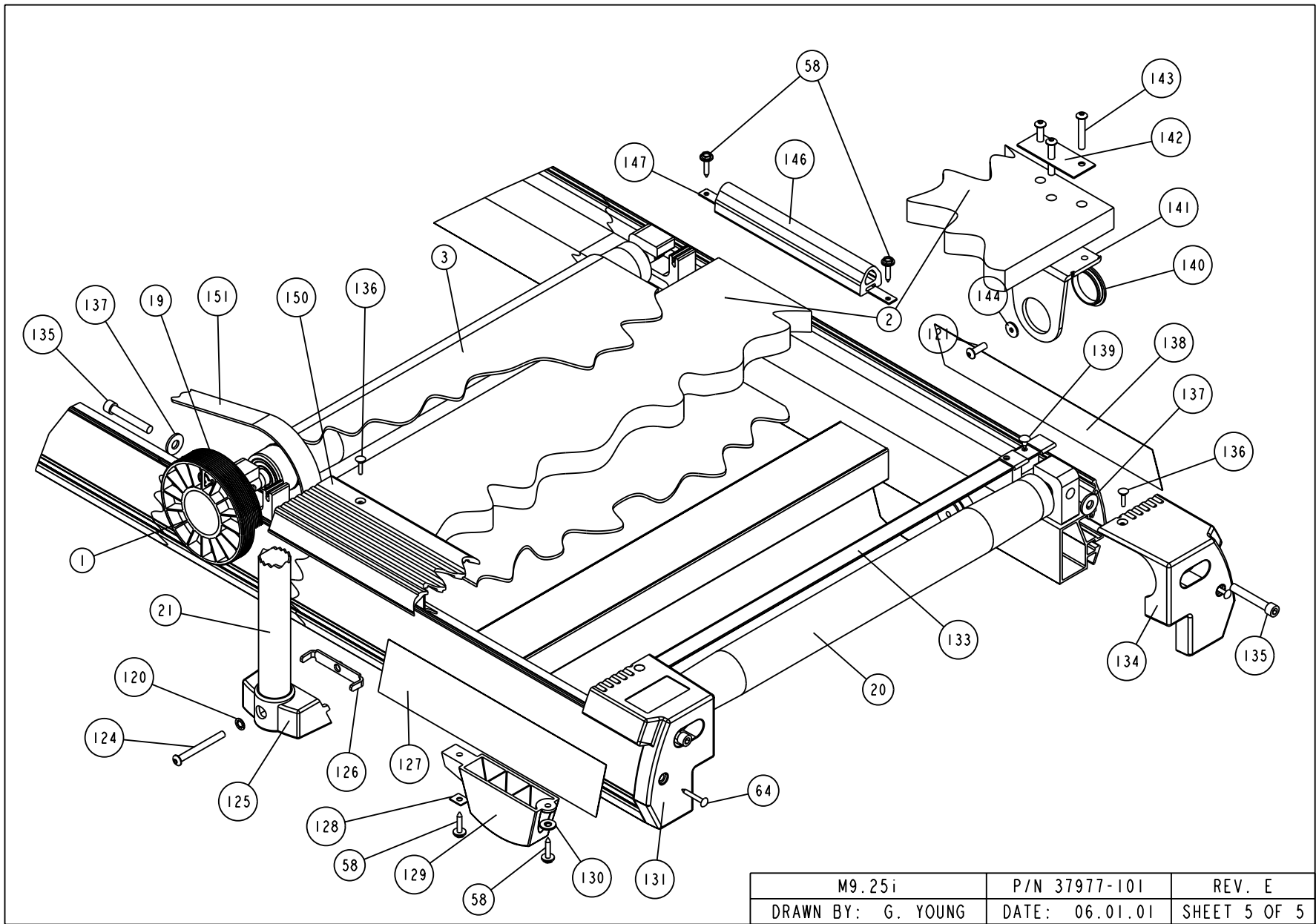
M9.25i	P/N 37977-101	REV: E
DRAWN BY: G. YOUNG	DATE: 06.01.01	SHEET: 2 OF 5



M9.25i	P/N 37977-101	REV. E
DRAWN BY: G. YOUNG	DATE: 06.01.01	SHEET 3 OF 5



M9.25i	P/N 37977-101	REV. E
DRAWN BY: G. YOUNG	DATE: 06.01.01	SHEET 4 OF 5



9.25i (serial code 2Z)

Part Number	Description	Bubble Number
50985-101	ASSY,BED,SFT	2
36355-101	RUNNING BELT,SIEGLING,17 X 110	3
38676-105	PCA, DISPLAY, SFT, CSAFE	4
43296-102	ASSY,PCA&SW,9.25I,UPR	4.01
43434-101	ASSY, DISPLAY ENCLOSURE, 925I	6
36350-105	ASSY, CABLE INTERCONNECT, 63	7
37180-102	ASSY, LWR ELECT. MODULE	9
43339-101	ASSEMBLY, MOTOR, BALANCED	10
36833-102	ASSY,REMOTE SENSOR,TWISTED	11
37363-502	LABEL, FLYWHEEL TARGET, 9.41SI	12
31551-103	INDUCTOR, 6.7MH, 3A, W/LEADS,	15
36862-105	MOTOR, LIFT ACTUATOR	16
36913-103	ASSY, DRIVE ROLLER	19
36914-102	ASSY,ROLLER,TAKE-UP,9.2X	20
43254-102	ASSY,LEFT HANDRAIL,SILVER, W/GRIP	21
50992-101	SFT(I) SILVER, RETRO KIT	21.01
43254-101	ASSY,RIGHT HANDRAIL, SILVER,W/GRIP	22
49321-101	ASSY, LINE CORD, 120V, 15A , 122" L	23
10435-101	CKT BRKR,250V,MAGNETIC,ROCKER,	24
38819-102	TRANSMITTER, HEARTRATE,W/STRAP	31
37621-101	LABEL,GROUND EFFECTS,OVAL,DURO-LENZ	50
MGKN013-025	SCREW,MCH,6-32X1/4,PANHD,PHIL,	51
PTKN016-050	SCREW,QUADREX DRIVE,#8,L=1/2,	51
50974-106	ASSY,HOOD WITH LABELS,SFT	52
42088-501	LABEL, S/R FRONT,LFT, 921I/SI/925I	53
10332-101	MOUNT, CABLE TIE	56
PHCN019-075	SCREW,S/T,#10X3/4,WSHRHXHD,ZN,	58
PKCN019-075	SCREW,S/T,#10X.75,WSHHXHD,ZN	58
WALCN038-009	WASHER, 3/8 SPLIT LOCK, ZINC	59
10136-101	CLIP, U TYPE, TINNERMAN, #8	60
36874-501	PLATE, DRESS, PAINTED	62
MGKN013-025	SCREW,MCH,6-32X1/4,PANHD,PHIL,	63
PGKN016-125	SCREW,S/T,#8X1-1/4,TRS,PHIL,	64
10237-101	LOCKNUT, 7/8 ,NYLON,BLACK	65
42088-502	LABEL, S/R FRONT,RT, 921I/SI/925I	67
43121-101	PAD, ISOLATION, LOWER	68
43121-102	PAD, ISOLATION, UPPER	68
43122-101	PLATE, WASHER, ISOLATION PAD	68
43142-101	ASSEMBLY, UPRIGHT,SILVER	68
CAKN038-250	SCREW,SKHD,3/8-16X2.50,BLK ZN,LK	69
HACN038-600	SCREW,3/8-16X6,HEX,GR 2,ZN	76
HDCN031-063	SCREW,HEX,GR 5,5/16-24X5/8,ZN	78
WATNN033-003	WASHER, LK-INT, 5/16, ID=.325,	79
MGCN016-038	SCREW,MCH,8-32X3/8,PANHD,PHIL,	81
10036-101	CLAMP,CAPACITOR,2.0 NOM	82
MGCN016-063	SCREW,MCH,8-32X5/8,PANHD,PHIL,	83
KGCN016-013	LOCKNUT, STARWASHER 8-32, HEX	84
31815-105	ASSY, CABLE, CAPICATOR TO MTR,	85
31894-102	ASSY, CABLE, CAPACITOR TO MTR,	87
MHCN019-025	SCREW,MCH,10-32X1/4,PANHD,PHIL	88

10479-101	CAPACITOR CAP,2 OD X 1 HIGH	89
WCCN038-008	WASHER, FLT, 3/8X1.00X.083	90
10753-101	FAN,MOTOR HUB	92
KGCN031-027	LOCKNUT,STARWASHER,5/16-18,1/2	94
10401-104	PIN, CLEVIS, 3/8 X 2.00,SILVER	96
42765-101	BRACKET, SPEED SENSOR	99
MGKN011-038	SCREW,MCH,4-40X3/8,PANHD,PHIL,	101
BNCN031-350	J-BOLT, HOOK, 5/16-18X3.5,ZN	102
36920-801	SHAFT, LIFT PLATFORM	104
43137-102	ASSEMBLY, LIFT PLATFORM	106
36879-104	PIN, LIFT	112
37033-101	BUSHING, SOFT DECK	113
PMKN016-050	SCREW,TCS,#8X1/2,PHIL,BLK ZN,TYPE25	113
37997-101	ASSY, ACTIVATION SWITCH	116
38867-101	ASSY,FAILSAFE CORD	118
38808-501	ASSY, WATER BOTTLE CAGE,PT	119
TFKN025-075	SCREW,BTHD,1/4-20X3/4,BLK ZN	121
37499-102	CLAMP, HANDLEBAR,BLACK, PT	123
TAKN025-250	SCREW,BTHD,1/4-20X2-1/2,BLK ZN	124
43257-101	ASSY, HANDRAIL CLAMP & ISO PAD	125
36102-103	PLATE, NUT	126
42089-501	LABEL, SIDERAIL,LFT, REAR	127
43124-101	PAD, ISOLATION, REAR FOOT	129
43214-101	ASSEMBLY, REAR FOOT, 92X	129
36905-501	GUARD, ROLLER, REAR, PAINTED	133
CCNN031-200	SCREW,SKHD,5/16-18X2,SS,LK	135
PPKN019-075	SCREW,S/T,#10X3/4,FLATHD,PHIL,	136
WCCN025-007	WASHER, FLT, 1/4X.734X.065	137
42089-502	LABEL, SIDERAIL,RT,REAR	138
PGKN016-050	SCREW,S/T,#8X1/2,TRS,PHIL,BLK	139
37656-102	BEARING, FLANGE	140
37650-103	BRACKET, HINGE, BLACK ZINC	141
37658-202	PLATE, WASHER	142
TAKE025-150	SCREW,BTHD,1/4-20X1-1/2,BLK ZN	143
37705-101	SUPPORT, BED 12.0	146
37653-103	EXTRUSION, TRIM 9.21,9.21S	150
10217-106	BELT, DRIVE, 240J10, POLY V	151
MGCN019-025	SCREW, P/H, MACH, 10-24 X 1/4	152
WACN019-005	WASHER, FLT, #10X.500X.049,ZN	153
10123-101	CABLE TIE,11 LONG,WHITE,NYL	201
50979-107	ASSY, SHIPPER, 9.21I/9.21SI	202
37985-501	KIT, HARDWARE,921/S/925	214
10427-111	FUSE,SLOW,.25A,250V,1/4 DIA	250
37364-101	SPRAY,CONDUCTIVE,ECG,60ML	250
10427-140	FUSE,SLOW,2A,250V,1/4 DIA	251
20002-108	BRUSH, MOTOR (YP00516)	990