

TRUE 825/850  
ZTX SERIES

# PARTS LIST

ITEM	PART NO.	DESCRIPTION	QTY
		<b>(825) Overlays Only</b>	
1	70292412	825 Non Overlay only	1
1	70292411	825 P Overlay Only	1
1	70292413	825 HRC Overlay Only	1
		<b>(850) Overlays only</b>	
1	70292412	850 Non Overlay Only	1
1	70292411	850P Overlay Only	1
1	70292410	850HRC Overlay Only	1
		<b>(825) Board Only</b>	
2	70298411	825NON Control Board Only 2750	1
2	70298212	825P Control Board Only	1
2	70298211	825HRC Control Board Only	1
		<b>(850) Board Only</b>	
2	70298410	850 NON Control Board Only	1
2	70298210	850 P Control Board Only	1
2	70298610	850 HRC Control Board Only	1
		<b>(825EX) Board Only International</b>	
2	70298451	825NON EX Control Board Only	1
2	70298252	825P EX Control Board Only	1
2	70298251	825HRC EX Control Board Only	1
		<b>(850EX) Board Only International</b>	
2	70298450	850 NON EX Control Board Only	1
2	70298250	850 P EX Control Board Only	1
2	70298650	850 HRC EX Control Board Only	1
		<b>AFTER SERIAL # 05-88552D Smaller pulley config.</b>	
2	70298414	825 CNTRL BRD UP ROLLER DIA 2354	1
2	70298219	825P CNTRL BRD UP ROLLER DIA 2354	1
2	70298220	825HRC CNTRL BRD UP ROLLER DIA 2354	1
		<b>PWM</b>	
9	70296701	PWM MOTOR CONTROLLER	1
9a	70308200	INTERFACE BOARD	1
9b	70319100	220V INTERFACE BOARD	1
9c	7EPROMC	Eprom Chip for MCB	1
10	70013500	PWM SCREW	1
11	70362300	INDUCTOR	1
		DATA CABLE	
12	70295300	DISPLAY RIBBON CABLE	1
12A	70295100	INTERFACE/CONTROLLER	1
12B	70295400	14 PIN DATA CABLE	1
		<b>825 Drive Motor</b>	
13	70378700	6hp MOTOR 825 (SMALL PULLEY)	1

# PARTS LIST

# ZTX SERIES

ITEM	PART NO.	DESCRIPTION	QTY
		<b>850 Drive Motor</b>	
13a	70303804	COMPLETE DRIVE BELT TENSIONER	1
13b	70302200	DRIVE BELT 240J10	1
		<b>Elevation Motor</b>	
14	70362700	ELEVATION MOTOR	1
14	70295600	ELEVATION MOTOR	1
14	70362800	ELEVATION MOTOR EX 220V	1
		<b>Lower Limit Switch</b>	
15	70309400	LLS	1
15a	70120500	LOWER LIMIT SWITCH WIRE	1
		<b>Elevation Rack</b>	
16	70308000	825 ELEVATION RISER ASSY.	1
16	70308100	850 ELEVATION RISER SUB ASSY.	1
17	70154600	ELEVATION BLOCK ASSY.	1
		<b>Power Cord</b>	
18	70309600	120V Hard Wired POWER CORD	1
18	70363000	120V DETACHABLE POWER CORD-U.S. (right angle)	1
18	70363100	220V DETACHABLE POWER CORD-U.S.	1
18	70363200	220V DETACHABLE POWER CORD-UK/Hong Kong	1
18	70363300	220V DETACHABLE POWER CORD-Europe	1
18	70363400	220V DETACHABLE POWER CORD-Australia/NZ	1
18	70363500	220V DETACHABLE POWER CORD-Africa/India	1
18a	70361801	POWER CORD COVER	1
18b	70313100	POWER CORD COVER SCREW	1
		<b>On/Off Switch</b>	
19	70251100	ROCKER ON/OFF SWITCH	1
19	70261600	220V POWER INLET (Small)	1
19	70373400	POWER INLET GUARD ANGLED CORD	1
19	70319600	110V POWER INLET NEW ( LARGE )	1
		<b>Circuit Breaker</b>	
20	70348600	20 AMP CIRCUIT BREAKER	1
20a	70342100	220V POWER SWITCH	1
		<b>Treadbelt</b>	
21	70214400	825 5X20X129 TREADBELT	1
21	70214500	850 TREADBELT	1
		<b>Deck</b>	
22	70316000	825 Flex Deck	1
22	70306500	850 FLEX DECK	1
23	70304900	DECK BUMPER	

# PARTS LIST

# ZTX SERIES

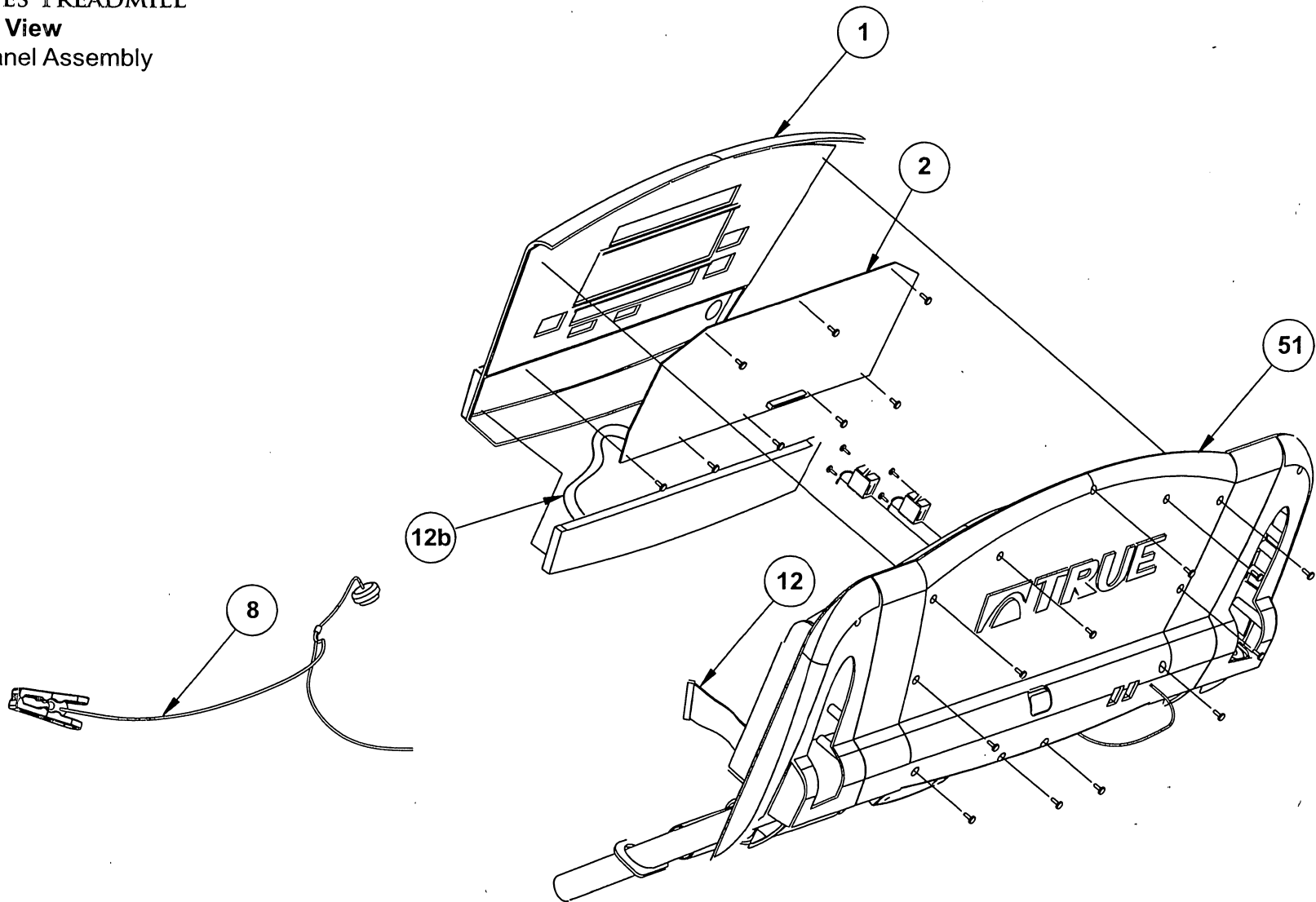
ITEM	PART NO.	DESCRIPTION	QTY
24	70292900	825/850 BELT GUIDES	2
25	70019300	SCREWS FOR BELT GUIDES	
		<b>Front Roller</b>	
26	70351300	825 ADJ. FRONT ROLLER (NEW)	1
27	70207800	lh screw	
		<b>Rear Roller</b>	
28	70350900	825 REAR ROLLER (NEW #)	1
28	70351100	850 REAR ROLLER ASSY	1
29	70170800	825/850 REAR ROLLER BOLTS	1
30	70318100	LF. REAR ROLLER COVER	1
31	70318200	RT. REAR ROLLER COVER	1
		<b>Straddle Covers</b>	
32	70302903	825 ALUM STRAD. CVR (RT).	1
33	70302904	825 ALUM STRAD. CVR (LFT).	1
32	70302901	850 ALUM STRAD. CVR.(RT)	1
33	70302902	850 ALUM STRAD. CVR.(LFT)	1
34	70303200	RT STRADDLE COVER TOP TRIM	1
35	70303100	LF STRADDLE COVER TOP TRIM	1
36	70296800	LF STRADDLE COVER SIDE TRIM	1
37	70296900	RT STRADDLE COVER SIDE TRIM	1
39	70334000	TRIM STRADDLE COVER LF SIDE ( ARROW )	1
40	70334100	TRIM STRADDLE COVER RT SIDE ( ARROW )	1
		<b>Ram Rails</b>	
41	70307300	LEFT RAM RAIL	1
42	70307400	RIGHT RAM RAIL	1
		<b>Medical Rails</b>	
43	70319901	825/850 REHAB RAILS LH	1
44	70319902	825/850 REHAB RAILS RT	1
		<b>Pedestal</b>	
45	70338301	825 PEDESTAL W/ REM. HANDLEBAR	1
45	70338401	850 PEDESTAL W/ REM. HANDLEBAR	1
46	70340500	PEDESTAL BOLT 3/8X3/4"	
46a	70304700	PEDESTAL BOLT	
47	70340600	PEDESTAL WASHER	
47a	70340200	PEDESTAL WASHER	
48	70338201	825 REMOVABLE BAR ONLY	1
48	70375500	NEW 850 REMOVABLE HANDLEBAR	1
49	70290703	HANDLE LEFT CONSOLE	1
50	70290803	HANDLE RIGHT CONSOLE	1
51	70290603	PANEL, BOTTOM CONSOLE ( 850 )	1

# PARTS LIST

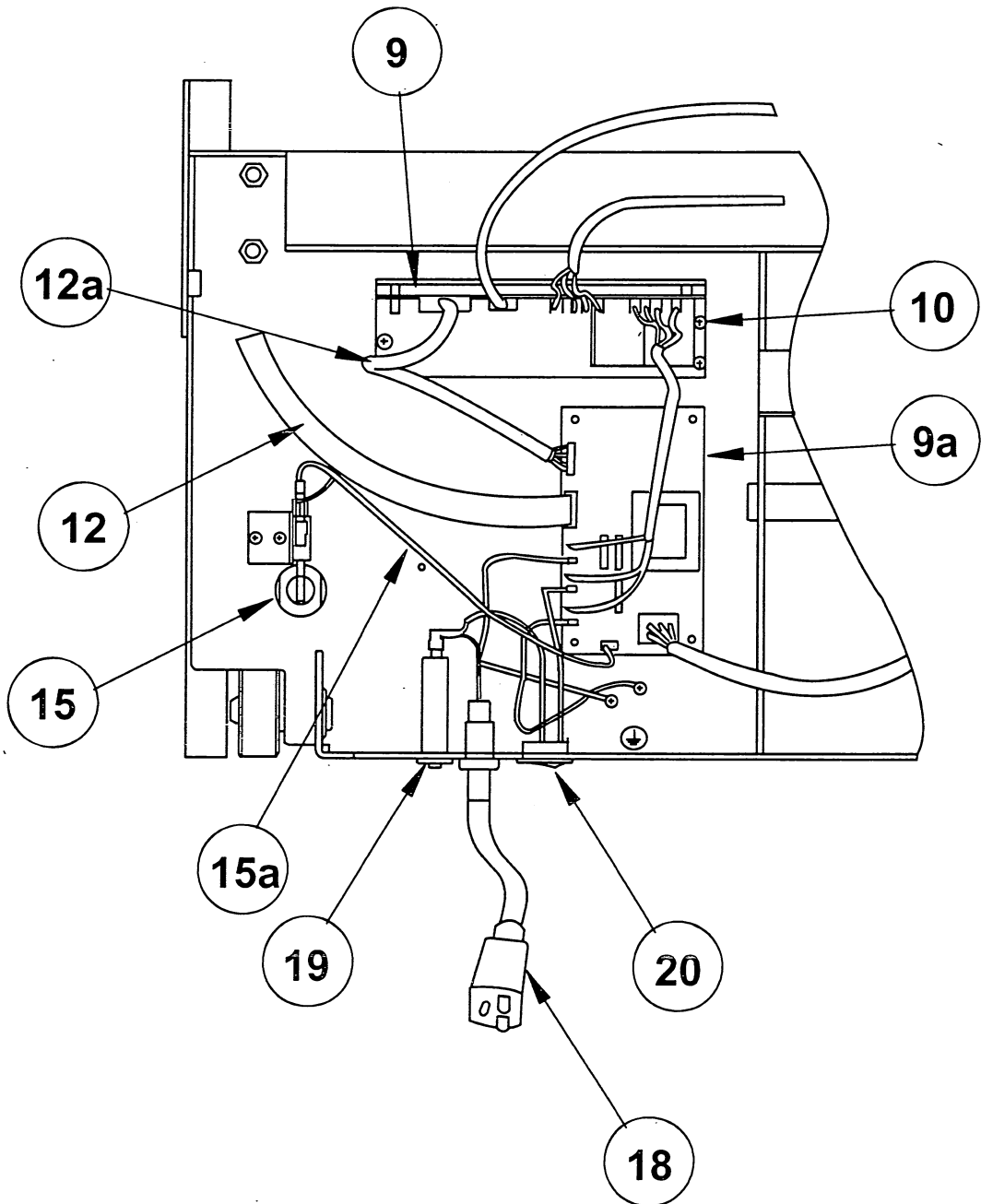
# ZTX SERIES

ITEM	PART NO.	DESCRIPTION	QTY
52	70273800	TRANSMIT MODULE	1
		<b>Frame Weldment</b>	
53	70307900	825 FRAME WELD/RND. ADJ FR. ROLLER	1
53	70302300	850 FRAME WELDED W/ ADJ. FR.ROLLER	1
54	70155200	BUMPER FEET	
55	70020200	BUMPER FEET SCREWS (2 PER FOOT)	
		<b>Lubrication</b>	
	70348900	LUBE STICK	1
	70349000	SILICONE PACKET (1 APPLICATION)	1
	70239800	Wax Channel	1
		<b>Motor Cover</b>	
56	70309100	MOTOR COVER 850	1
56	70293002	MOTOR COVER 825	1
		<b>Heart Rate</b>	
57	70344100	HR RECEIVER BOARD	1
58	70138500	HEART RATE STRAP/TRANSMITTER	1
59	70344900	ISOLATION BOARD	1
61	70273400	HEART RATE grip assy	1
62	70399400	BOARD ASSY POLAR CHR 16"	1

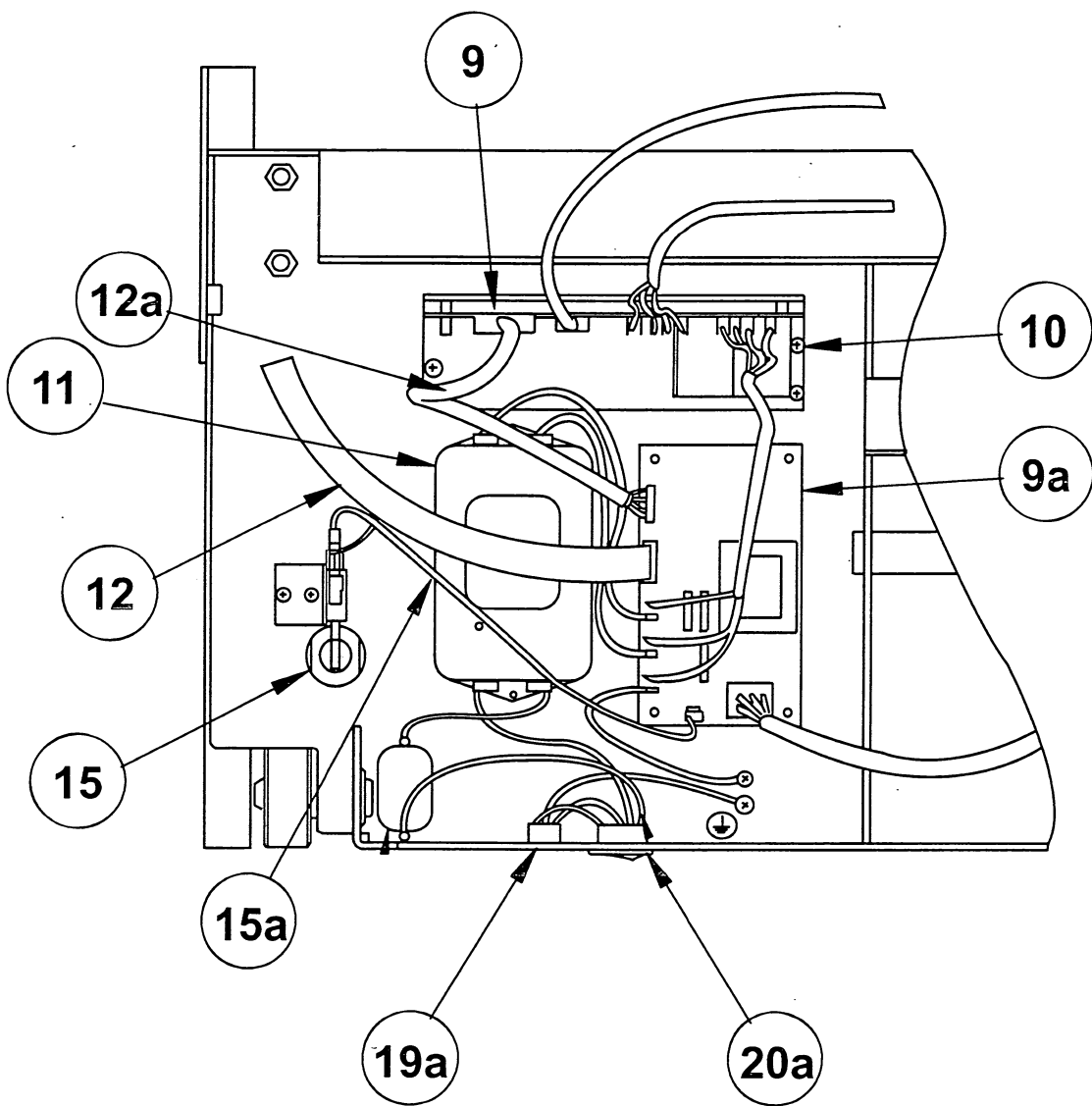
ZTX SERIES TREADMILL  
Exploded View  
Control Panel Assembly



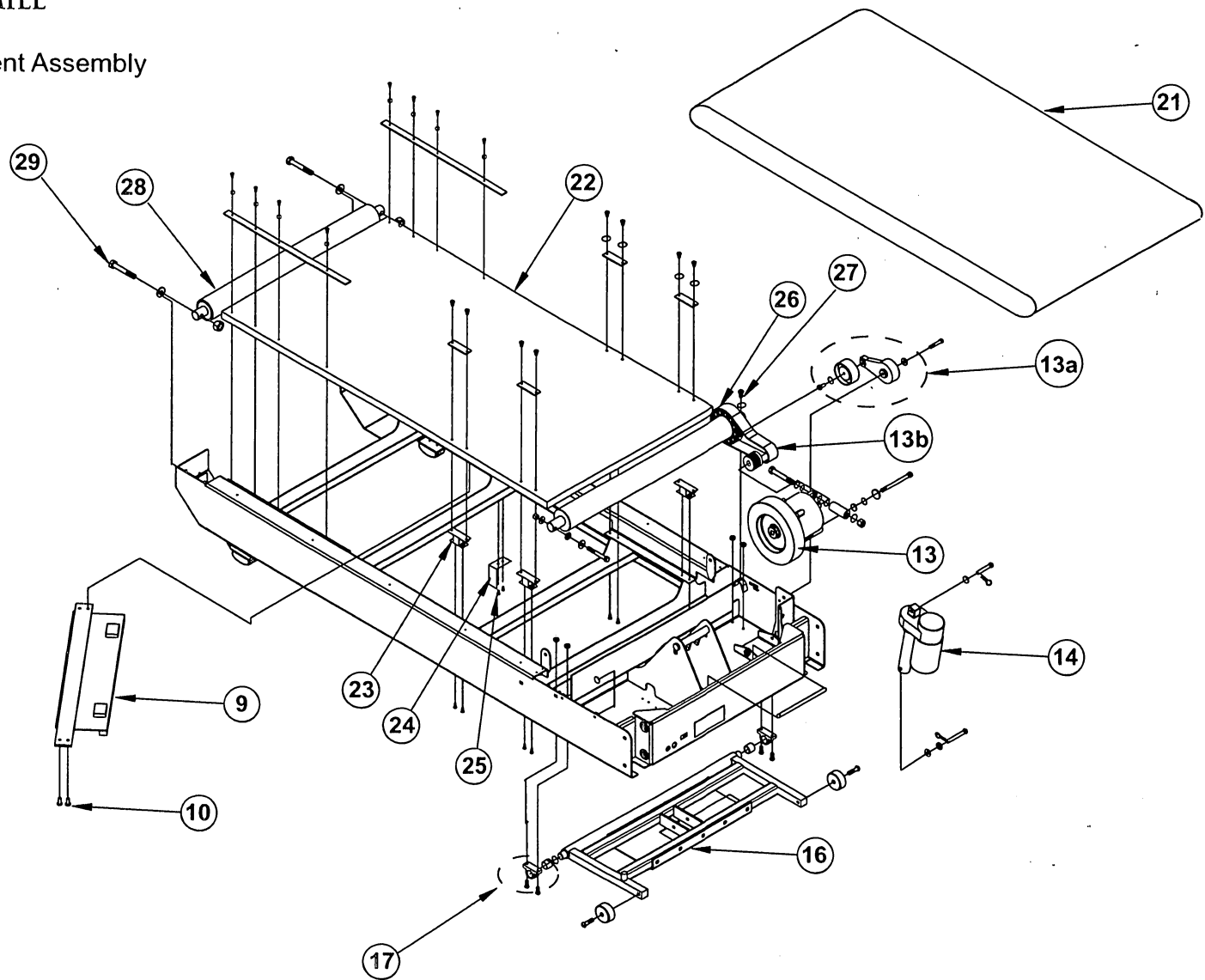
**ZTX SERIES TREADMILL**  
**Exploded View**  
**Power Board Assembly - 110V**



ZTX SERIES TREADMILL  
Exploded View  
Power Board Assembly 220V

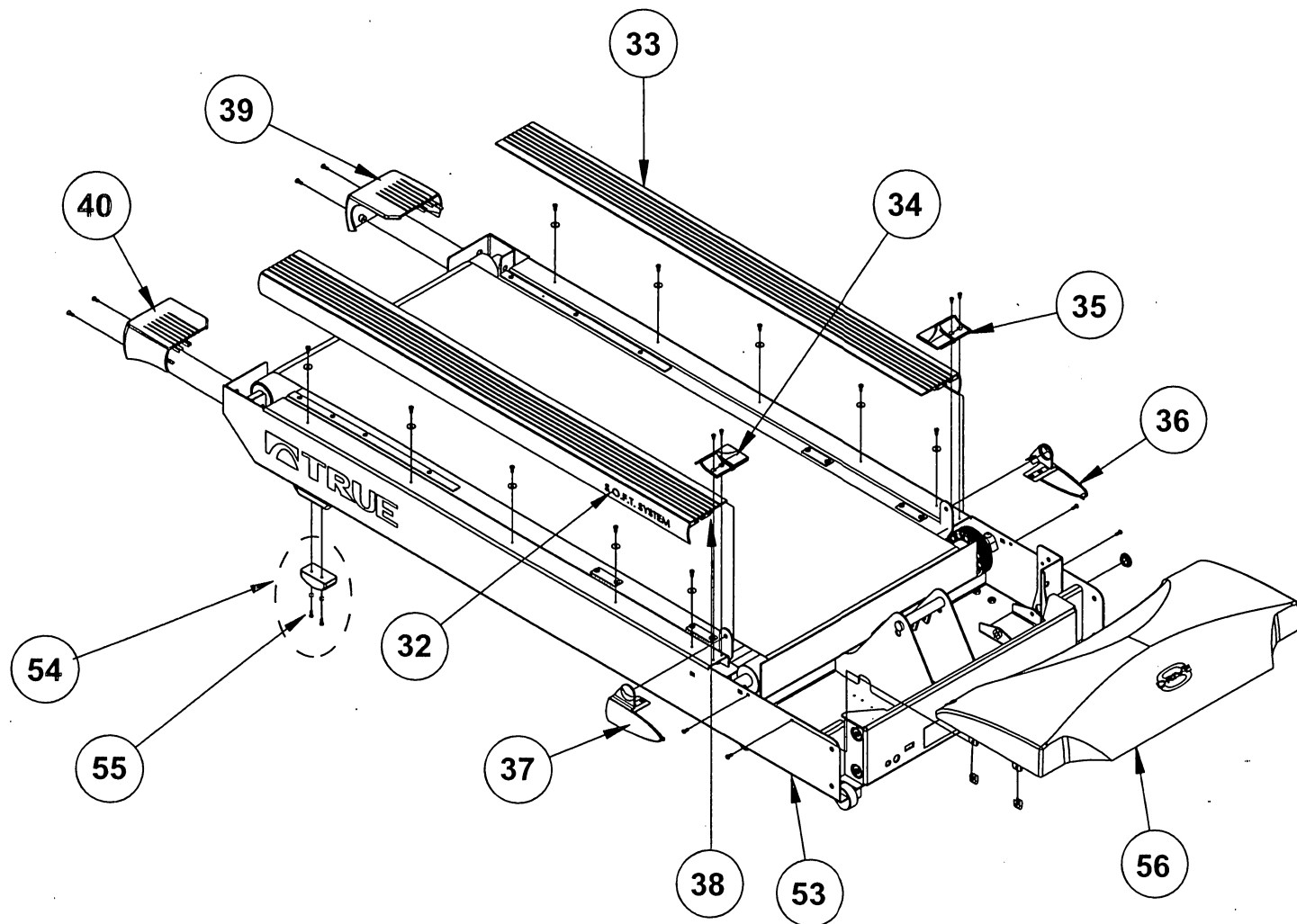


ZTX SERIES TREADMILL  
Exploded View  
Deck & Frame Weldment Assembly

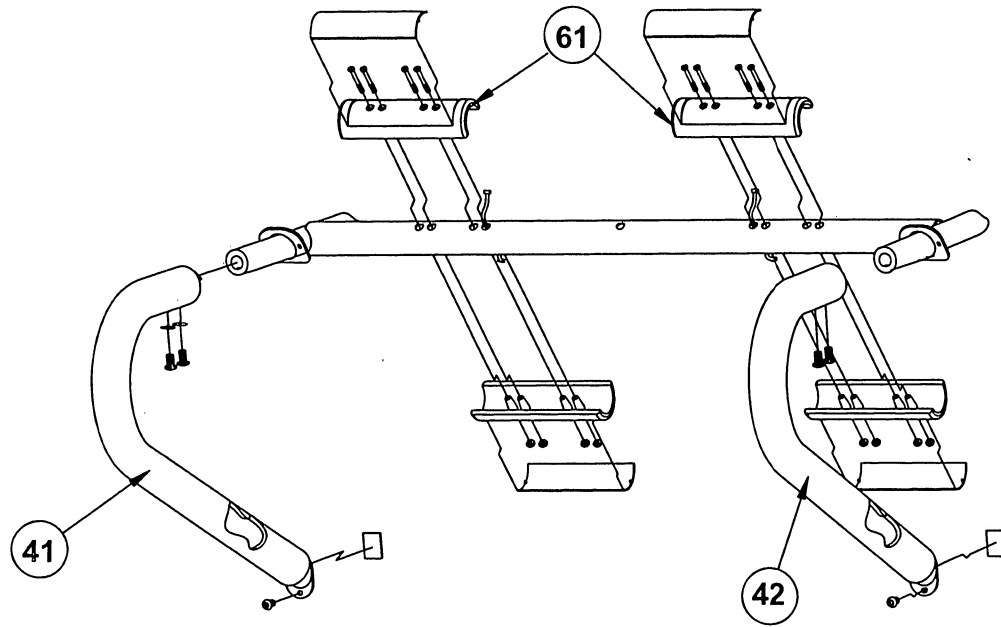




ZTX SERIES TREADMILL  
Exploded View  
Frame Weldment Assembly



ZTX SERIES TREADMILL  
Exploded View  
Handgrip Assembly



ZTX SERIES TREADMILL  
Exploded View  
Pedestal Assembly

