

# PART LIST—Model No. 831.23745.0

R1007A

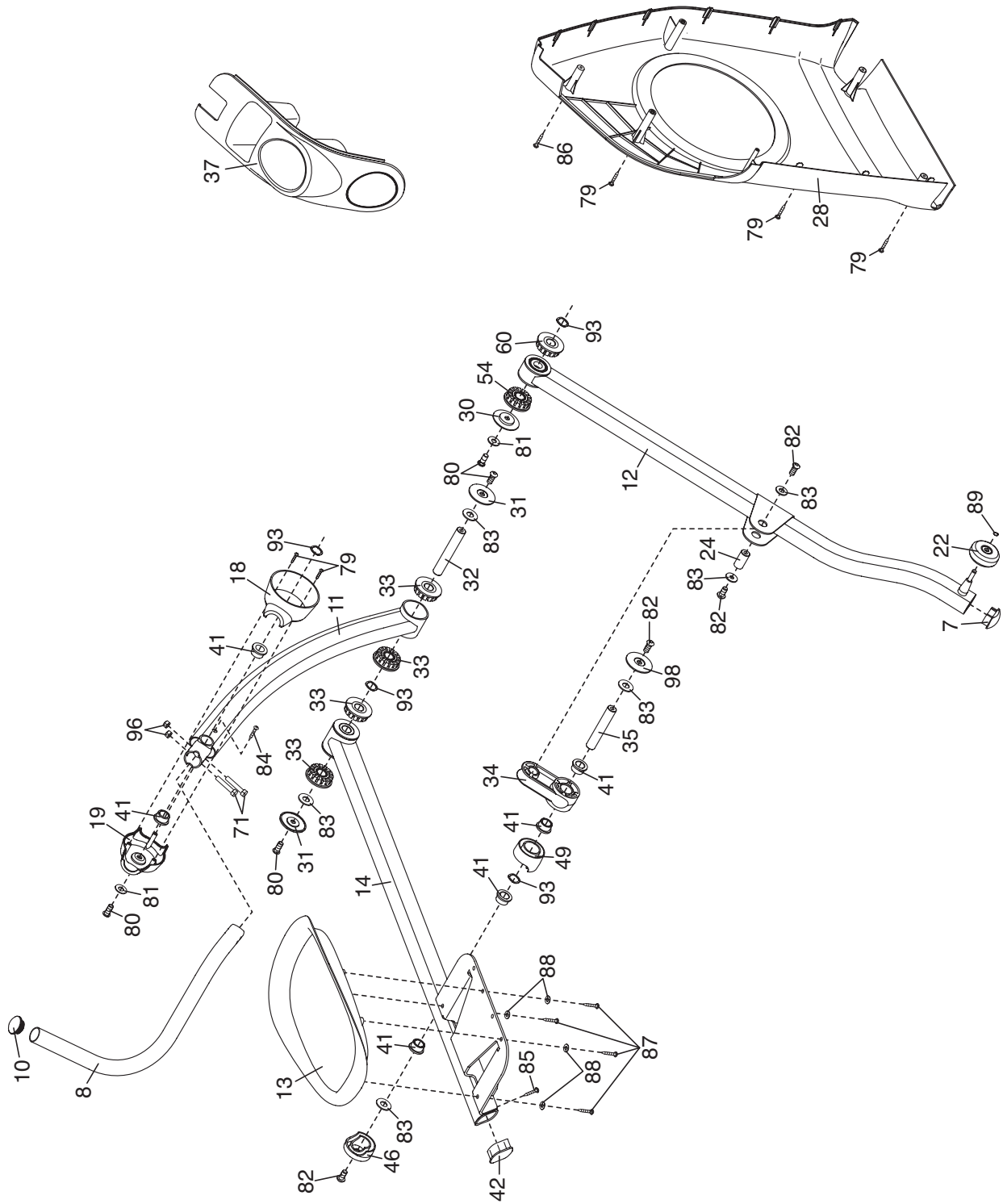
| Key No. | Qty. | Description           | Key No. | Qty. | Description                  |
|---------|------|-----------------------|---------|------|------------------------------|
| 1       | 1    | Base                  | 46      | 2    | Selector Cover               |
| 2       | 1    | Frame                 | 47      | 4    | Snap Ring                    |
| 3       | 2    | Outer Crank Arm Cover | 48      | 1    | Wire Harness                 |
| 4       | 2    | Inner Crank Arm Cover | 49      | 2    | Selector Spacer              |
| 5       | 1    | Console               | 50      | 1    | Reed Switch/Wire             |
| 6       | 1    | Upright               | 51      | 1    | Belt                         |
| 7       | 2    | Roller Cover          | 52      | 1    | Flywheel                     |
| 8       | 1    | Left Handlebar        | 53      | 1    | “C” Magnet                   |
| 9       | 1    | Right Handlebar       | 54      | 2    | Outer Bearing Set            |
| 10      | 2    | Handlebar Endcap      | 55      | 2    | Magnet                       |
| 11      | 2    | Handlebar Leg         | 56      | 1    | Spring                       |
| 12      | 1    | Left Roller Leg       | 57      | 1    | Idler                        |
| 13      | 1    | Left Pedal            | 58      | 1    | Flywheel Pulley              |
| 14      | 1    | Left Pedal Leg        | 59      | 1    | Clamp                        |
| 15      | 1    | Right Pedal           | 60      | 2    | Inner Bearing Set            |
| 16      | 1    | Right Pedal Leg       | 61      | 1    | Motor                        |
| 17      | 2    | Frame Cover           | 62      | 1    | Resistance Cable Pulley      |
| 18      | 2    | Inner Handlebar Cover | 63      | 1    | Resistance Cable Set         |
| 19      | 2    | Outer Handlebar Cover | 64      | 2    | Foam Grip                    |
| 20      | 2    | Axle Bearing          | 65      | 1    | Pivot Axle                   |
| 21      | 1    | Right Roller Leg      | 66      | 2    | Hub Cover                    |
| 22      | 2    | Roller                | 67      | 1    | Stop Screw                   |
| 23      | 1    | Rear Frame Cover      | 68      | 1    | Idler Screw                  |
| 24      | 2    | Roller Axle           | 69      | 1    | M8 Flange Screw              |
| 25      | 2    | Wheel                 | 70      | 4    | M8 x 35mm Screw              |
| 26      | 2    | Foot                  | 71      | 4    | M8 x 42mm Button Bolt        |
| 27      | 1    | Center Frame Cover    | 72      | 2    | M10 Split Washer             |
| 28      | 1    | Left Side Shield      | 73      | 10   | M4 x 12mm Flange Screw       |
| 29      | 1    | Right Side Shield     | 74      | 8    | M8 x 25mm Screw              |
| 30      | 2    | Crank Axle Cap        | 75      | 2    | 3/8" Flange Screw            |
| 31      | 4    | Axle Cap              | 76      | 2    | M10 Spacer                   |
| 32      | 2    | Pedal Leg Axle        | 77      | 2    | Pivot Bushing                |
| 33      | 8    | Axle Bushing          | 78      | 2    | M10 x 48mm Button Screw      |
| 34      | 2    | Selector              | 79      | 20   | M4 x 16mm Self-tapping Screw |
| 35      | 2    | Selector Axle         | 80      | 8    | M10 x 23mm Shoulder Screw    |
| 36      | 2    | Crank Arm             | 81      | 4    | M10 x 20mm x 2mm Washer      |
| 37      | 1    | Convenience Tray      | 82      | 8    | M10 x 15mm Patch Screw       |
| 38      | 2    | Crank Hub             | 83      | 12   | M10 x 25mm x 1.5mm Washer    |
| 39      | 1    | Pulley Spacer         | 84      | 2    | M4 x 16mm Flange Screw       |
| 40      | 1    | Pulley                | 85      | 8    | M4 x 12mm Screw              |
| 41      | 12   | Axle Bushing          | 86      | 6    | M4 x 16mm Screw              |
| 42      | 2    | Pedal Leg Endcap      | 87      | 8    | M6 x 16mm Phillips Screw     |
| 43      | 1    | Crank Sleeve          | 88      | 8    | M6 Split Washer              |
| 44      | 2    | Crank Bearing Set     | 89      | 2    | “E” Clip                     |
| 45      | 1    | Crank                 | 90      | 1    | Cover                        |

|    |   |                           |    |   |                        |
|----|---|---------------------------|----|---|------------------------|
| 91 | 4 | M4 x 65mm Screw           | 97 | 2 | M10 x 62mm Button Bolt |
| 92 | 1 | M4 x 12mm Screw           | 98 | 2 | Selector Axle Cap      |
| 93 | 8 | Wave Washer               | *  | – | Hex Key                |
| 94 | 2 | M10 X 35mm Shoulder Screw | *  | – | Grease Packet          |
| 95 | 3 | M8 x 16mm Button Screw    | *  | – | User's Manual          |
| 96 | 6 | M8 Nylon Locknut          |    |   |                        |

Specifications are subject to change without notice. See the back cover of this manual for information about ordering replacement parts. \*These parts are not illustrated. **If a part is missing, call 1-888-533-1333.**

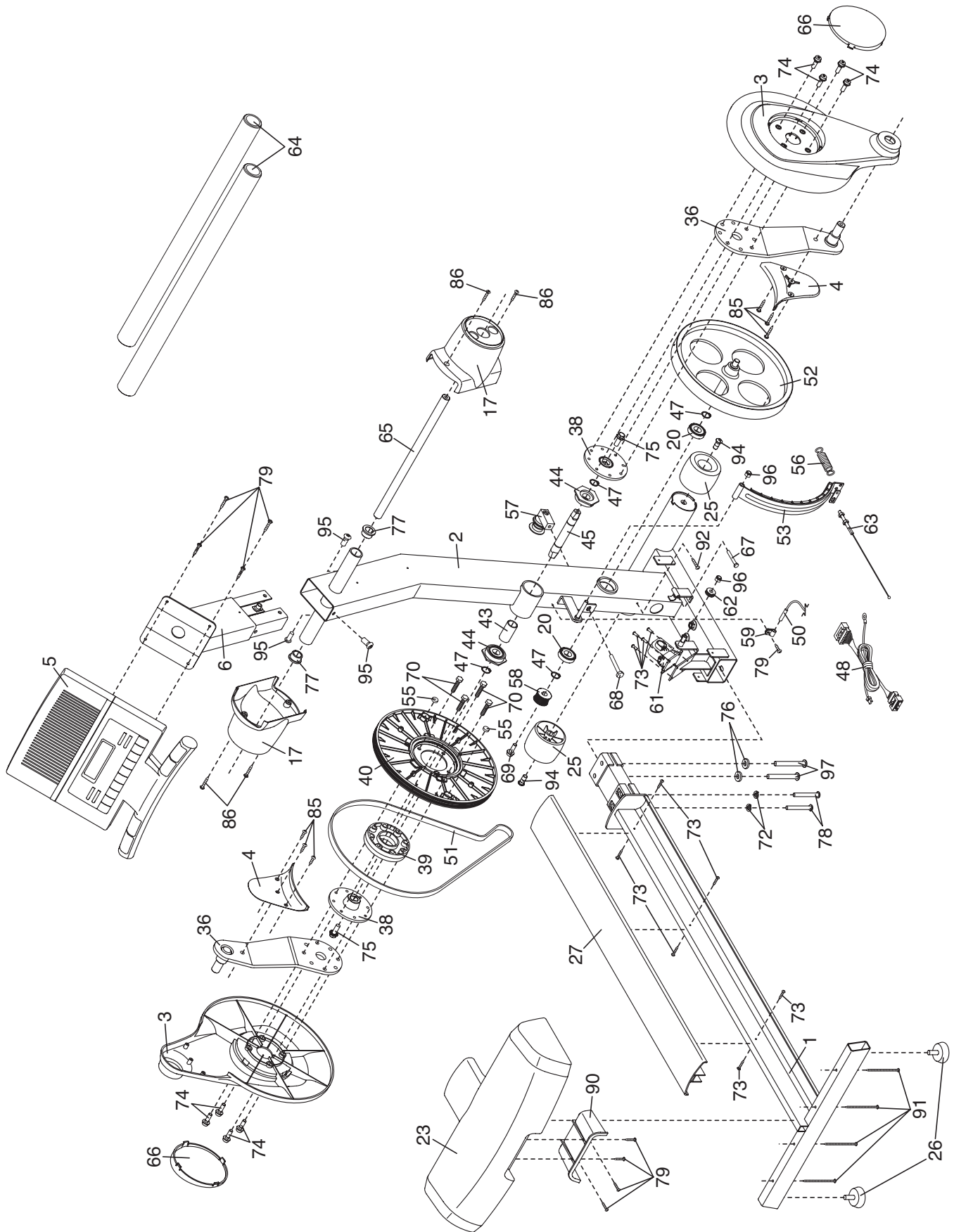
# EXPLODED DRAWING A—Model No. 831.23745.0

R1007A



# EXPLODED DRAWING B—Model No. 831.23745.0

R1007A



# EXPLODED DRAWING C—Model No. 831.23745.0

R1007A

