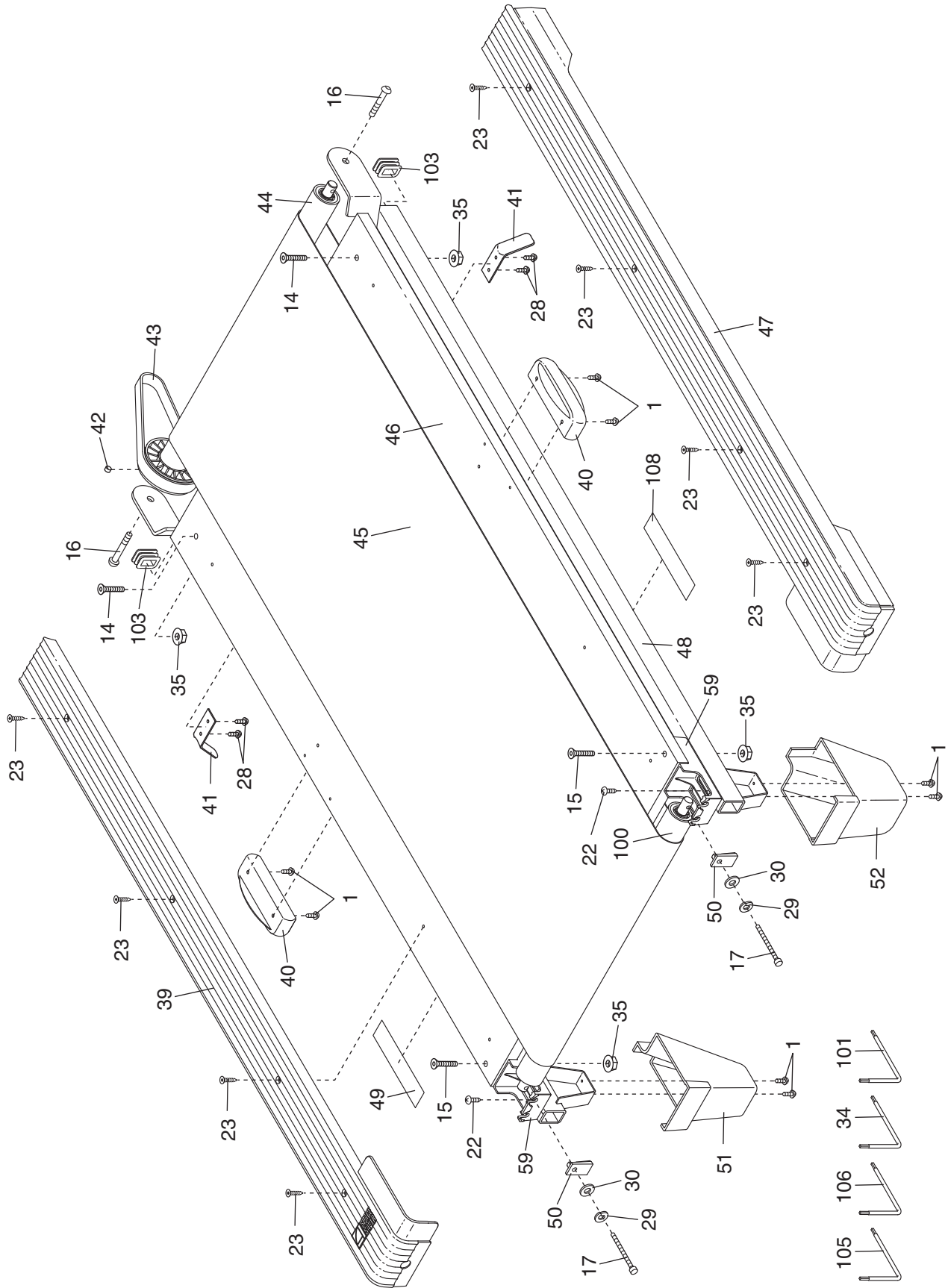


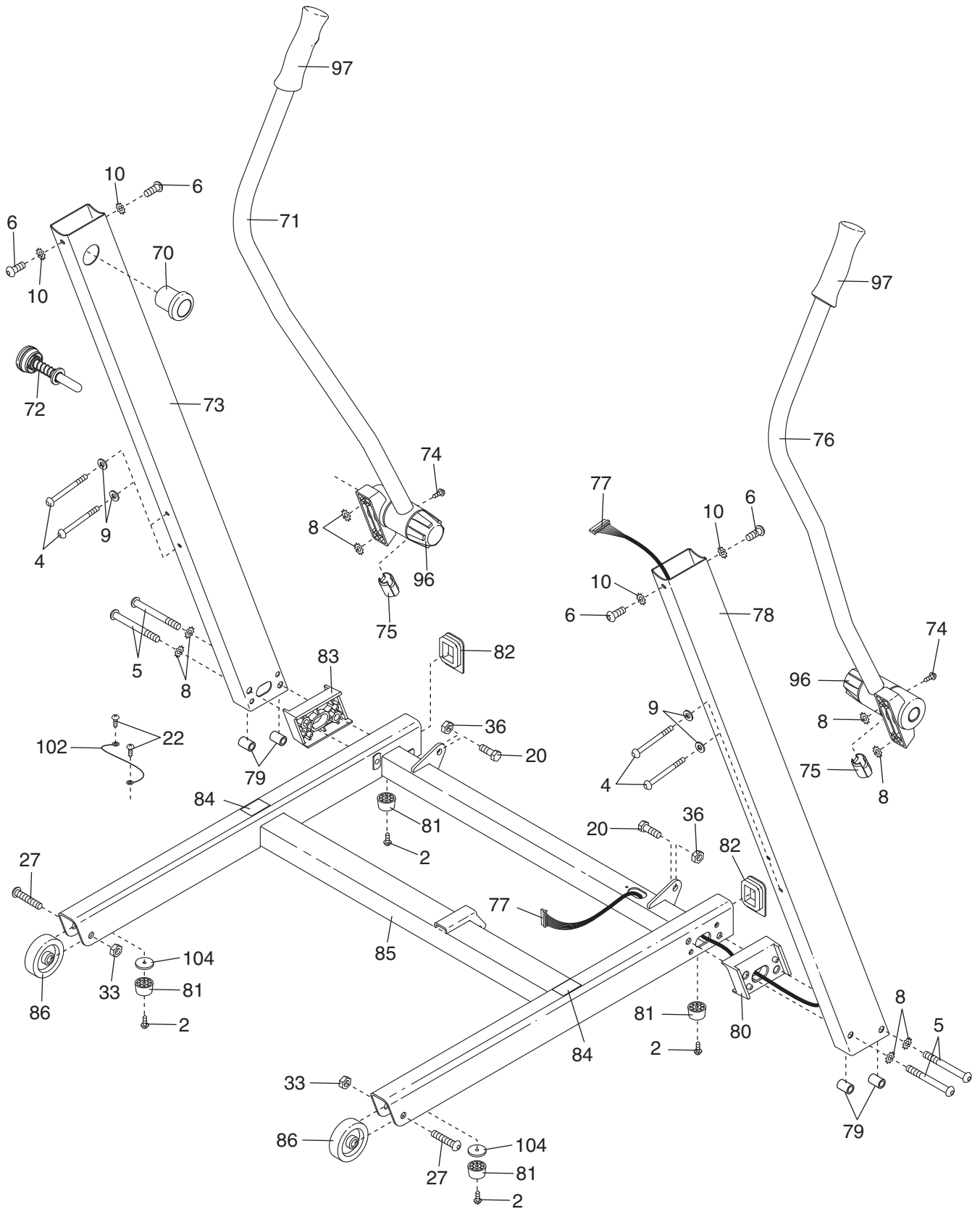
EXPLODED DRAWING A—Model No. 30754.0

R0707A



EXPLODED DRAWING C—Model No. 30754.0

R0707A



EXPLODED DRAWING D—Model No. 30754.0

R0707A

