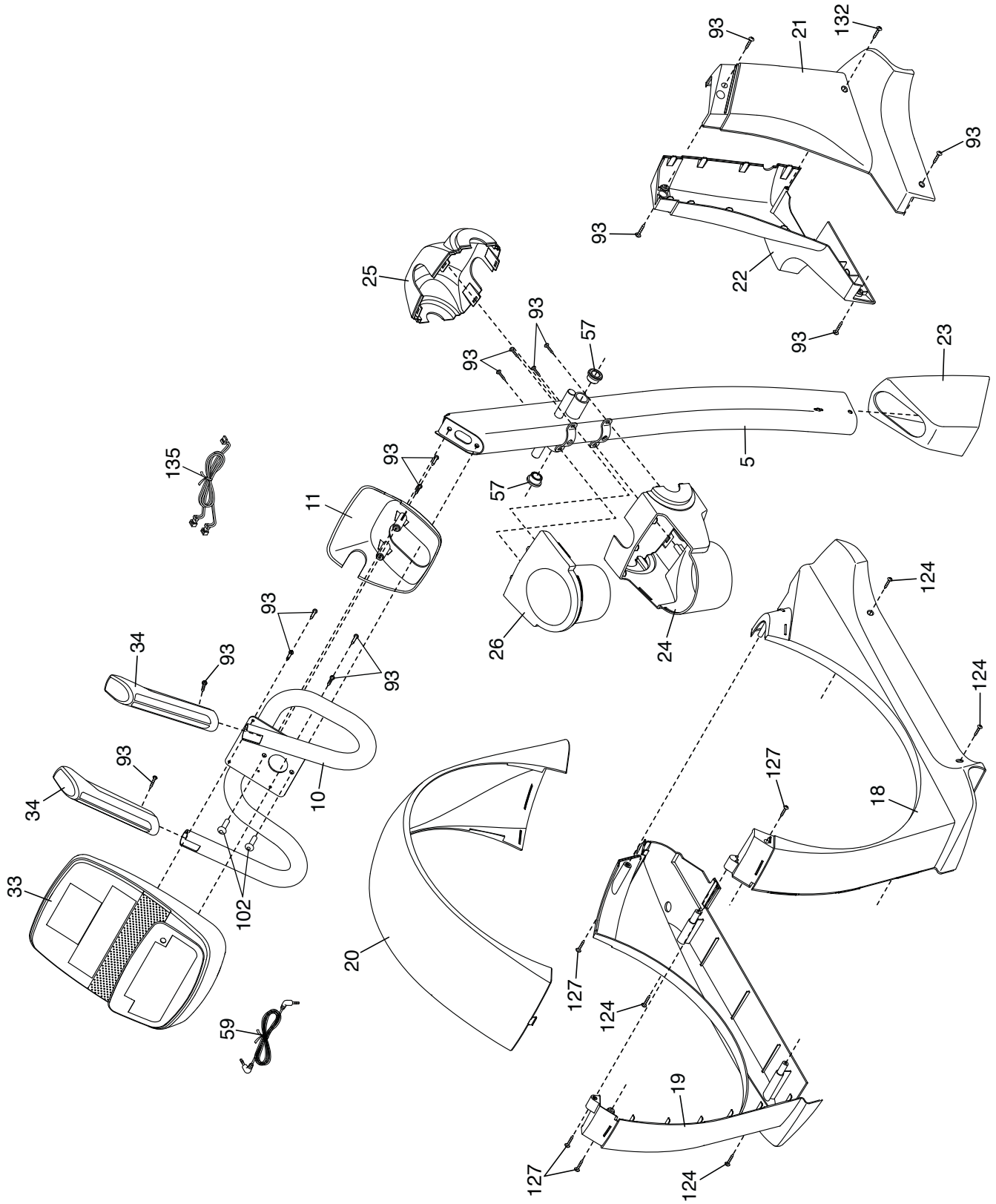


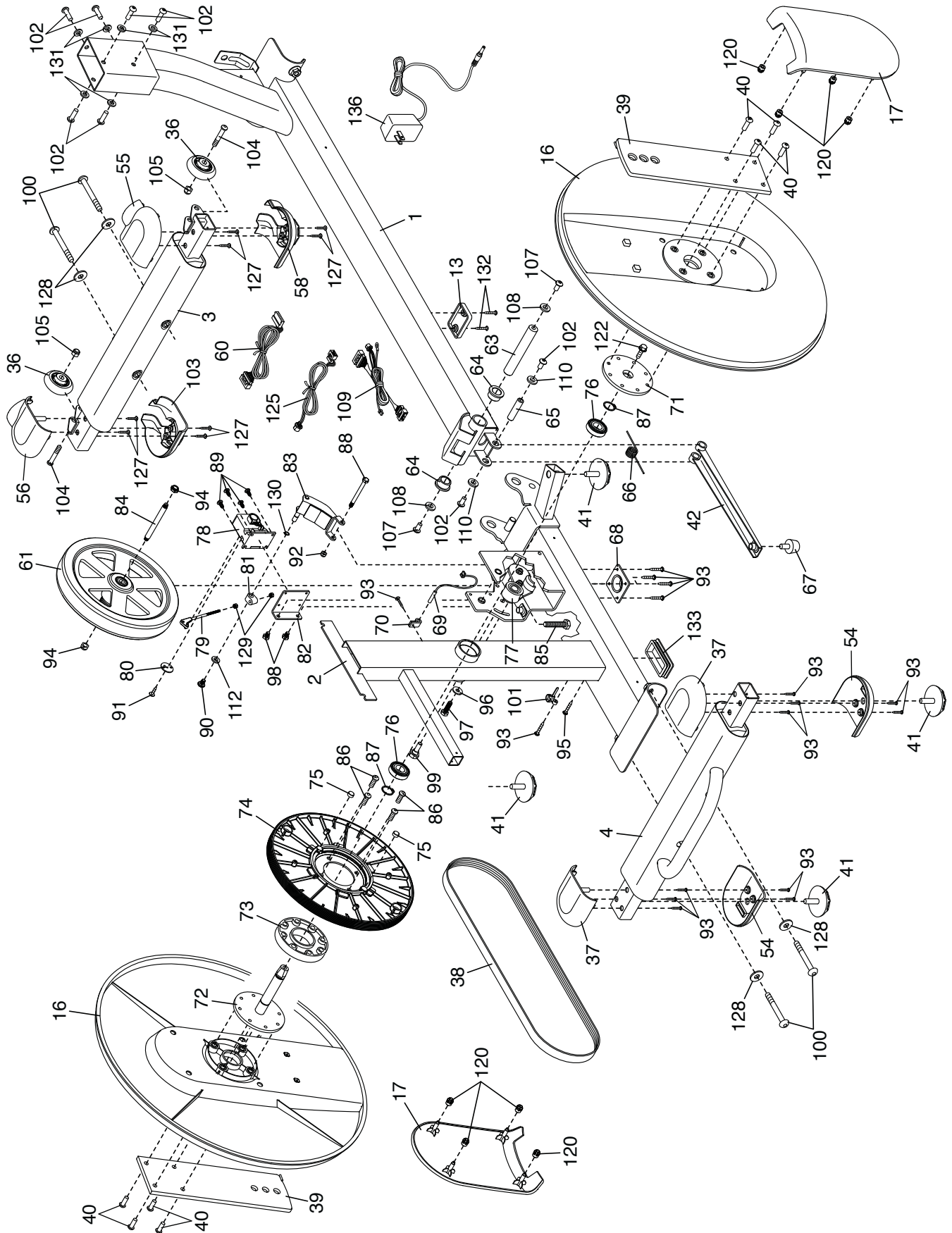
EXPLODED DRAWING A

Model No. PFEL55911.0 R0911A



EXPLODED DRAWING B

Model No. PFEL55911.0 R0911A



EXPLODED DRAWING C

Model No. PFEL55911.0 R0911A

