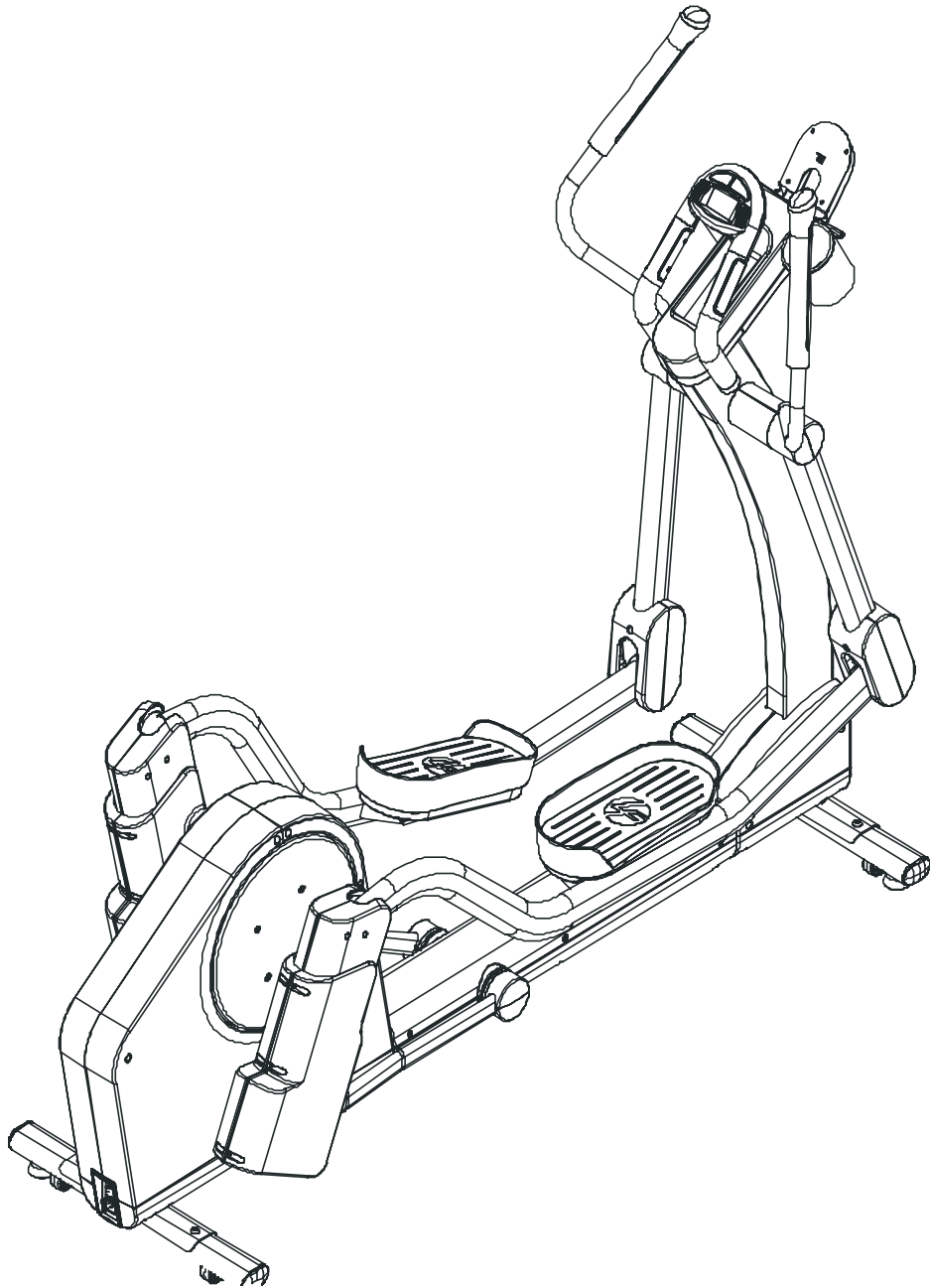


LifeFitness

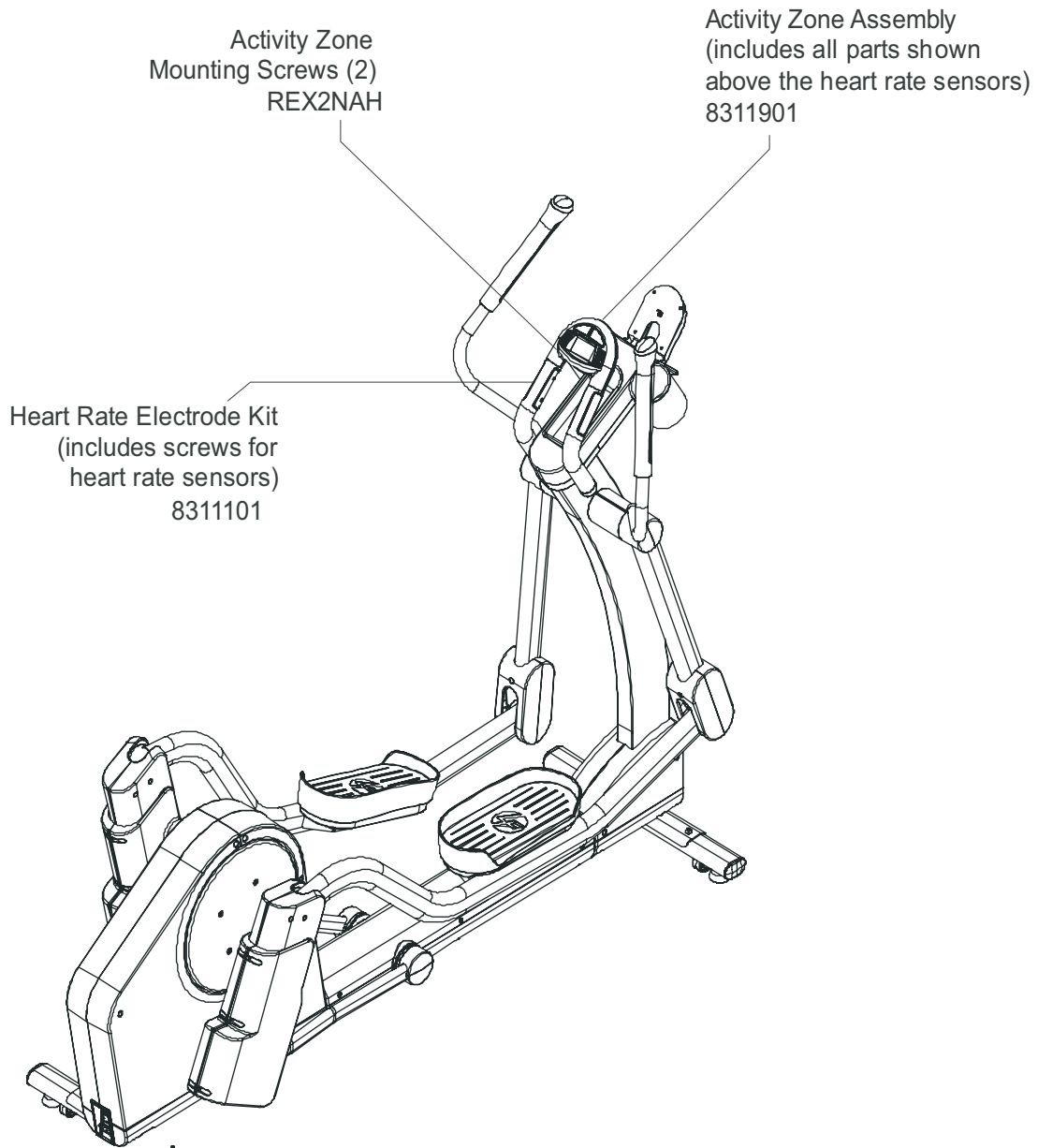
X7 Consumer Adjustable Stride Cross-trainer



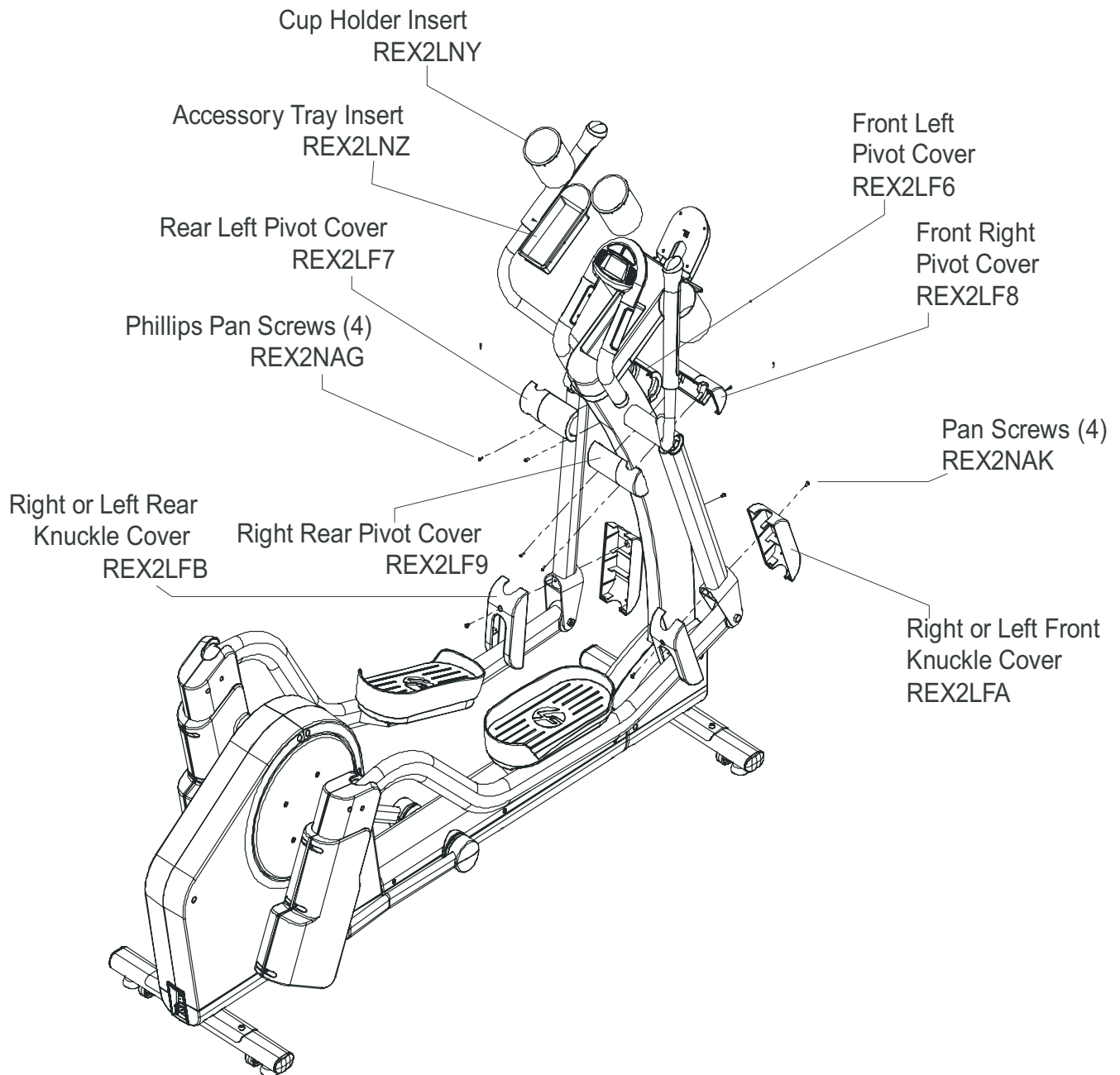
Customer Support Services
PARTS MANUAL rev 18 Jan 2010

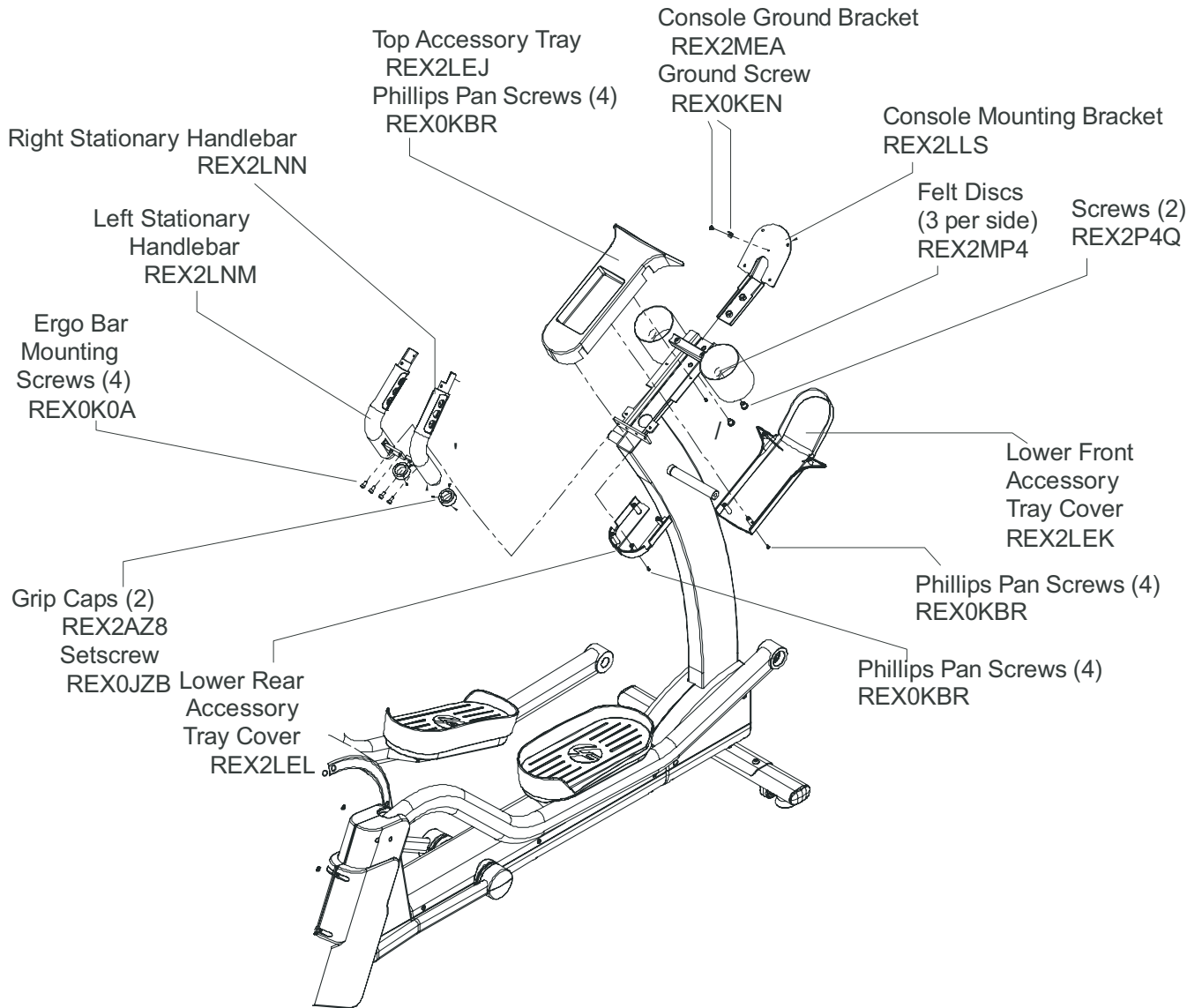
Console, Activity Zone, and Heart Rate Sensor Kit	3
Front Plastics	4
Console Support and Handlebars	5
Rocker Arm Assemblies and Hardware	6
Upright and Upright Shrouds	7
Pedal Lever Assemblies	8
Main Shrouds	9
Idler Assemblies and Covers	10
Crank-Related Components.....	11
Crank Pulley and Drive Belt	12
Actuators	13
Electronic Components.....	14
Brake and Tensioner Components	15
Stabilizer Components and Grommets.....	16
Cables and Miscellaneous	17

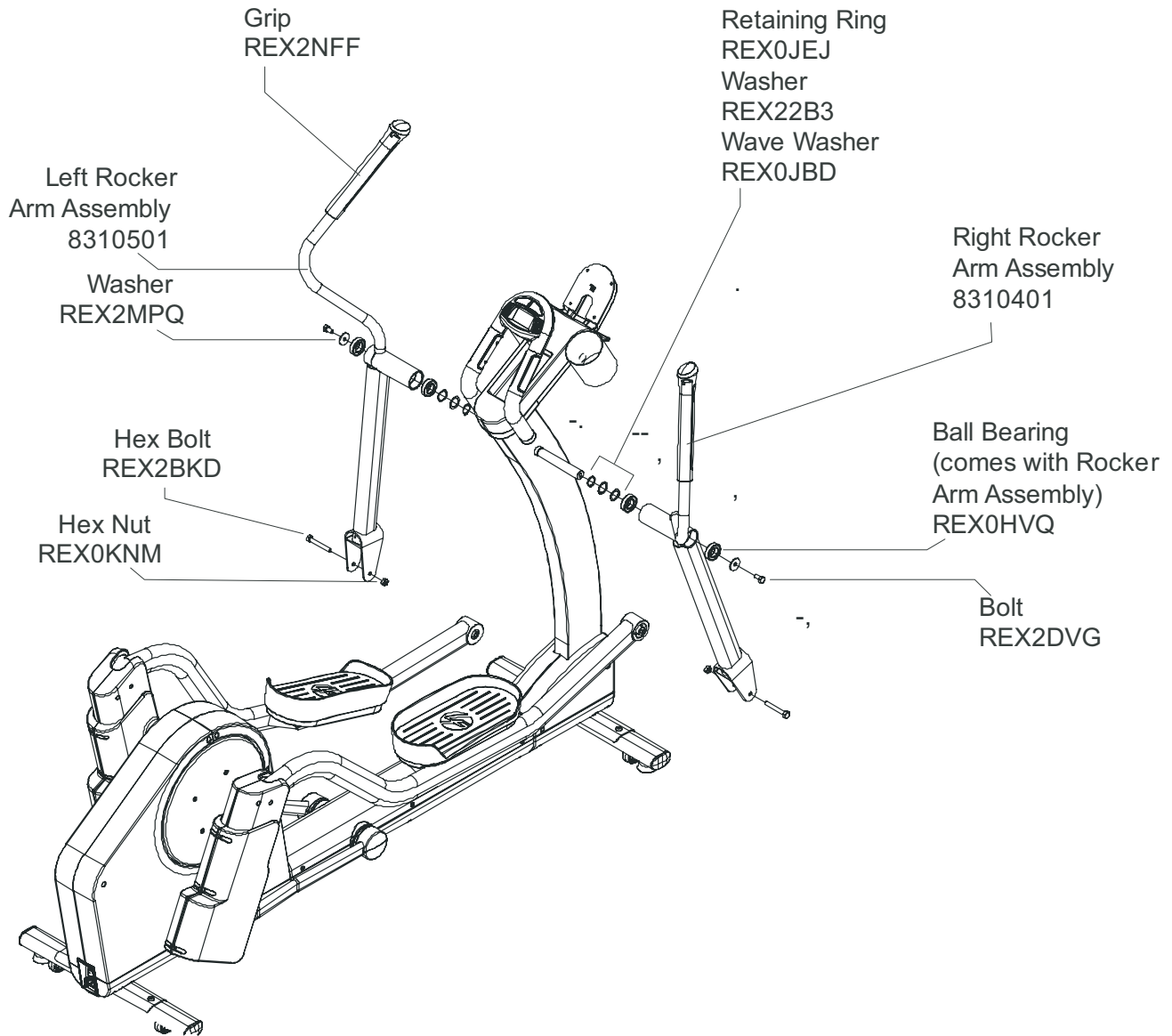
Console, Activity Zone, and Heart Rate Sensor Kit Assemblies

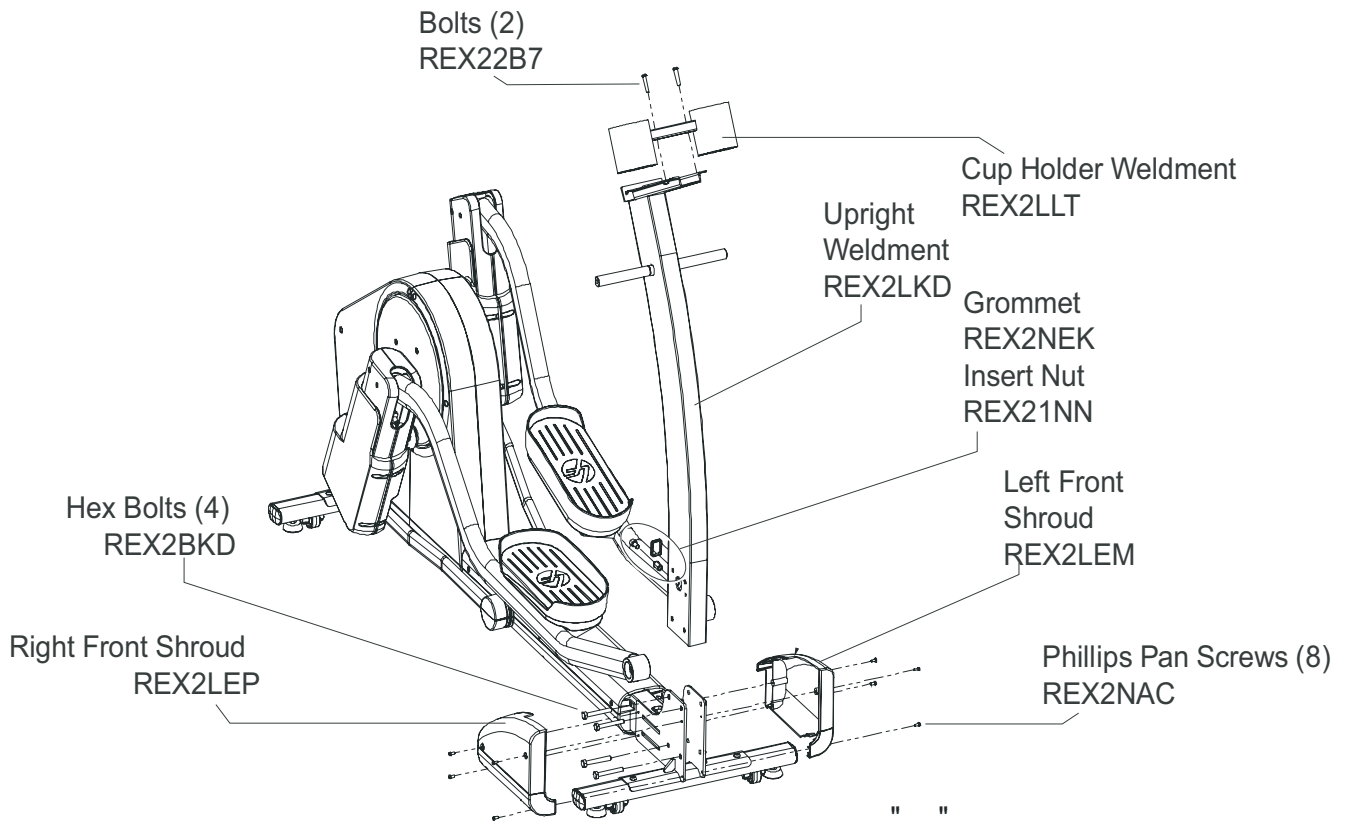


Consoles	
Description	Part No.
BASIC BIKE/CT CONSOLE ENG	BAS-000X-0203
BASIC BIKE/CT CONSOLE GER/MET	BAS-020X-0103
ADV BIKE/CT CONSOLE ENG	ADV-000X-0203
ADV BIKE/CT CONSOLE GER/MET	ADV-020X-0103





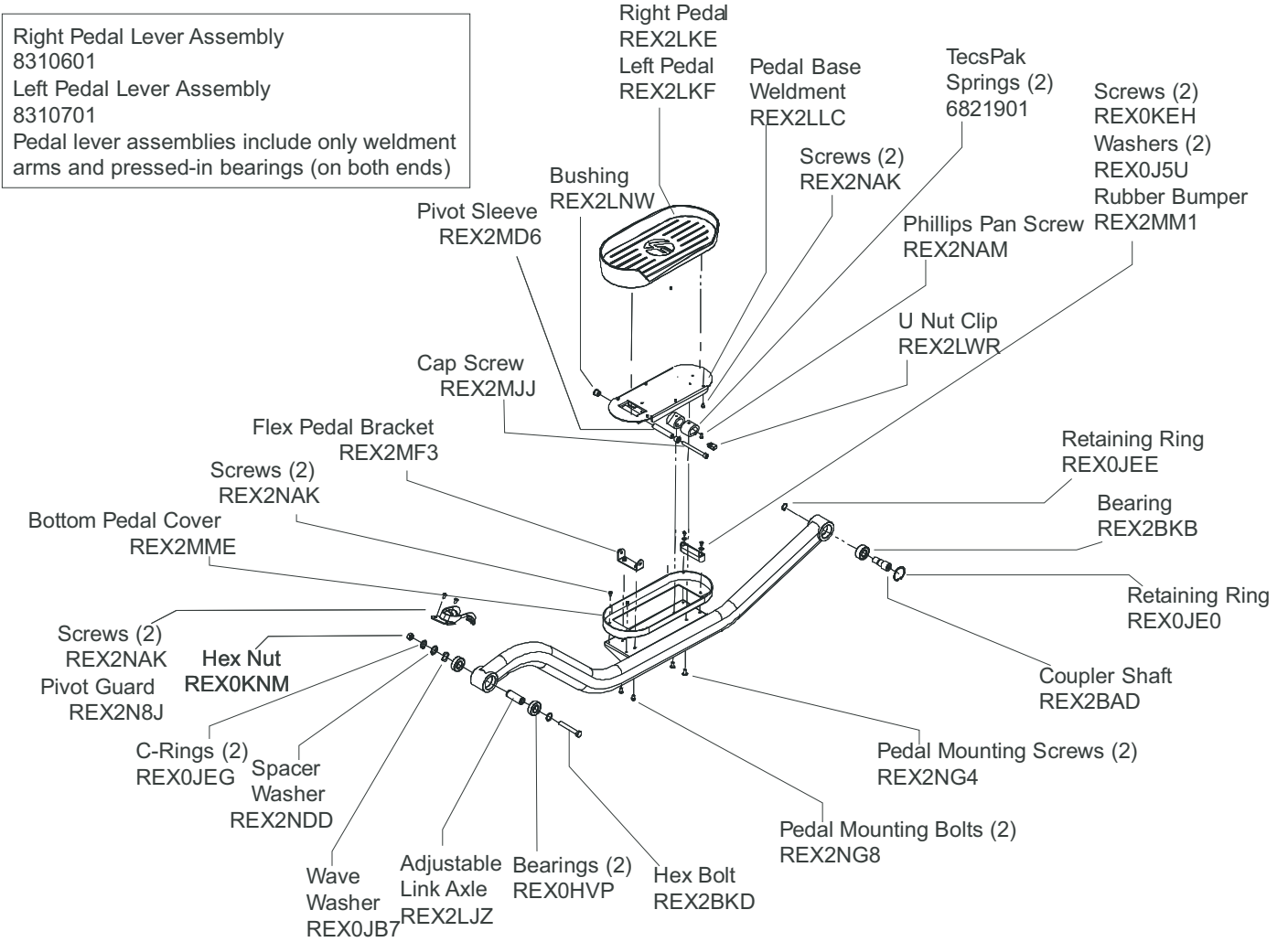




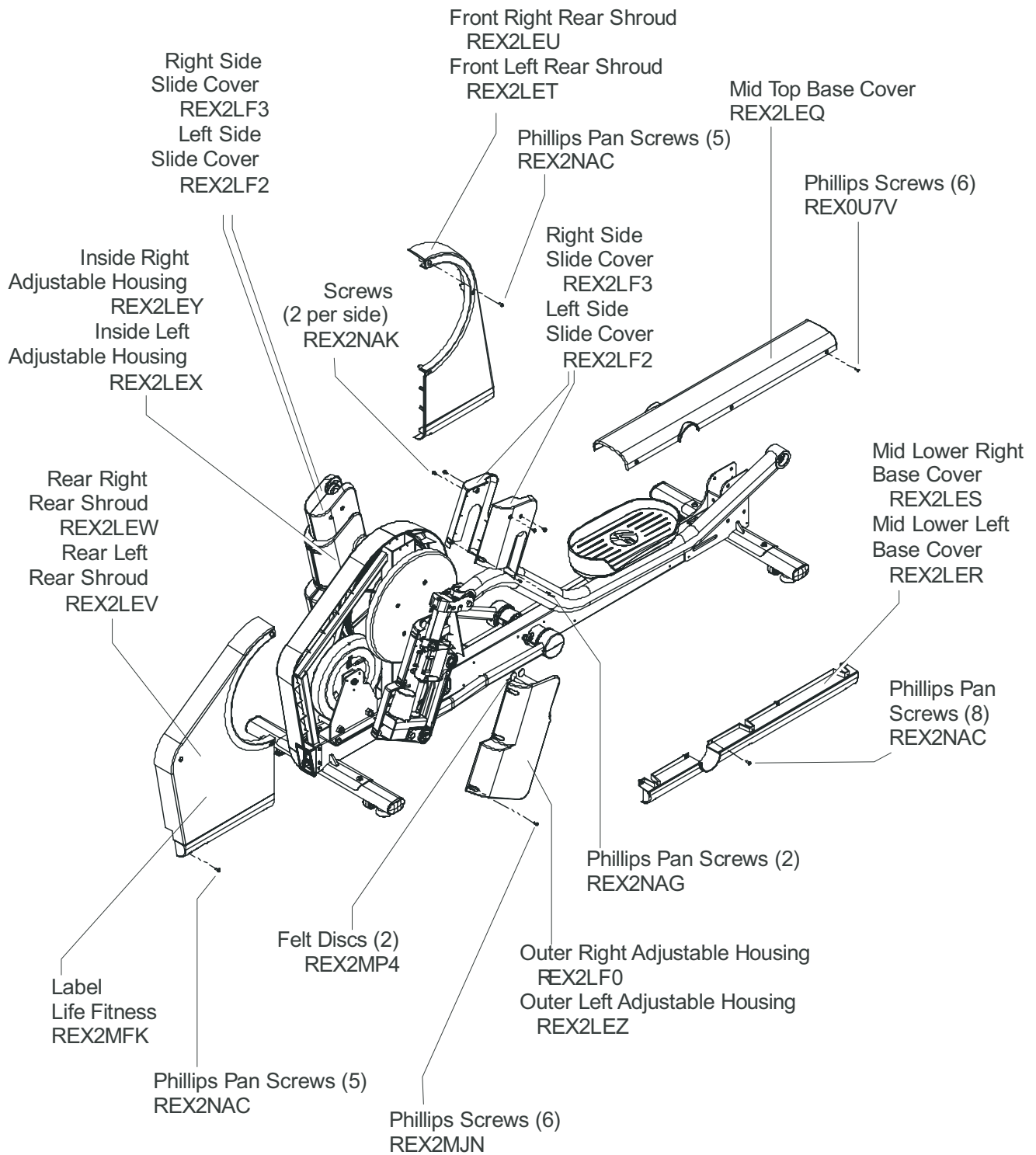
X7 Adjustable Stride Cross-trainer

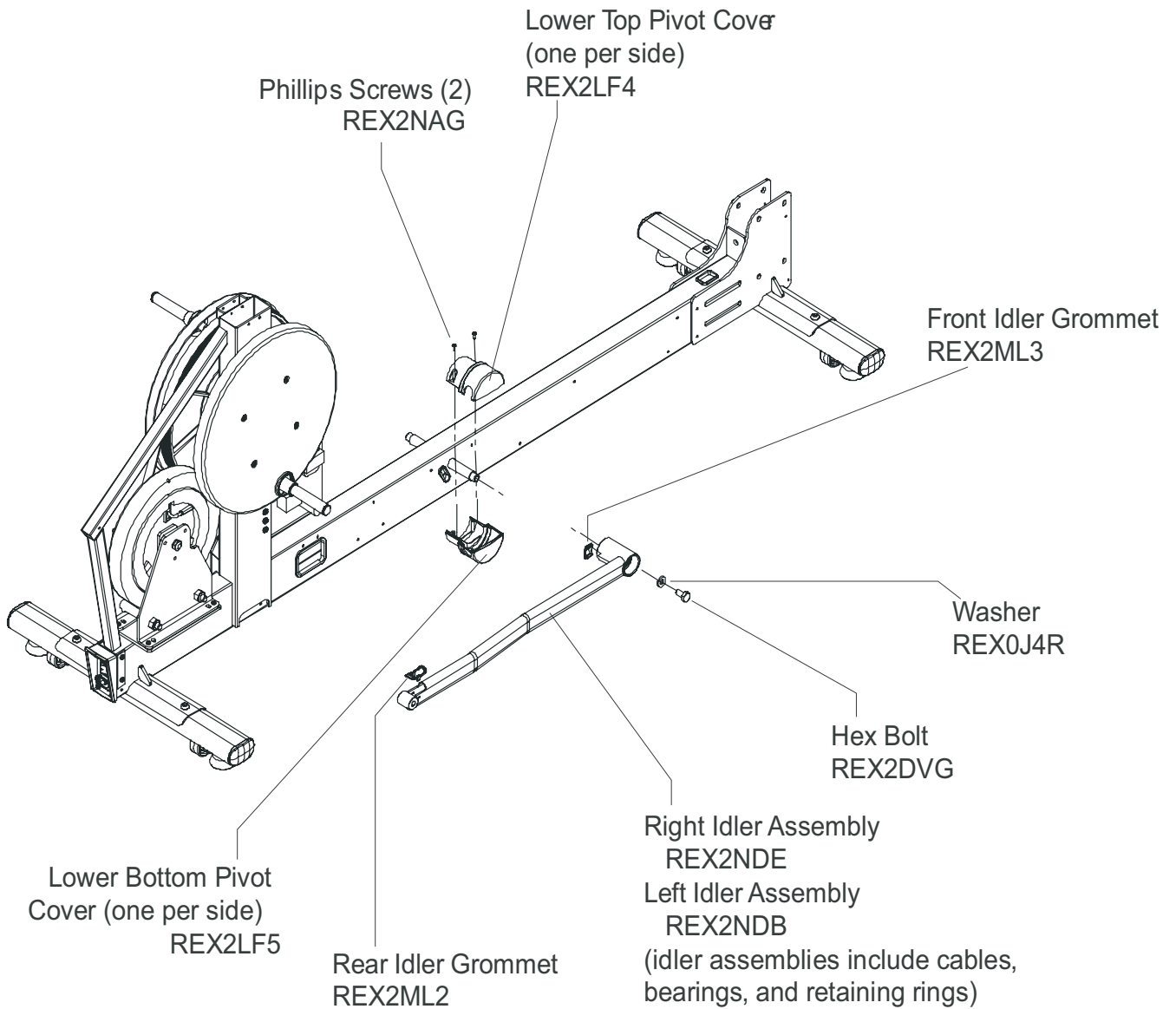
Pedal Lever Assemblies

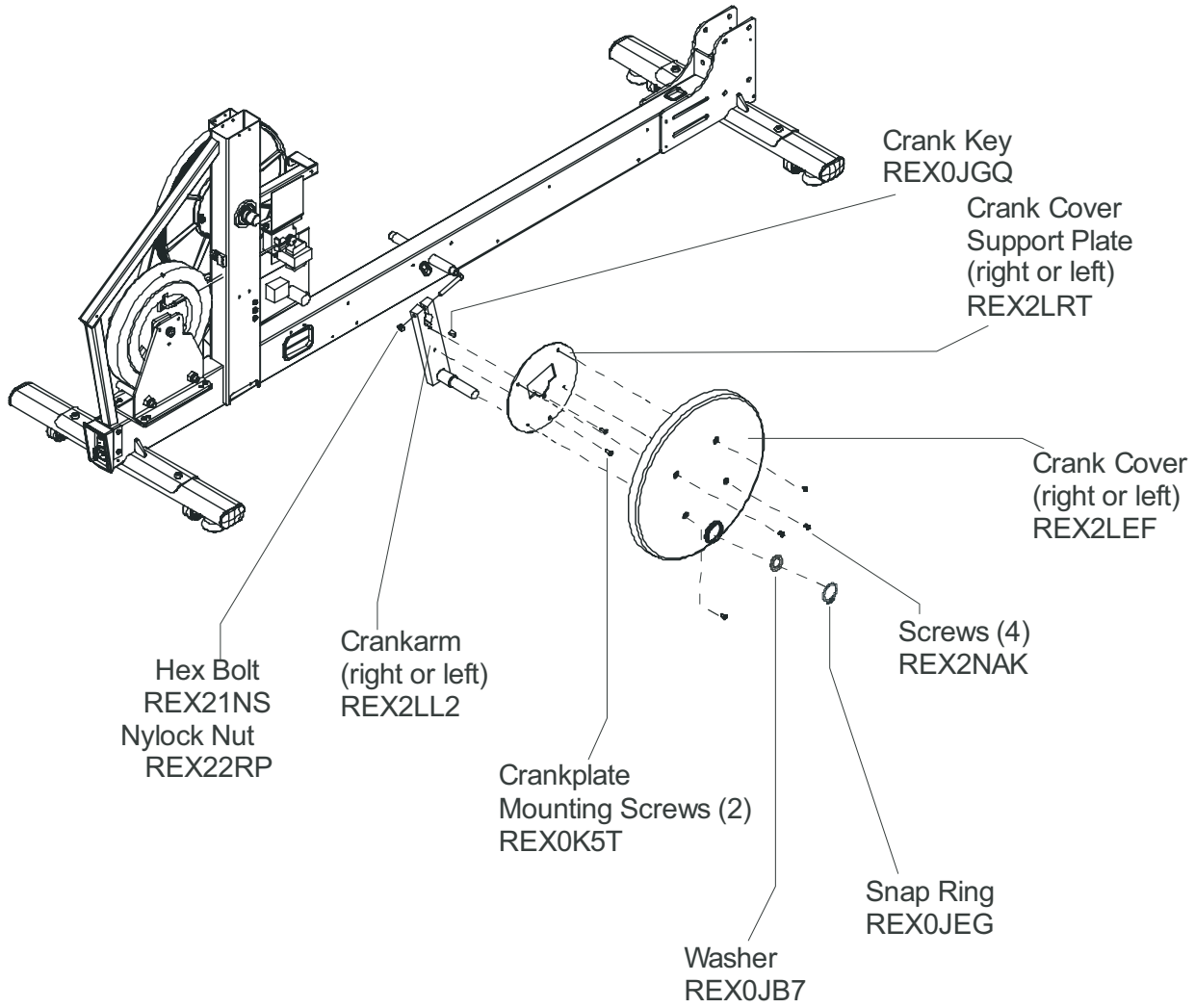
X7-XXXX-0103

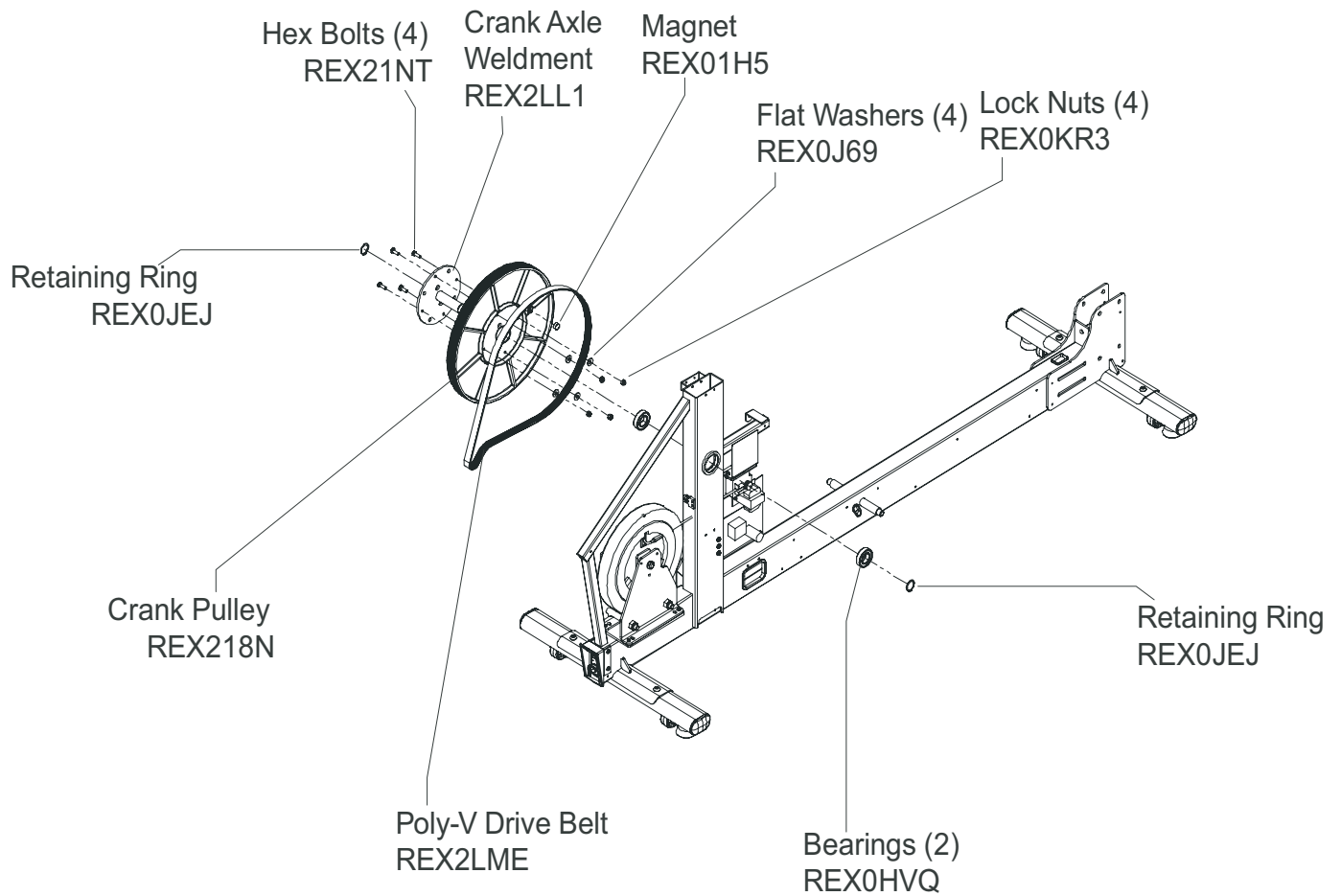


Main Shrouds









Actuators

120V Left Coupler Assembly

8310901

230V Left Coupler Assembly

8347201

Left Limit Switch Assembly

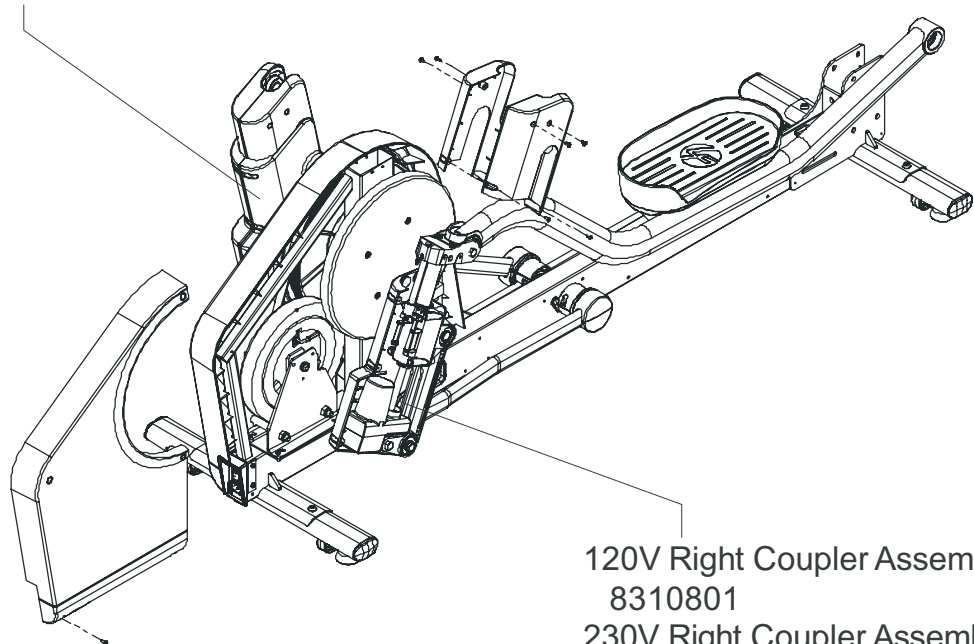
8625501

120V Left Actuator
REX2LQ6

230V Left Actuator
REX2MT7

Coupler Assemblies Include:

- Actuator
- Aluminum Frame
- Linear Bearings
- Upper Clevis Assembly
- Ball Bearings
- Guide Rod (REX2LJV)



120V Right Coupler Assembly

8310801

230V Right Coupler Assembly

8347101

Right Limit Switch Assembly

8329001

Limit Switch Assembly

Mounting Screws

(2 per assembly)

REX2NG7

120V Right Actuator
REX2LQ7

230V Right Actuator
REX2MT8

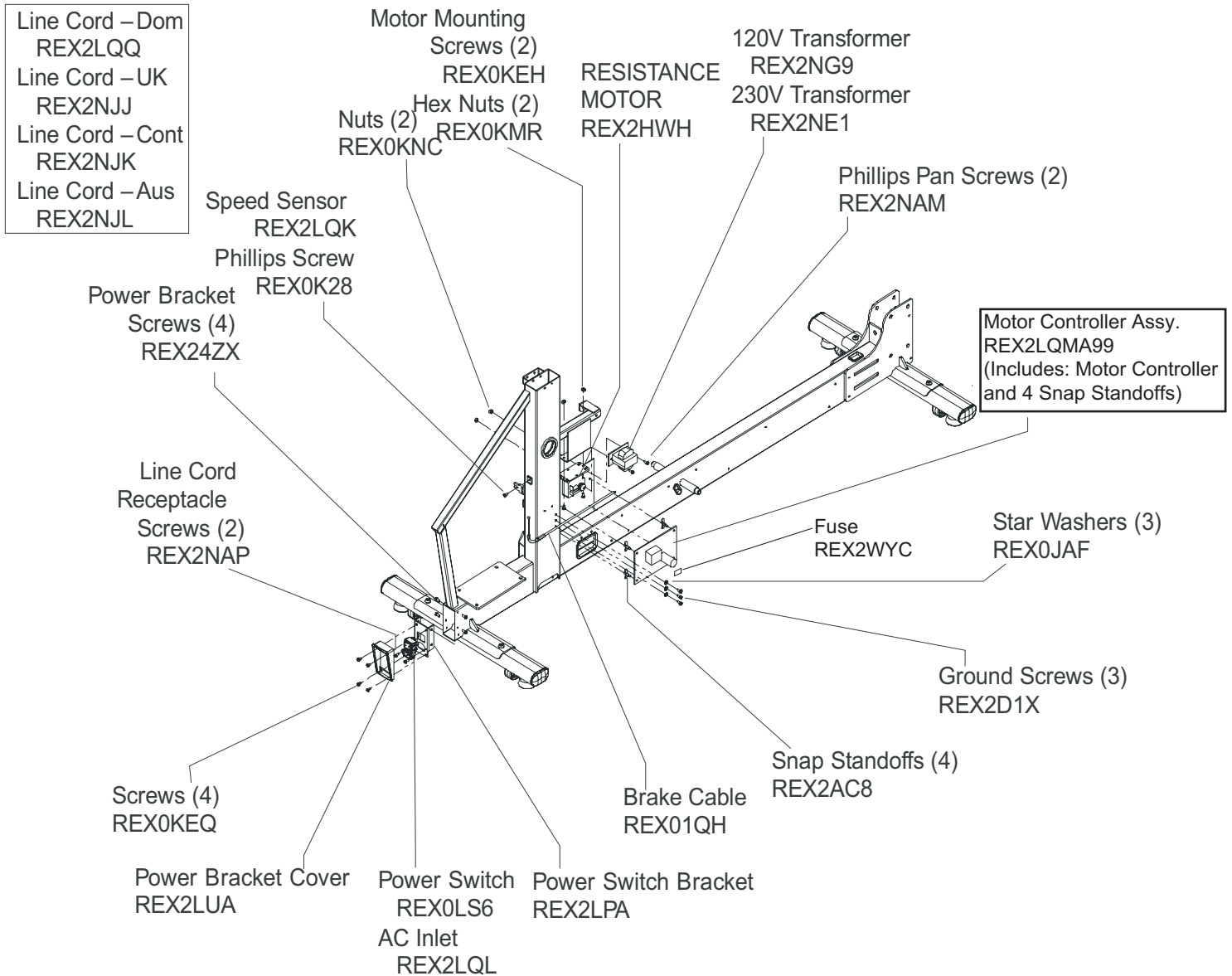
Guide Rod (not shown)
REX2LJV
(part mounts to upper
clevis assembly.
Actuates limit switch)

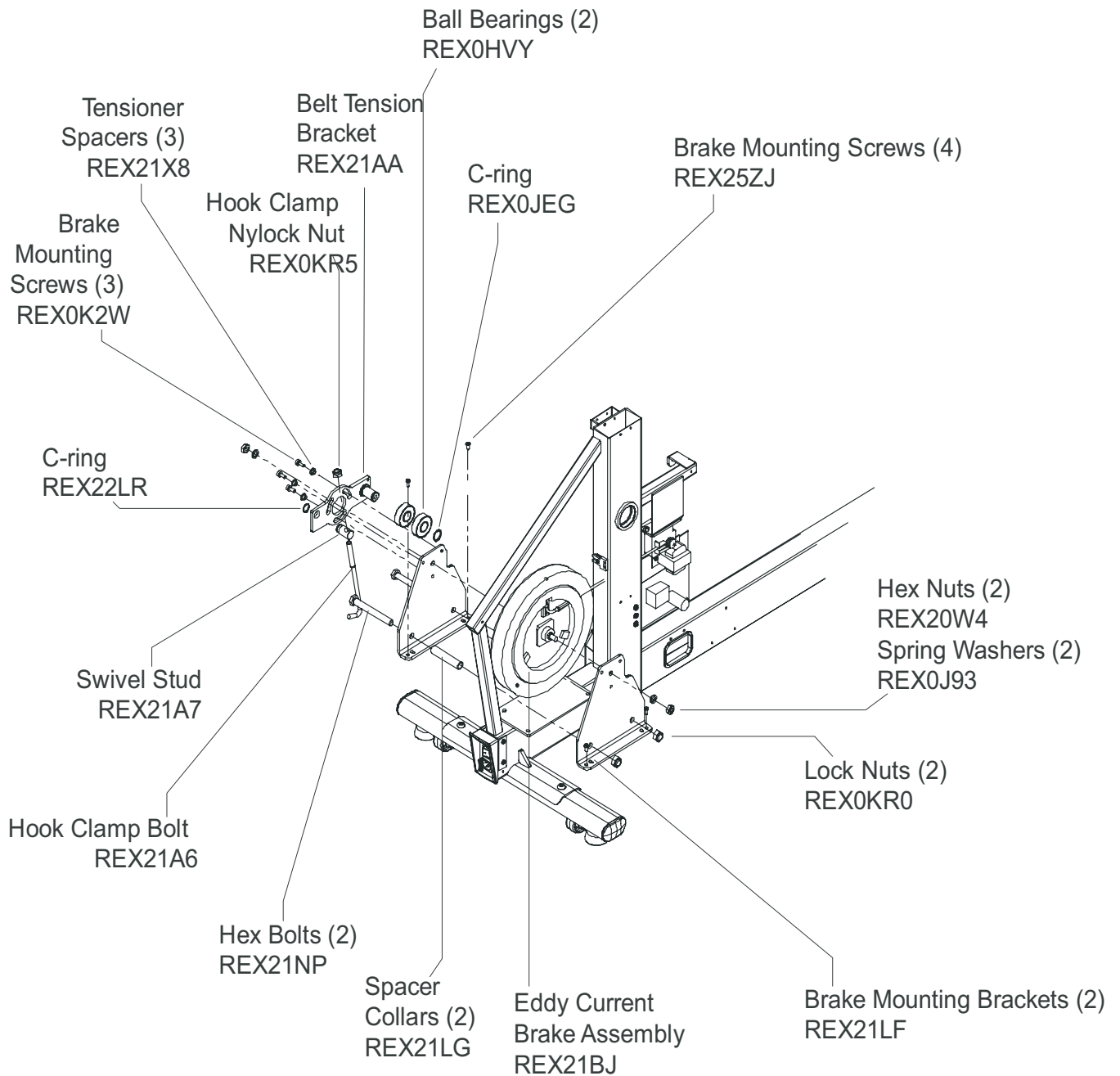


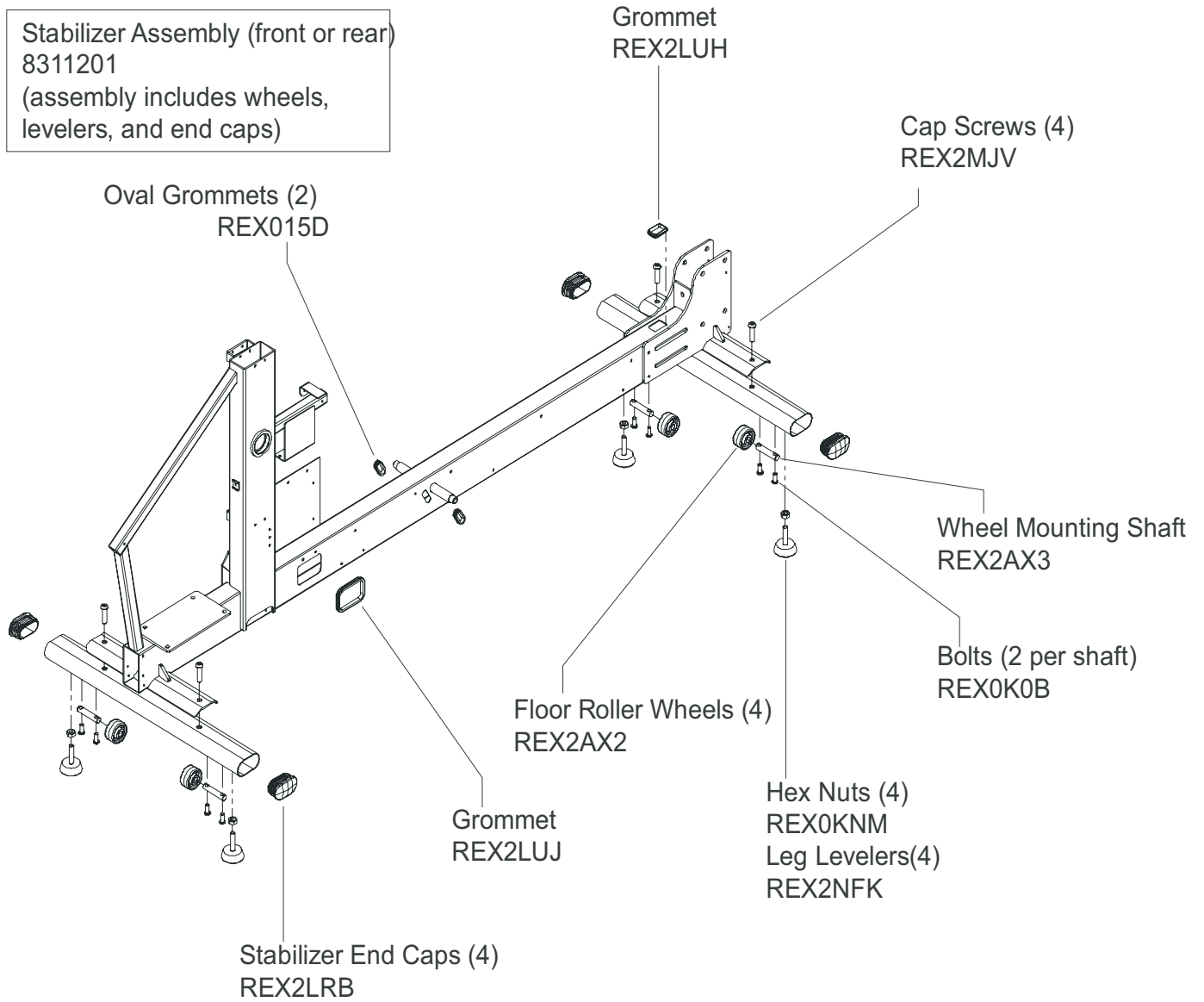
8762301 - Upper Coupler Service
Assembly (Left or Right) includes:
-Clevis
-Linear Actuator Rod
-Actuator Nut

X7 Adjustable Stride Cross-trainer
 Electronic Components

X7-XXXX-0103







Description	Part No.
User Pod to Console Cable	REX2LQF
HR Sensor to Console Cable	REX2LQH
Upright cable: Console to Motor Control Board	REX2LQA
Upright cable: User Pod to Motor Control Board	REX2LQD
Base cable: User Pod to Motor Control Board	REX2LQE
Base cable: Console to motor Control Board	REX2LQB
Grip cable: User Pod to Motor Control Board	REX2LQC
Grip cable: Heart Rate Sensor to Console	REX2LQJ
Grip cable: User Pod to Console	REX2LQG
English Operation Manual	8332401
Touchup Paint	8186301