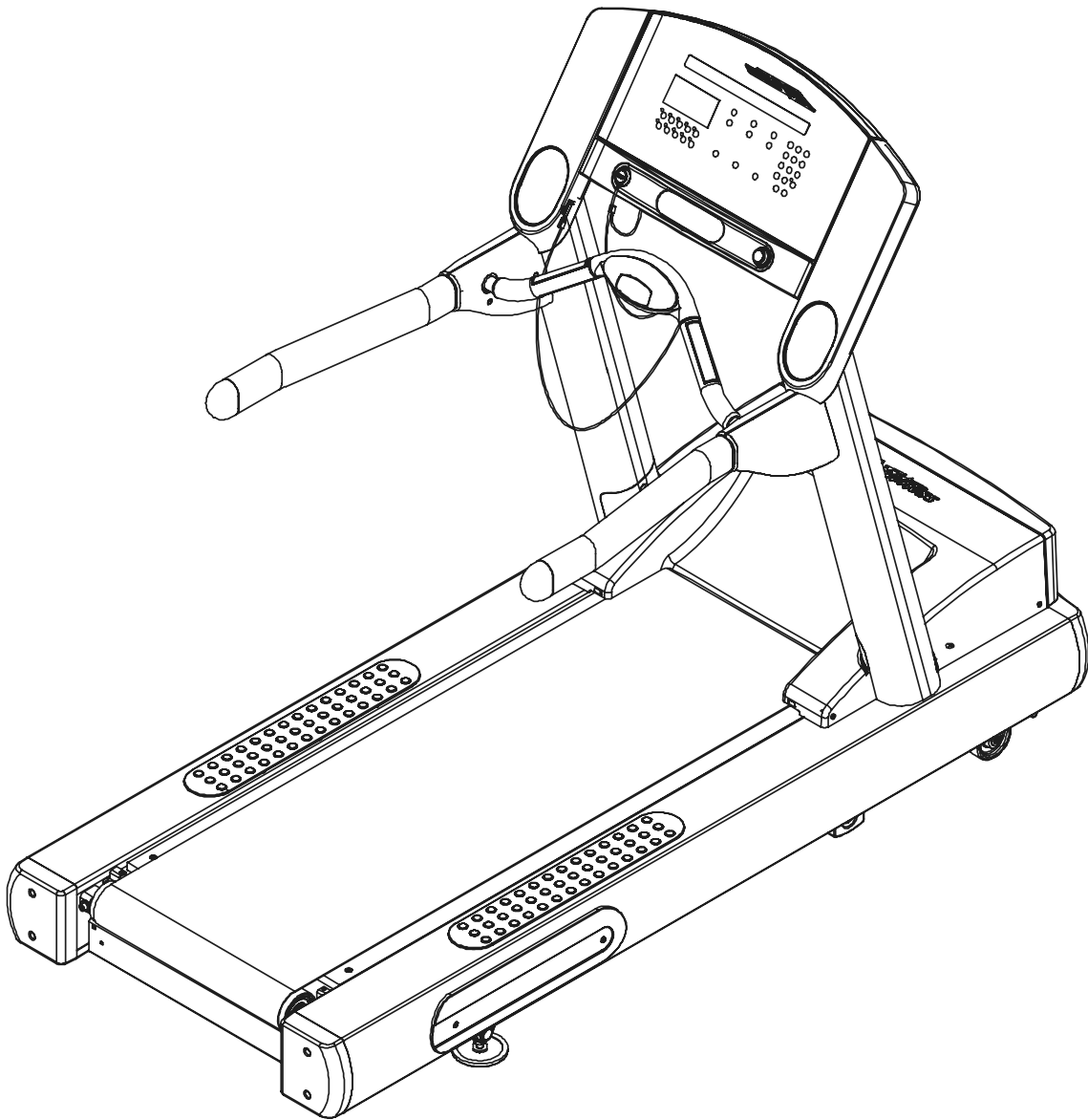


Life Fitness

Arctic Silver 95Ti Treadmill



Customer Support Services
PARTS MANUAL rev. 20 March 2014

ARCTIC SILVER 95Ti
REFERENCES

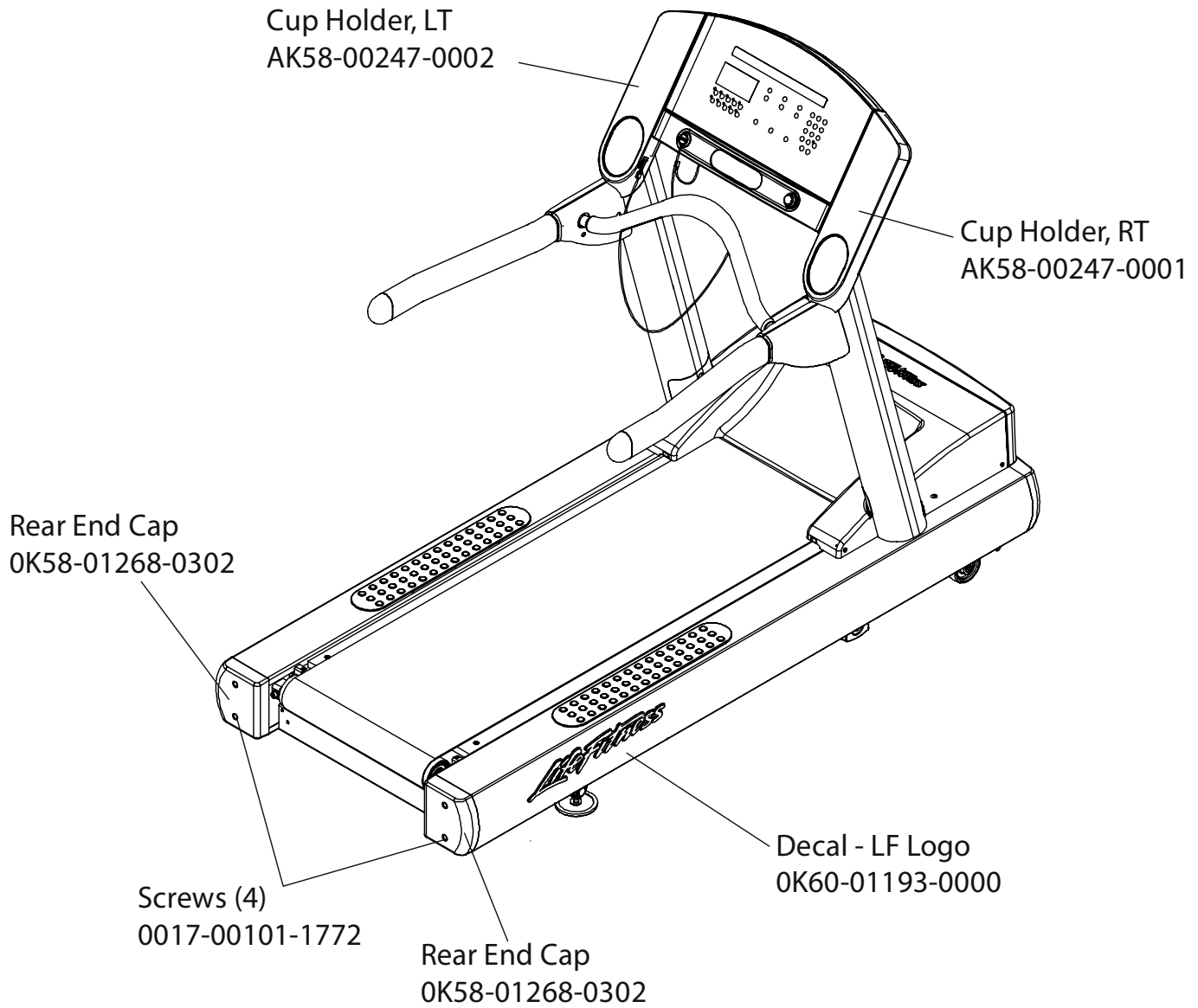
95T-0XXX-03
S/N ATT100000 and up

OPERATION MANUAL	M051-00K58-A177
SERVICE MANUAL	M051-00K58-A159
HARDWARE BAG	AK58-00226-0000
TOUCH UP PAINT: SPRAY CAN .5 OZ BOTTLE W/APPLICATOR .33 OZ PEN	0017-00008-0204 0017-00008-0205 0017-00008-0206
INSTALLATION VIDEO	M051-00K58-A160
SERVICE VIDEO	M051-00K58-A161

	Page
REAR ENDCAPS, AND CUP HOLDERS	4
SCUFF PAD, TINSEL AND FRAME TAG BOARD	5
CONSOLE AND RELATED COMPONENTS.....	6
UPRIGHTS, HANDRAILS AND ERGO BAR.....	7
MOTOR COVER, FRONT COVER AND ENDCAPS	8
BELT, DECK AND REAR ROLLER.....	9
LIFT FRAME AND MOTOR	10
WAX/LIFT ASSEMBLY.....	11
MOTOR CONTROLLER ASSEMBLY.....	12
DRIVE MOTOR ASSEMBLY	13
IDLER ARM ASSEMBLY AND STATIC BRUSH.....	14
LEG LEVELER ASSEMBLY.....	15
FRONT ROLLER ASSEMBLY.....	16
ERGO BAR WITH LIFE PULSE.....	17
POWER COMPONENTS SCHEMATIC	18
CABLES.....	19

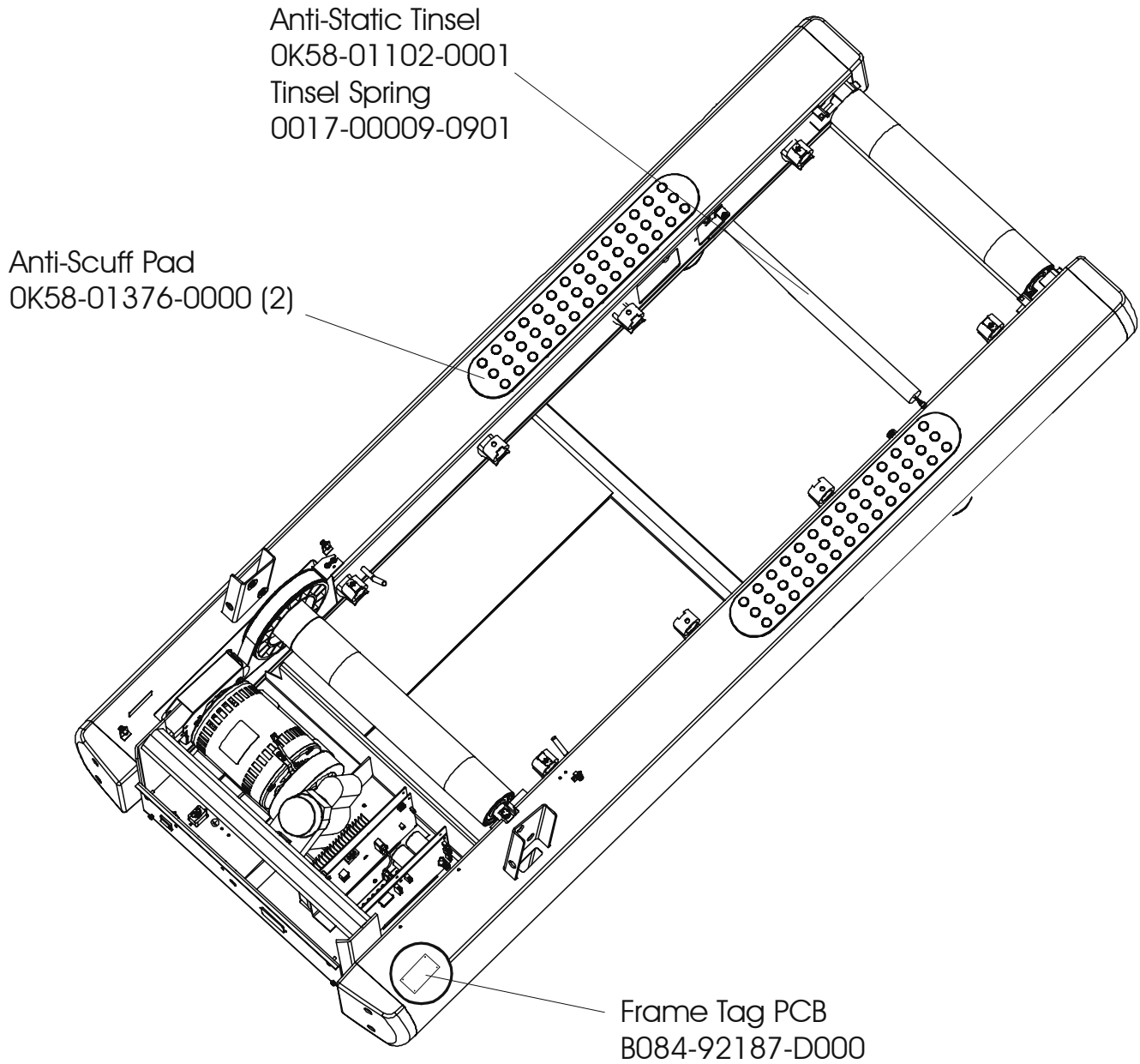
ARCTIC SILVER 95Ti
Rear Endcaps, and Cup Holders

95T-0XXX-03
S/N ATT100000 and up



ARCTIC SILVER 95Ti
Scuff Pad, Tinsel and Frame Tag Bd.

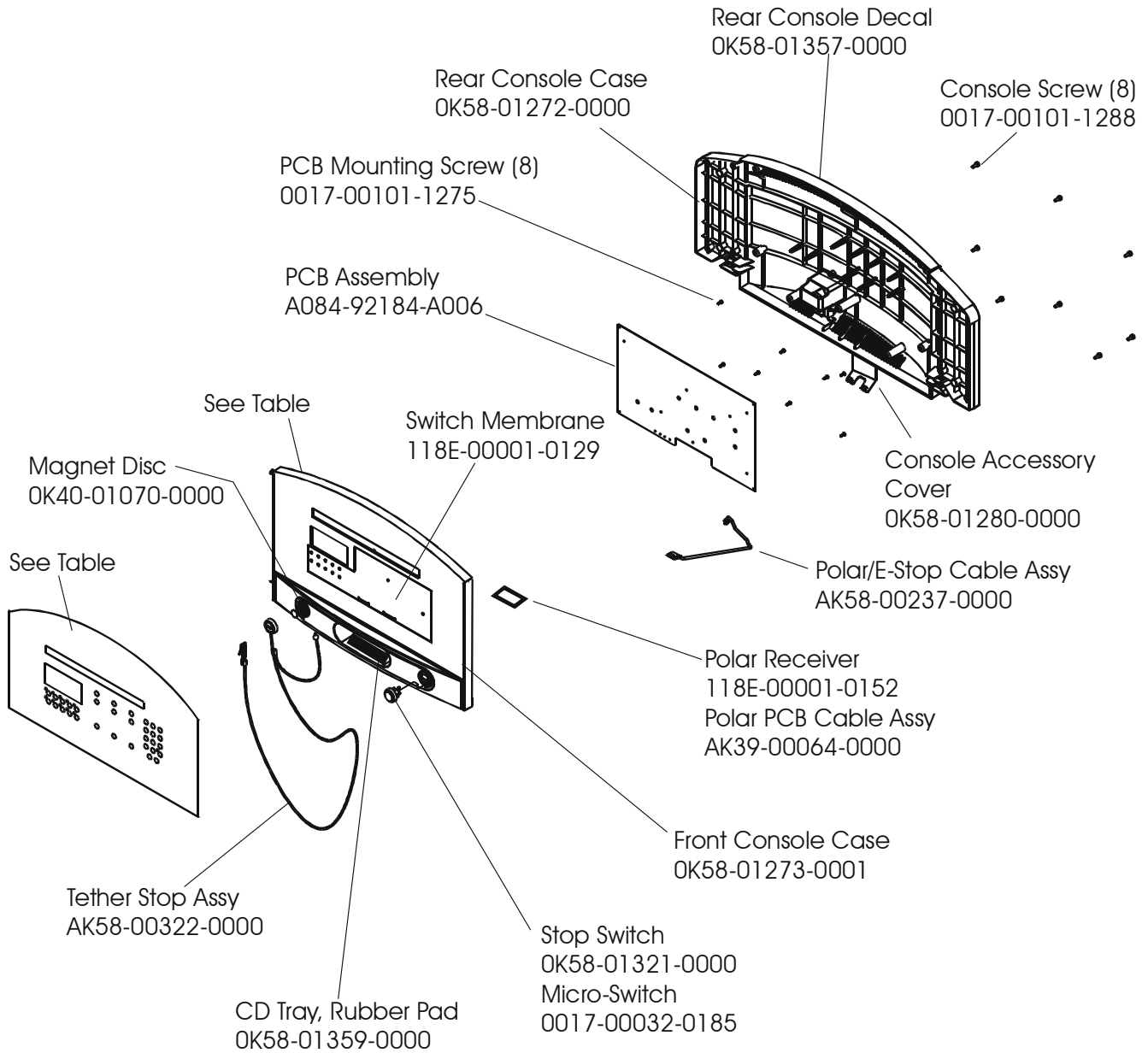
95T-0XXX-03
S/N ATT100000 and up



ARCTIC SILVER 95Ti

Console and Related Components

95T-0XXX-03
S/N ATT100000 and up

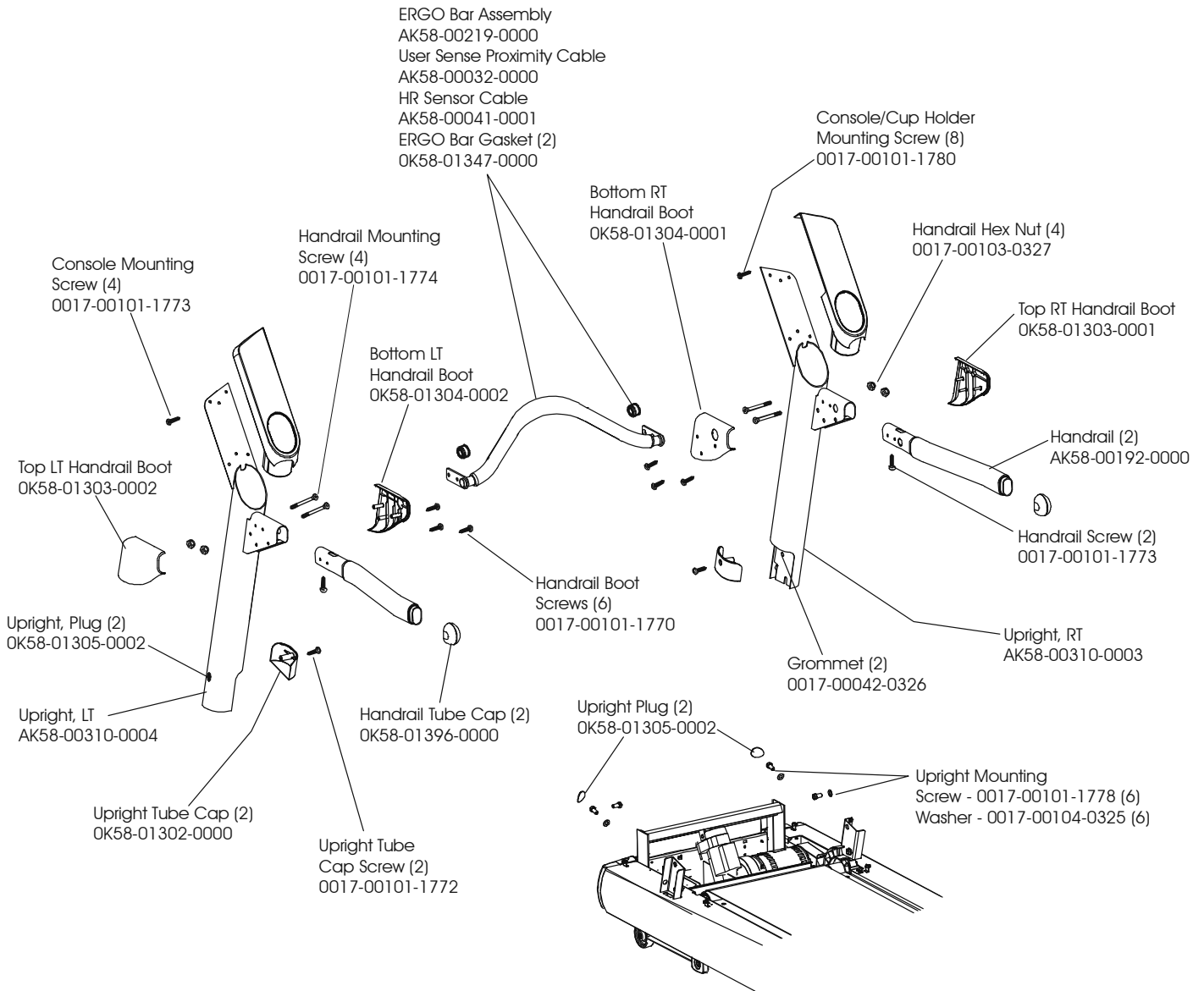


Console Assembly	Overlay/Bezel/Switch Assy.	Overlay	Language
AK58-00403-0001	AK58-00203-0001	OK58-01298-0001	Eng/Met
AK58-00403-0002	AK58-00203-0001	OK58-01298-0001	Eng/Eur
AK58-00403-0003	AK58-00203-0003	OK58-01298-0003	German
AK58-00403-0004	AK58-00203-0004	OK58-01298-0004	Spanish
AK58-00403-0006	AK58-00203-0006	OK58-01298-0006	Japanese
AK58-00403-0007	AK58-00203-0007	OK58-01298-0007	French
AK58-00403-0008	AK58-00203-0008	OK58-01298-0008	Italian
AK58-00403-0009	AK58-00203-0009	OK58-01298-0009	Dutch
AK58-00403-0010	AK58-00203-0010	OK58-01298-0010	Portuguese

ARCTIC SILVER 95Ti

Uprights, Handrails and Ergo Bar

95T-0XXX-03
S/N ATT100000 and up

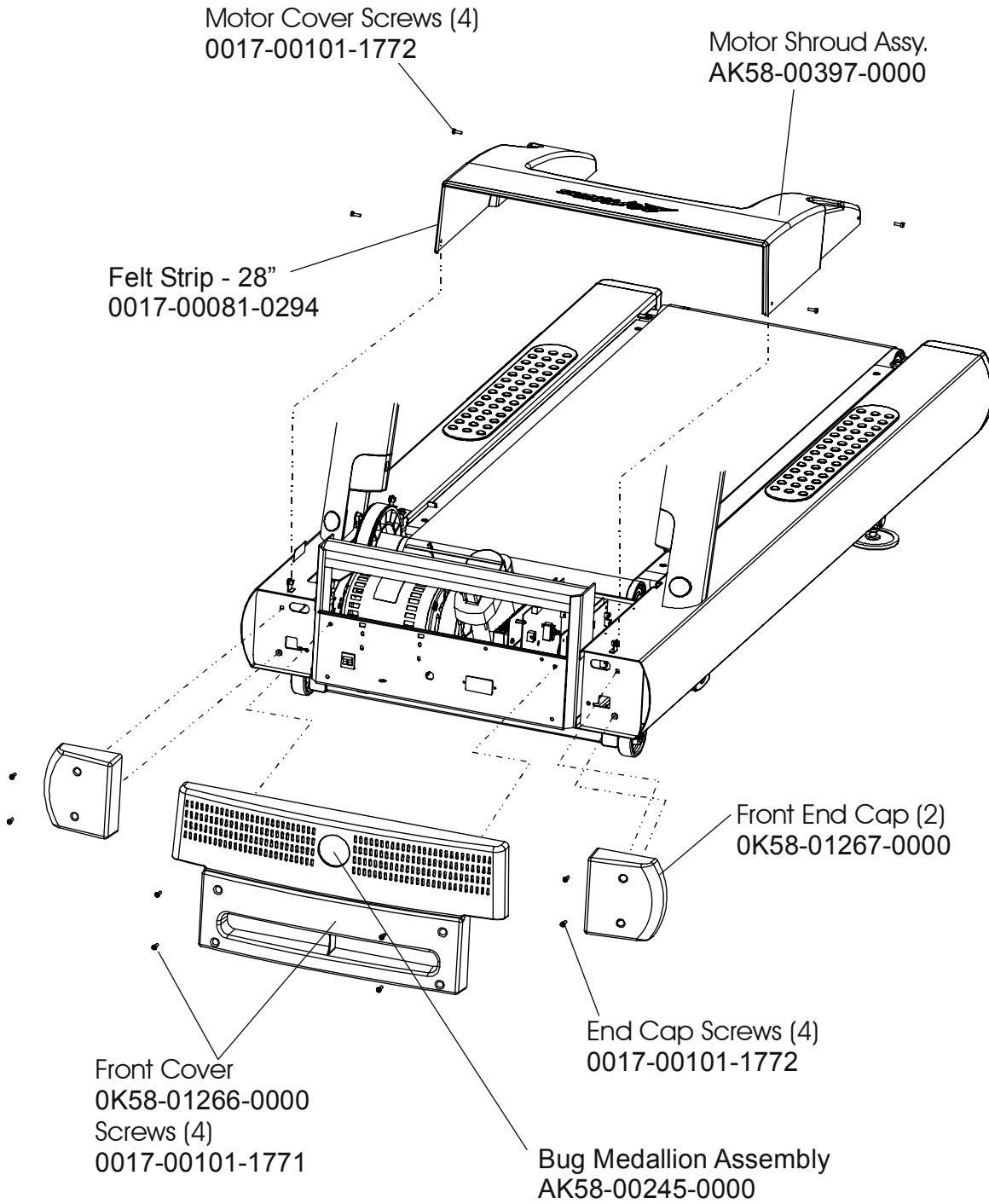


ARCTIC SILVER 95Ti

95T-0XXX-03

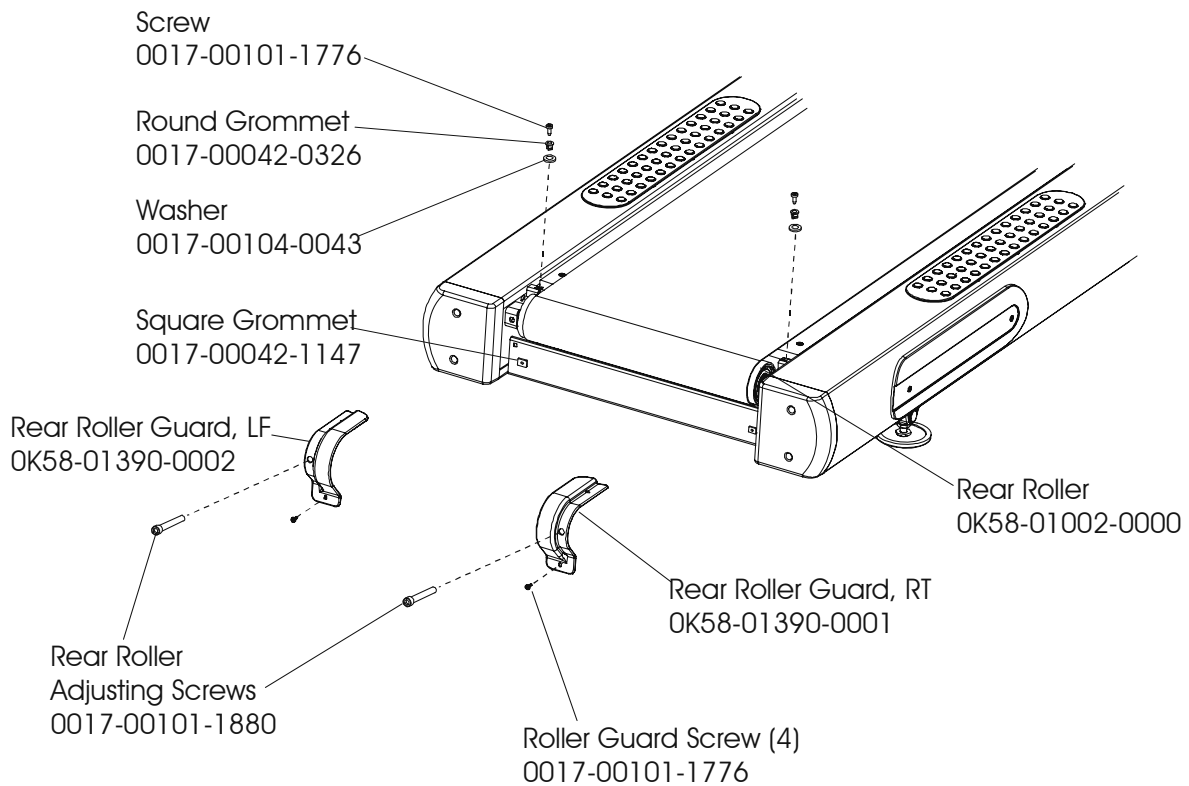
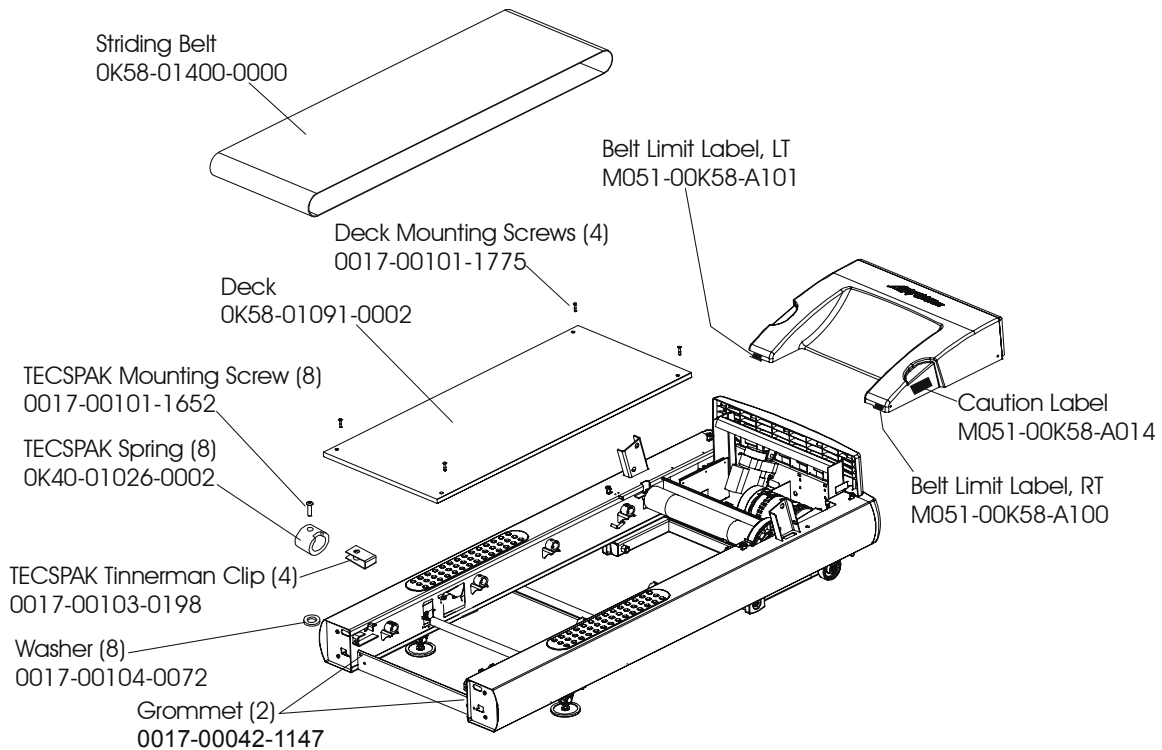
Motor Cover, Front Cover and Front End Caps

S/N ATT100000 and up



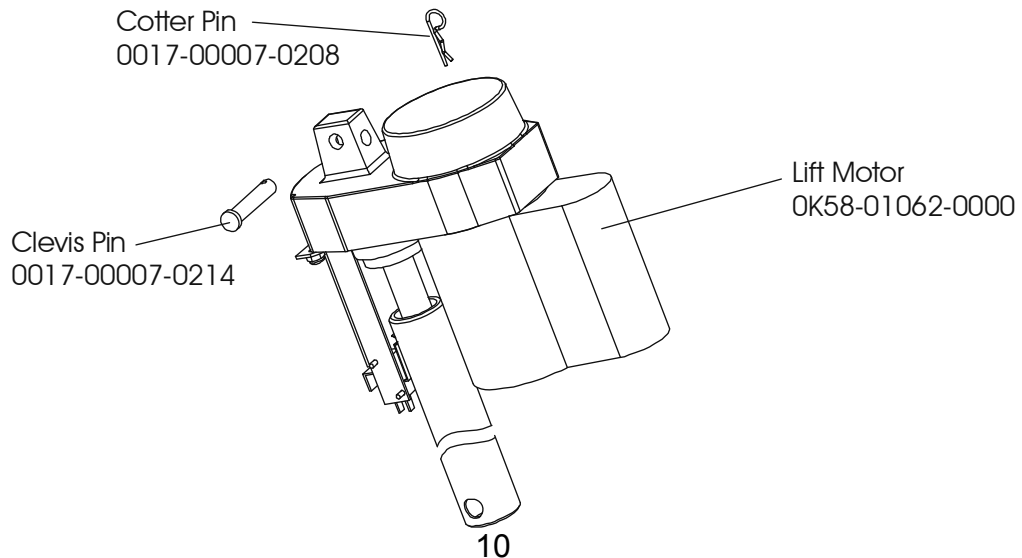
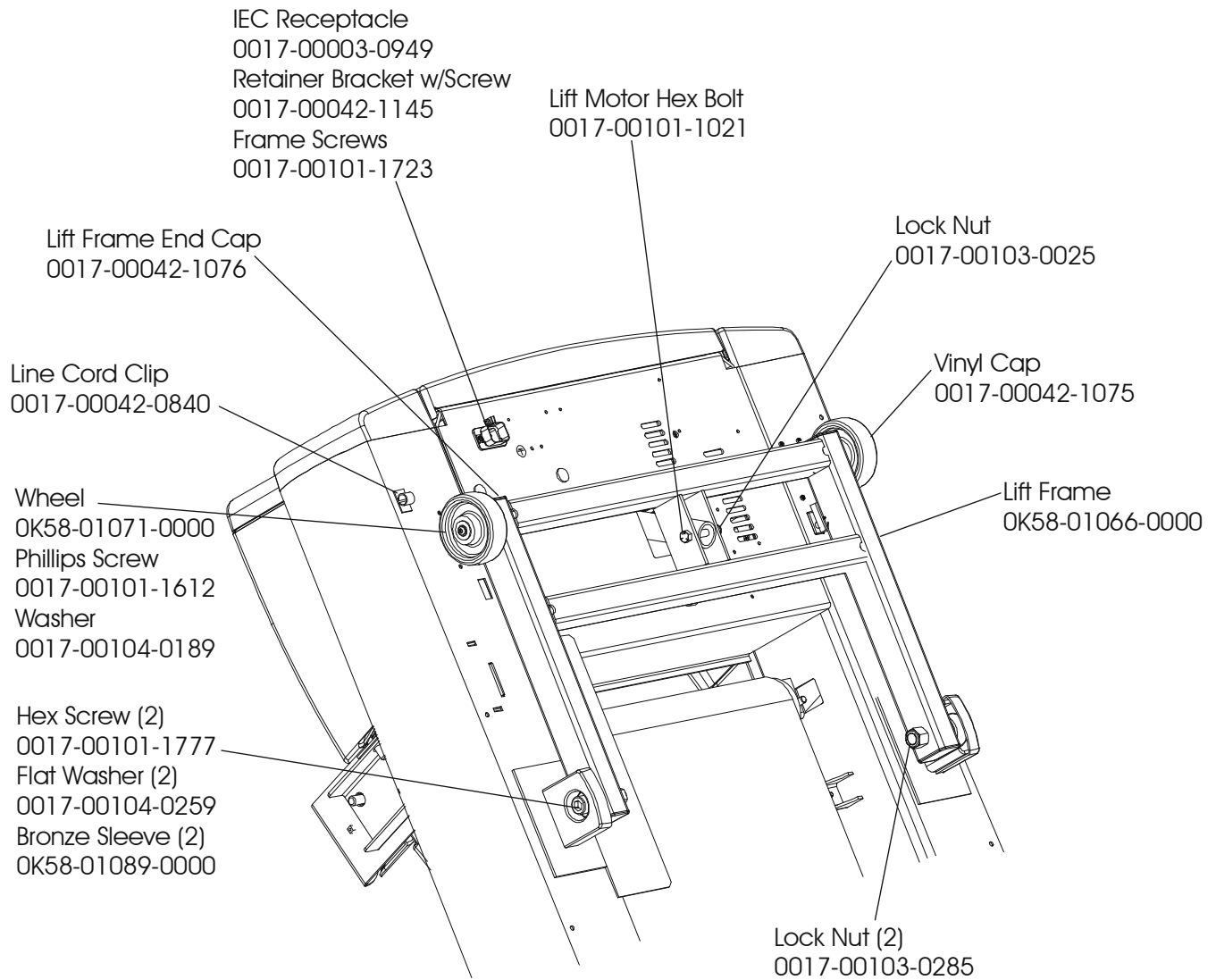
ARCTIC SILVER 95Ti
Belt, Deck and Rear Roller

95T-0XXX-03
S/N ATT100000 and up



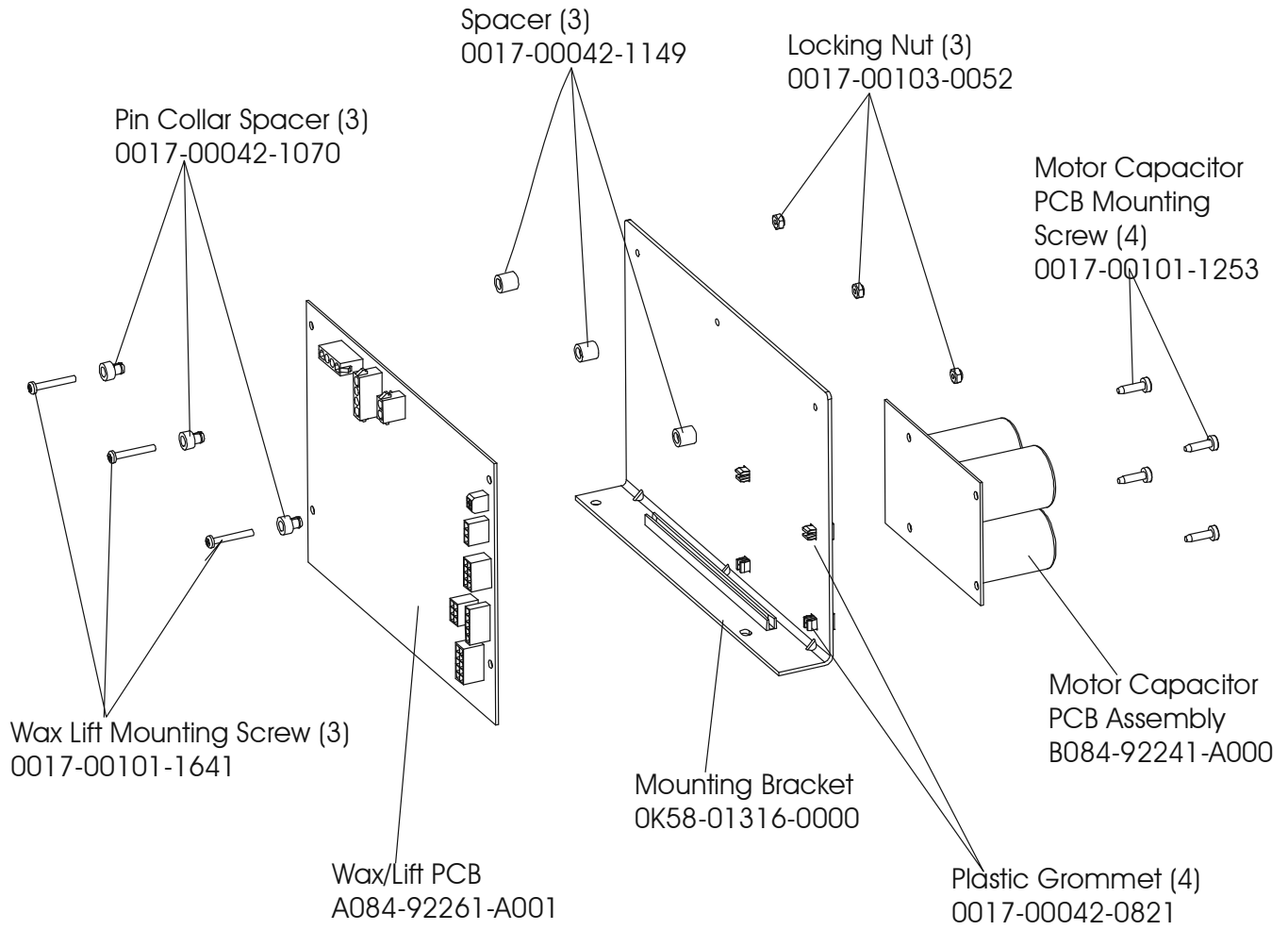
ARCTIC SILVER 95Ti
Lift Frame and Lift Motor

95T-0XXX-03
S/N ATT100000 and up

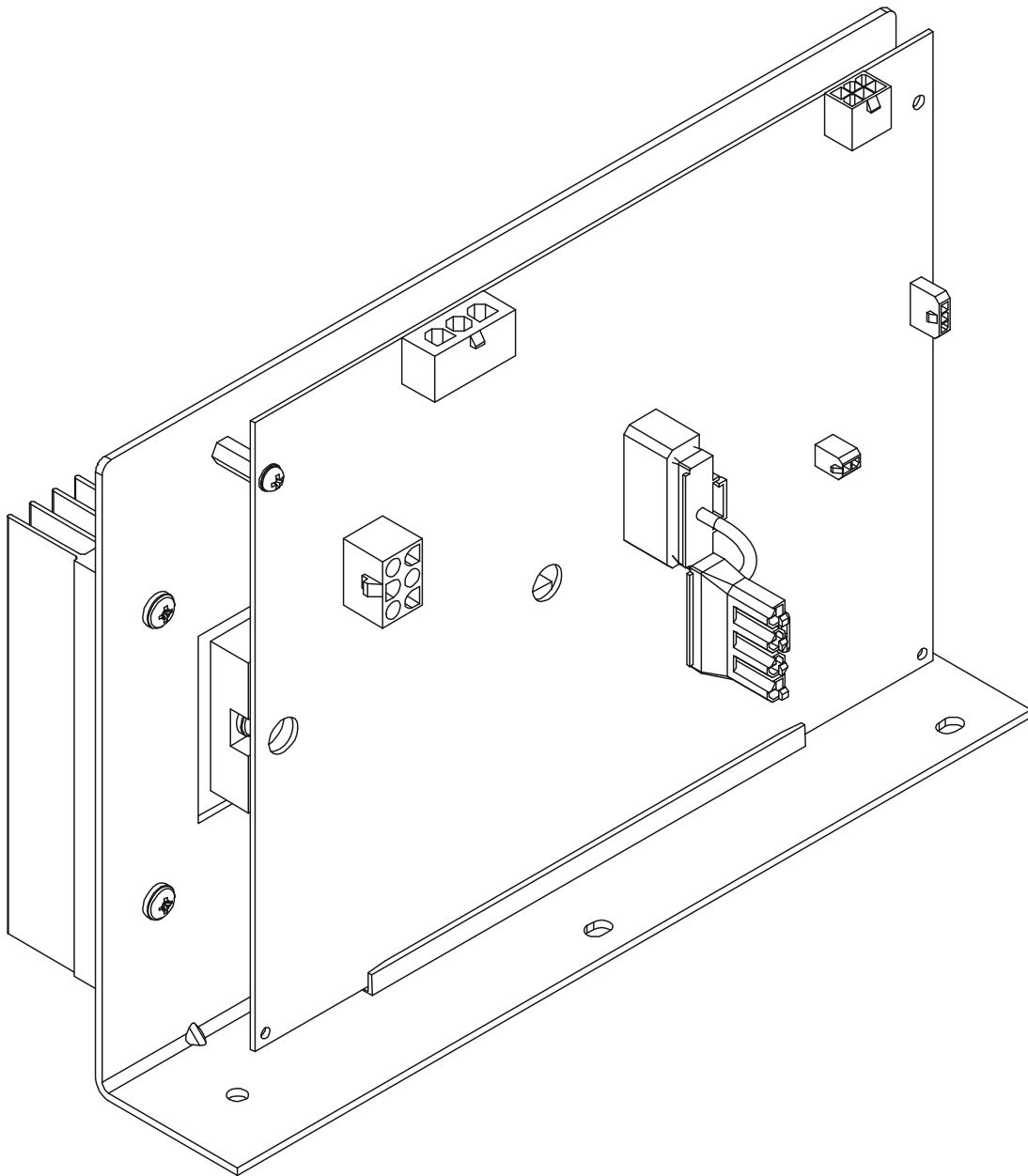


ARCTIC SILVER 95Ti
Wax/Lift Assembly—AK58-00243-0000

95T-0XXX-03
S/N ATT100000 and up

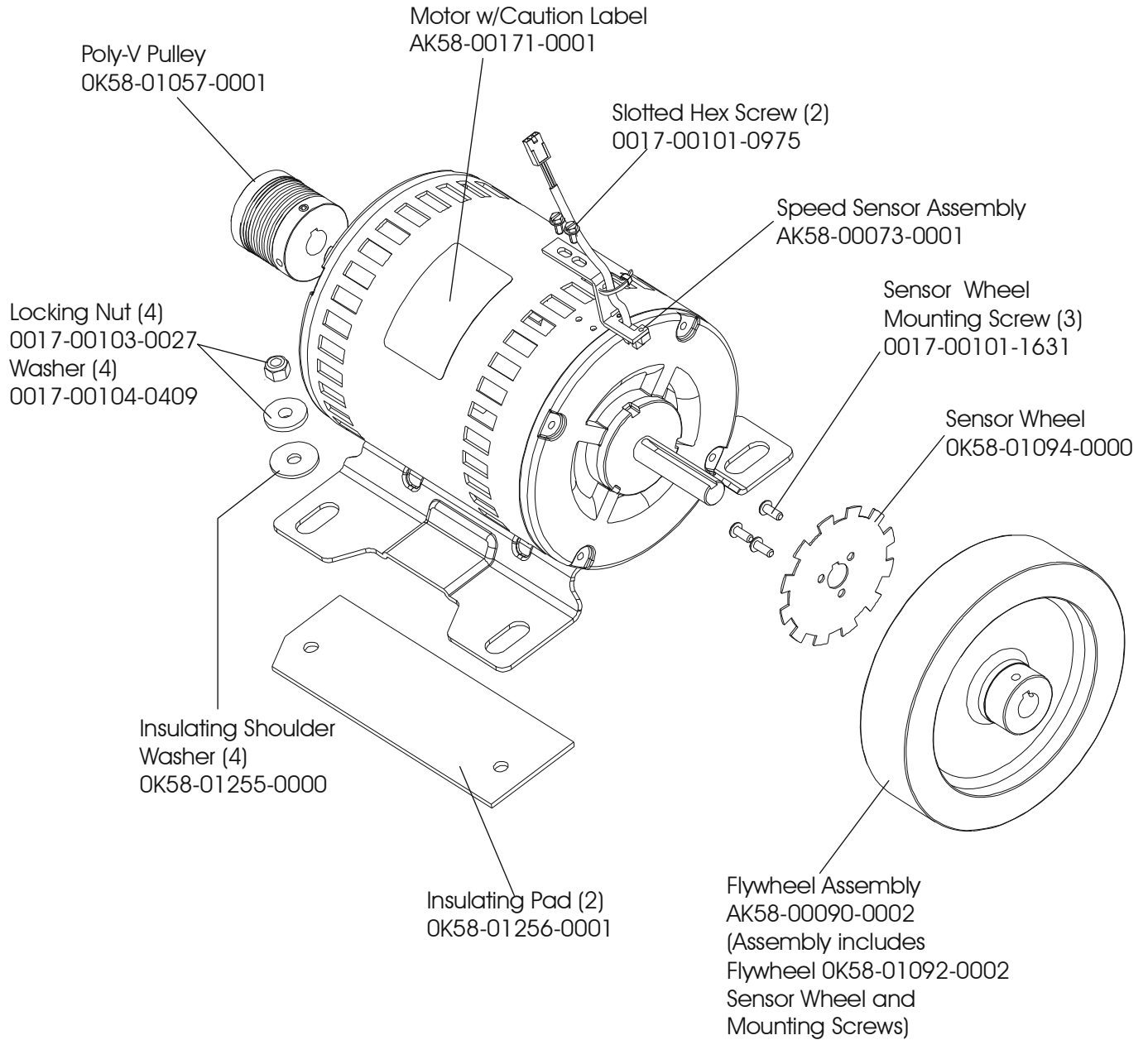


- AK60-00171-0000 (100-120v) W/O FERRITE**
- AK60-00171-0001 (200-240v) W/O FERRITE**
- AK60-00171-0002 (100-120v) WITH FERRITE**
- AK60-00171-0003 (200-240v) WITH FERRITE**



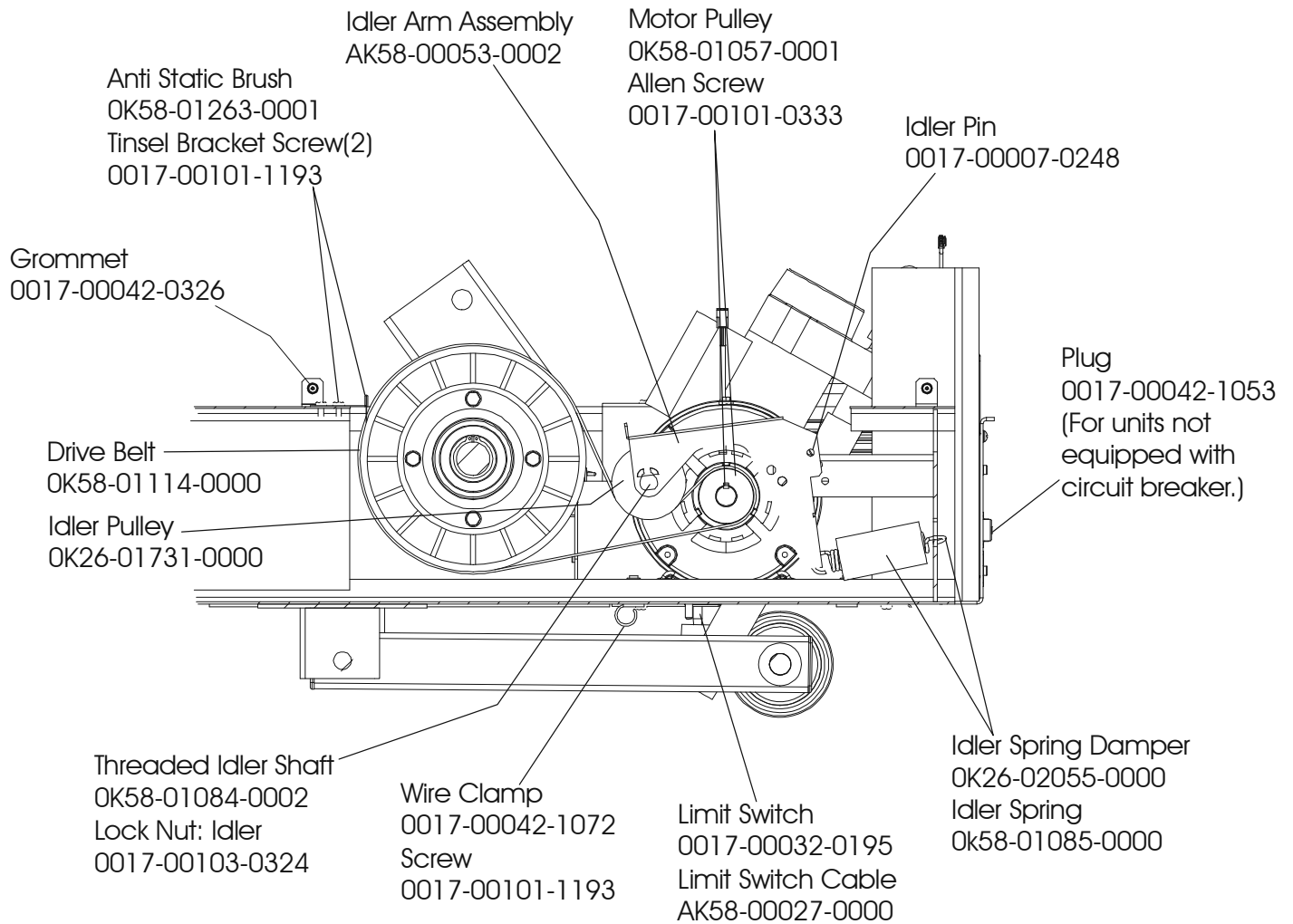
ARCTIC SILVER 95Ti
Drive Motor Assembly

95T-0XXX-03
S/N ATT100000 and up



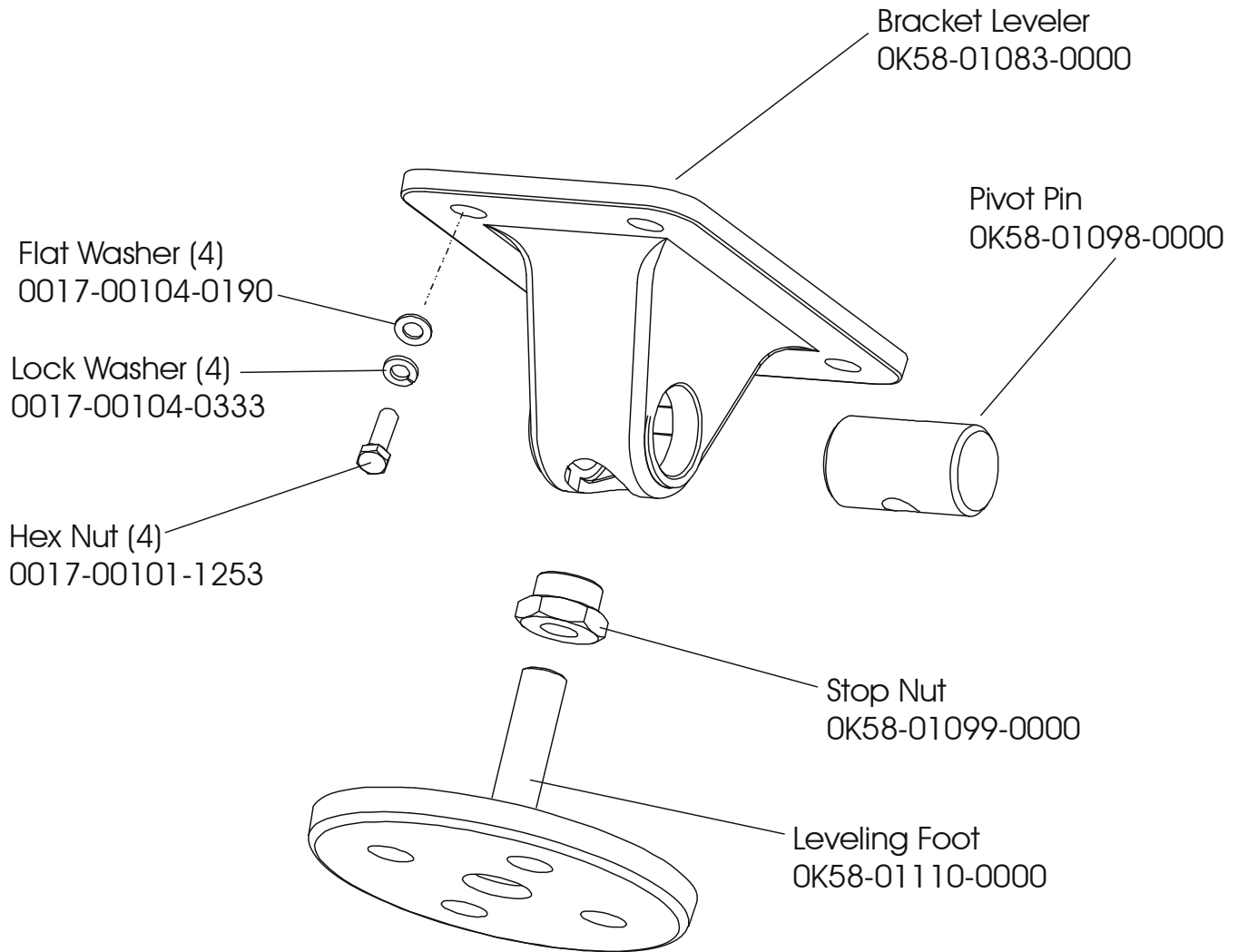
ARCTIC SILVER 95Ti
Idler Arm Assembly and Static Brush

95T-0XXX-03
S/N ATT100000 and up



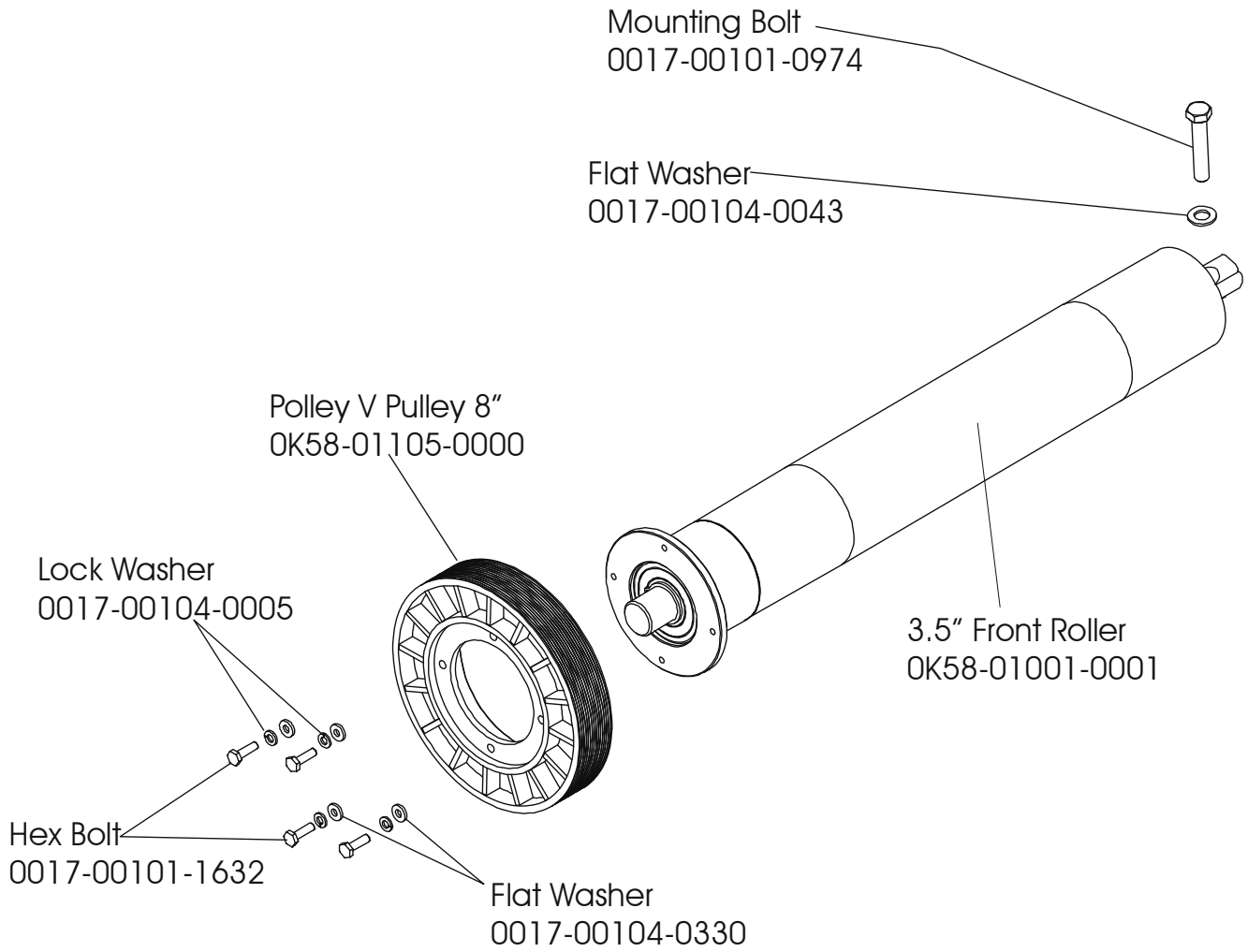
ARCTIC SILVER 95Ti
Leveler Assembly – AK58-00370-0000

95T-0XXX-03
S/N ATT100000 and up



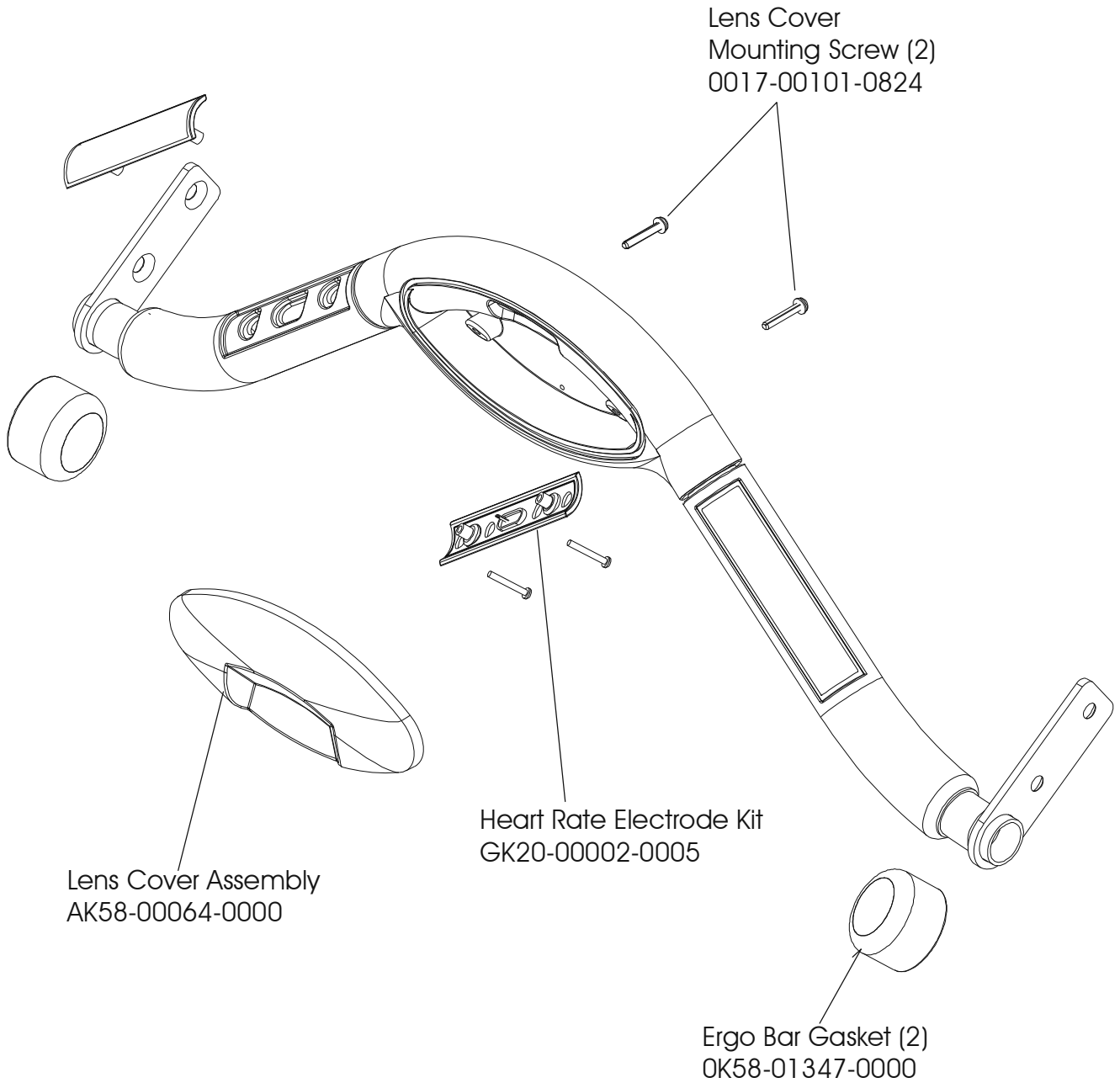
ARCTIC SILVER 95Ti
Front Roller Assy.-AK58-00066-0000

95T-0XXX-03
S/N ATT100000 and up



ARCTIC SILVER 95Ti
Ergo Bar w/Lifepulse

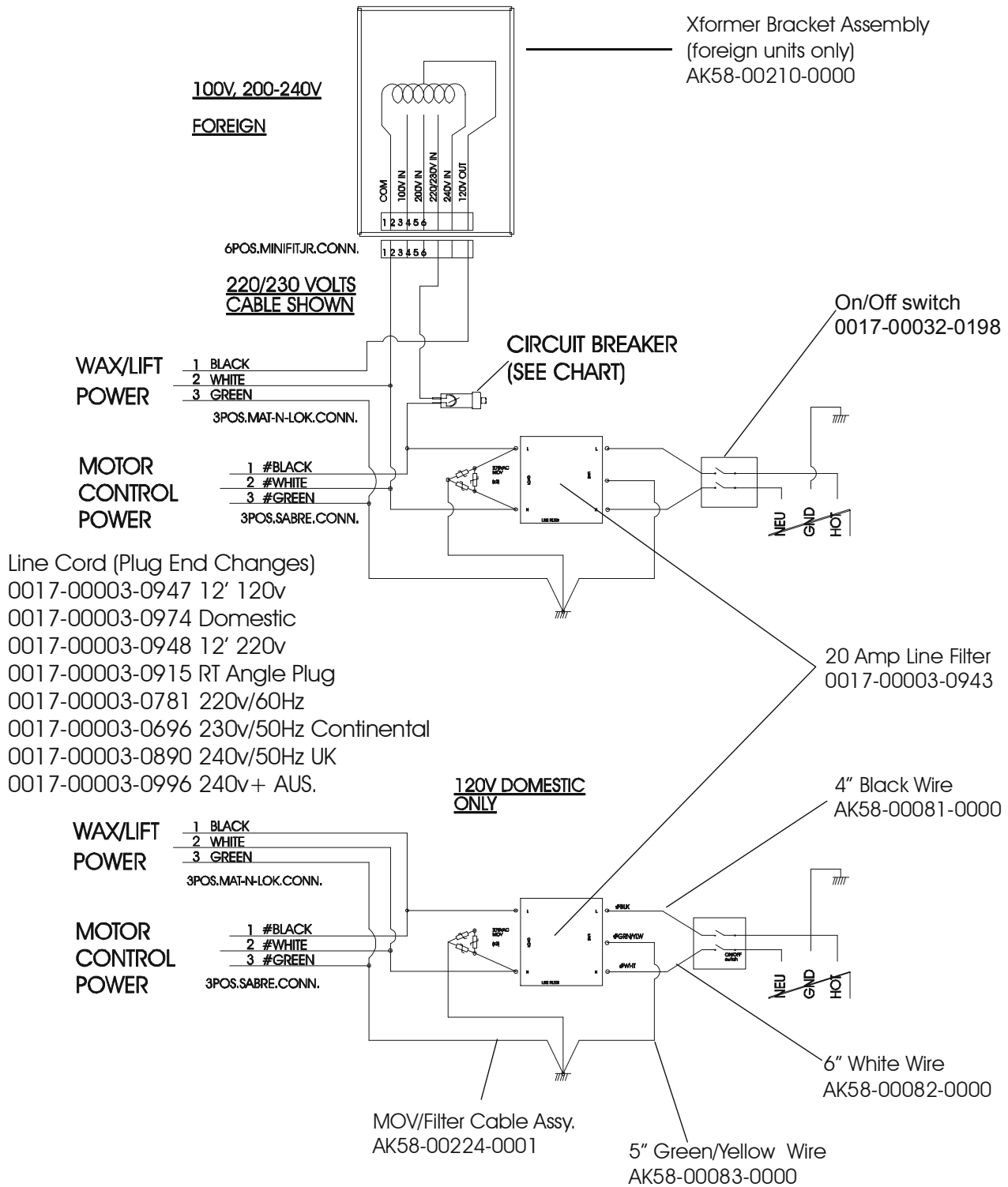
95T-0XXX-03
S/N ATT100000 and up



ARCTIC SILVER 95Ti

Power Components Schematic

95T-0XXX-03
S/N ATT100000 and up



ARCTIC SILVER 95Ti

Wax/Lift Power Supply

95T-0XXX-03
S/N ATT10000 and up

