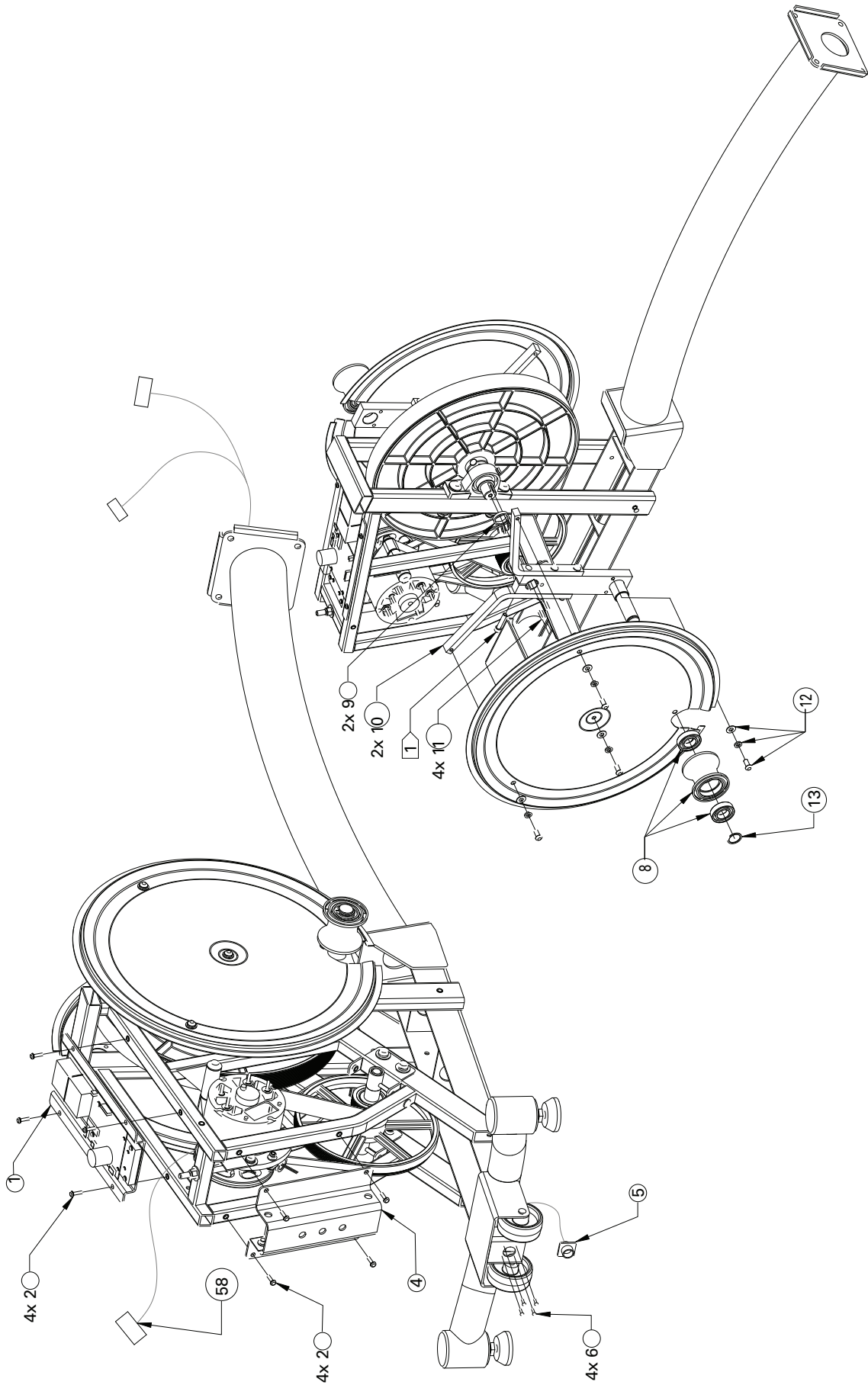
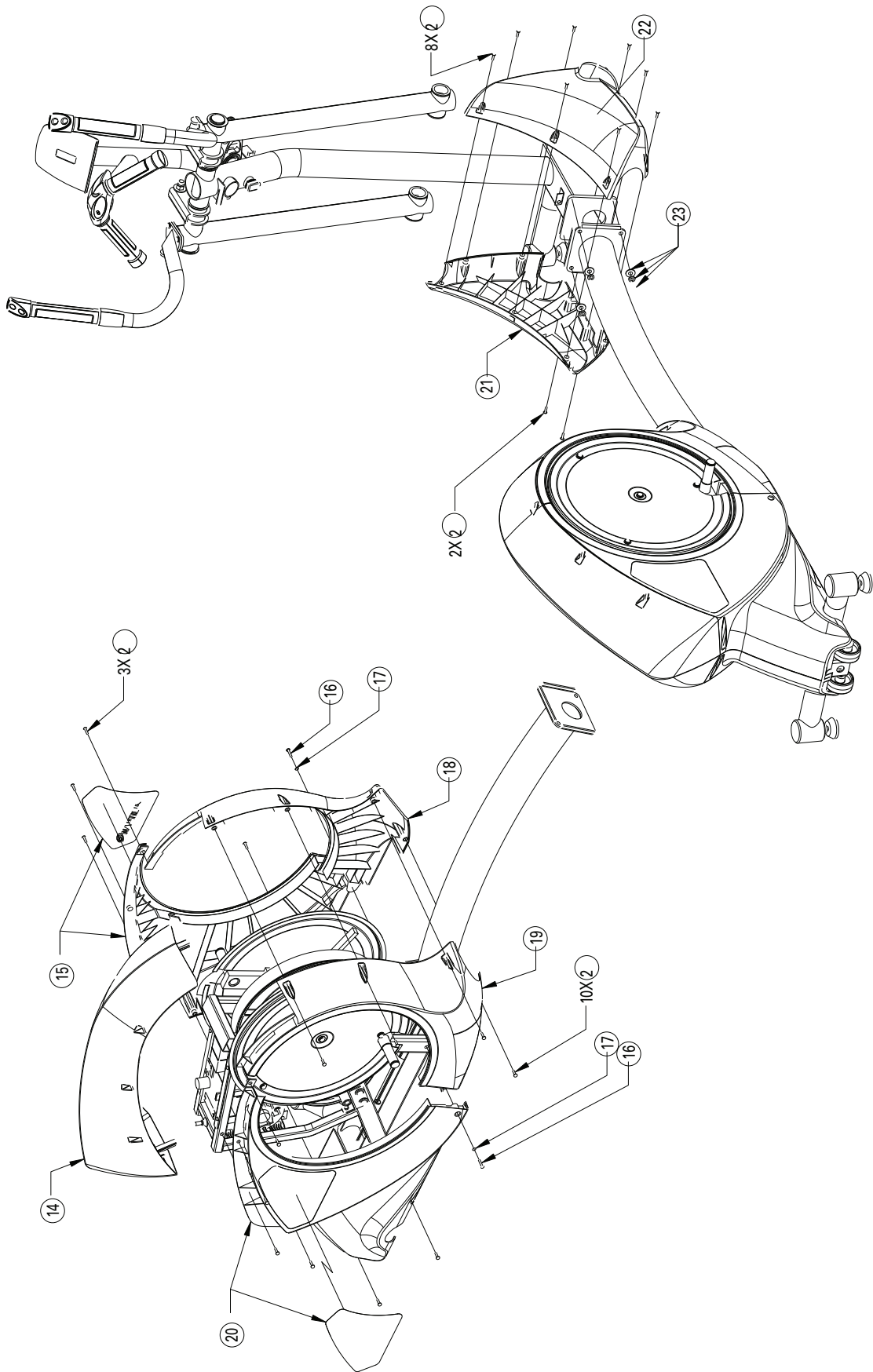


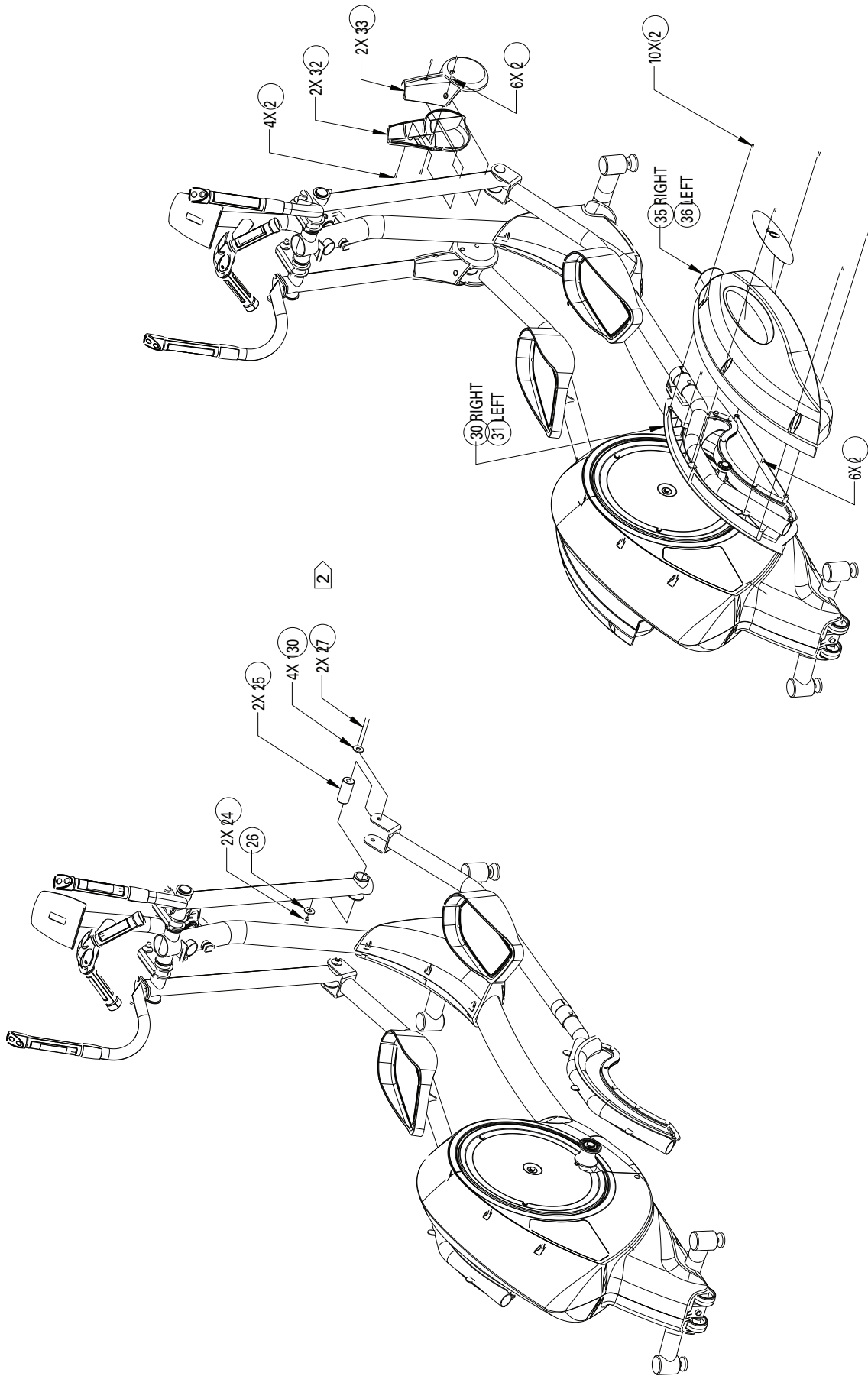
Nautilus EV 9.16 Elliptical



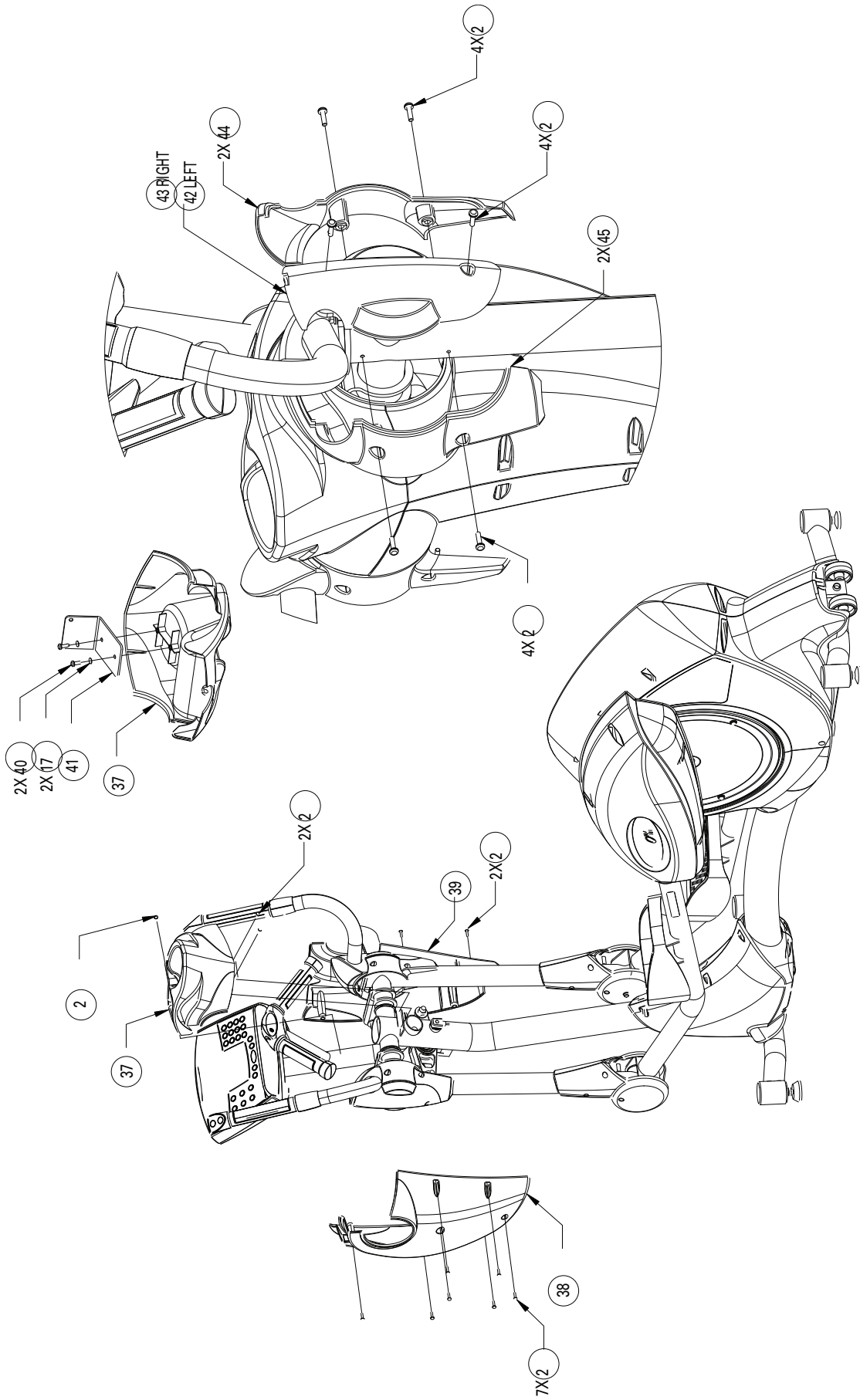
Nautilus EV 9.16 Elliptical



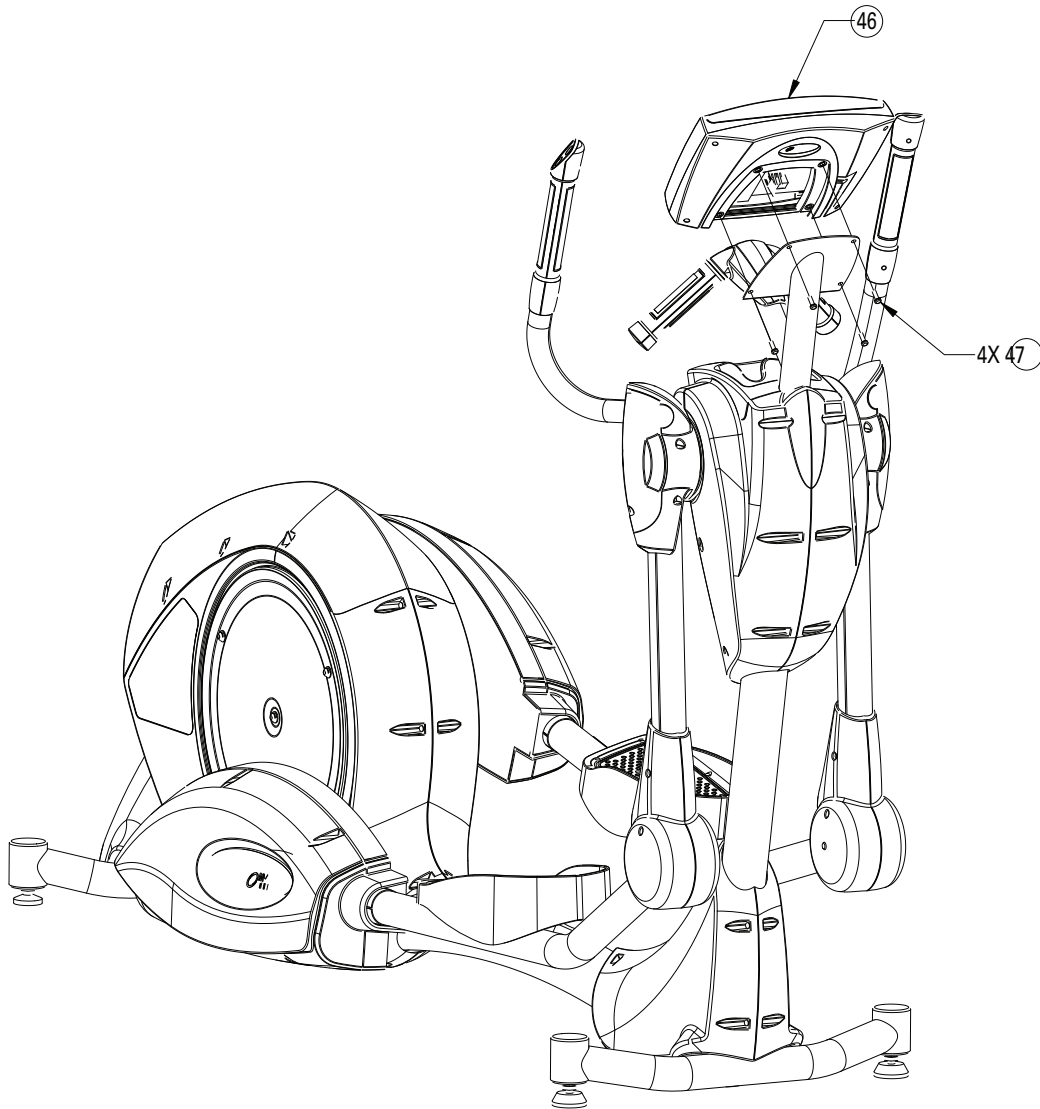
Nautilus EV 9.16 Elliptical



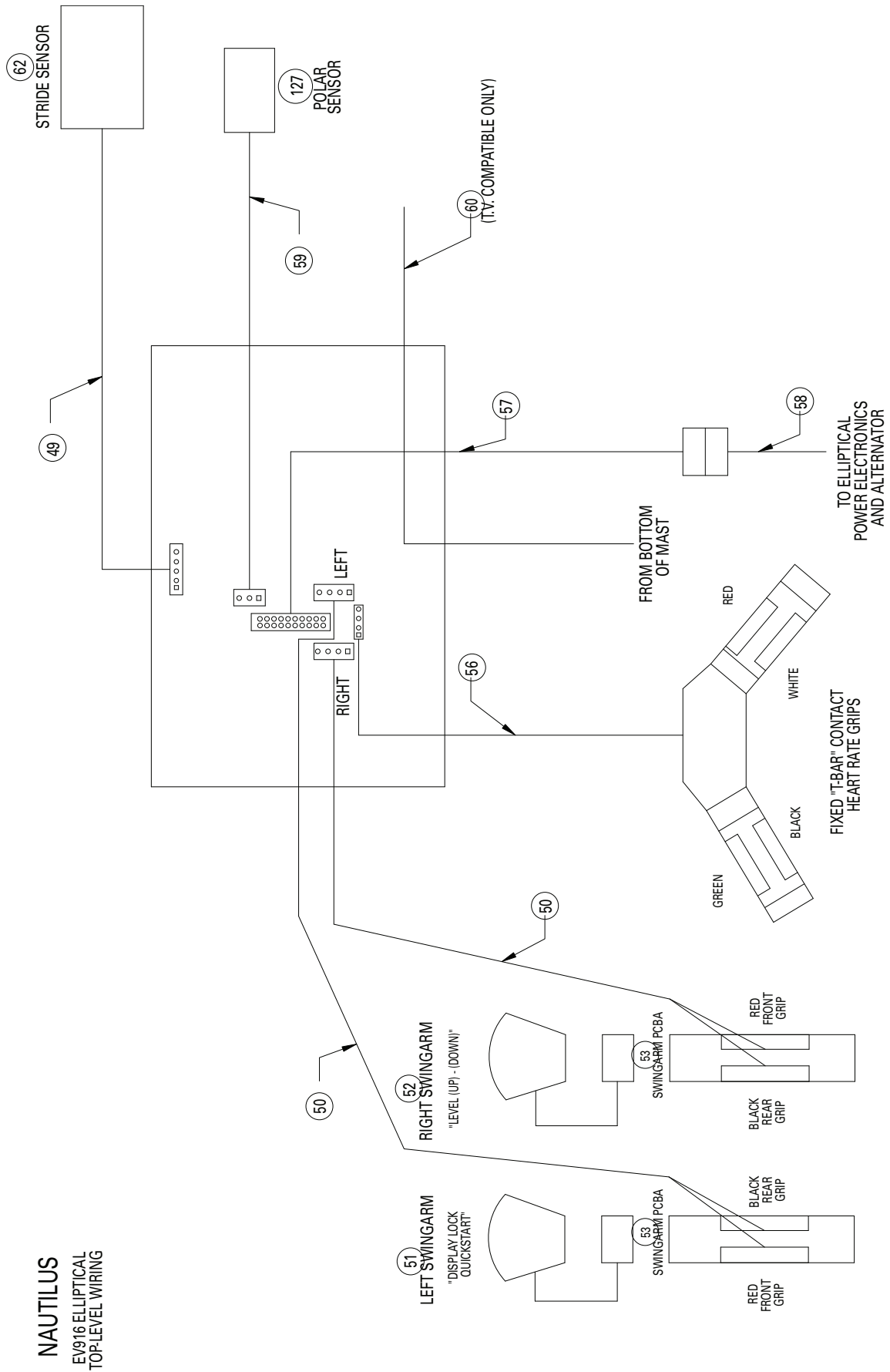
Nautilus EV 9.16 Elliptical



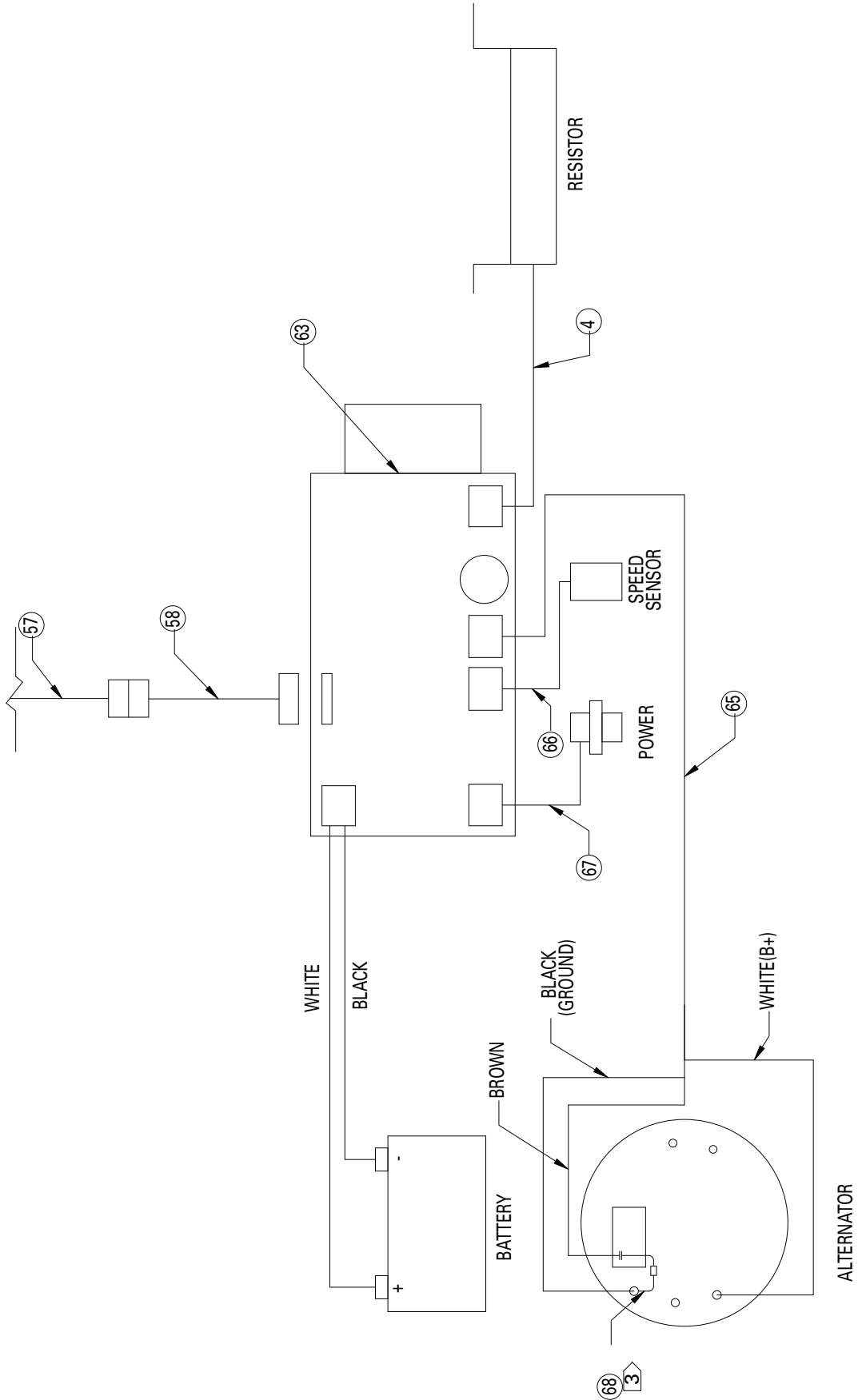
Nautilus EV 9.16 Elliptical



Nautilus EV 9.16 Elliptical



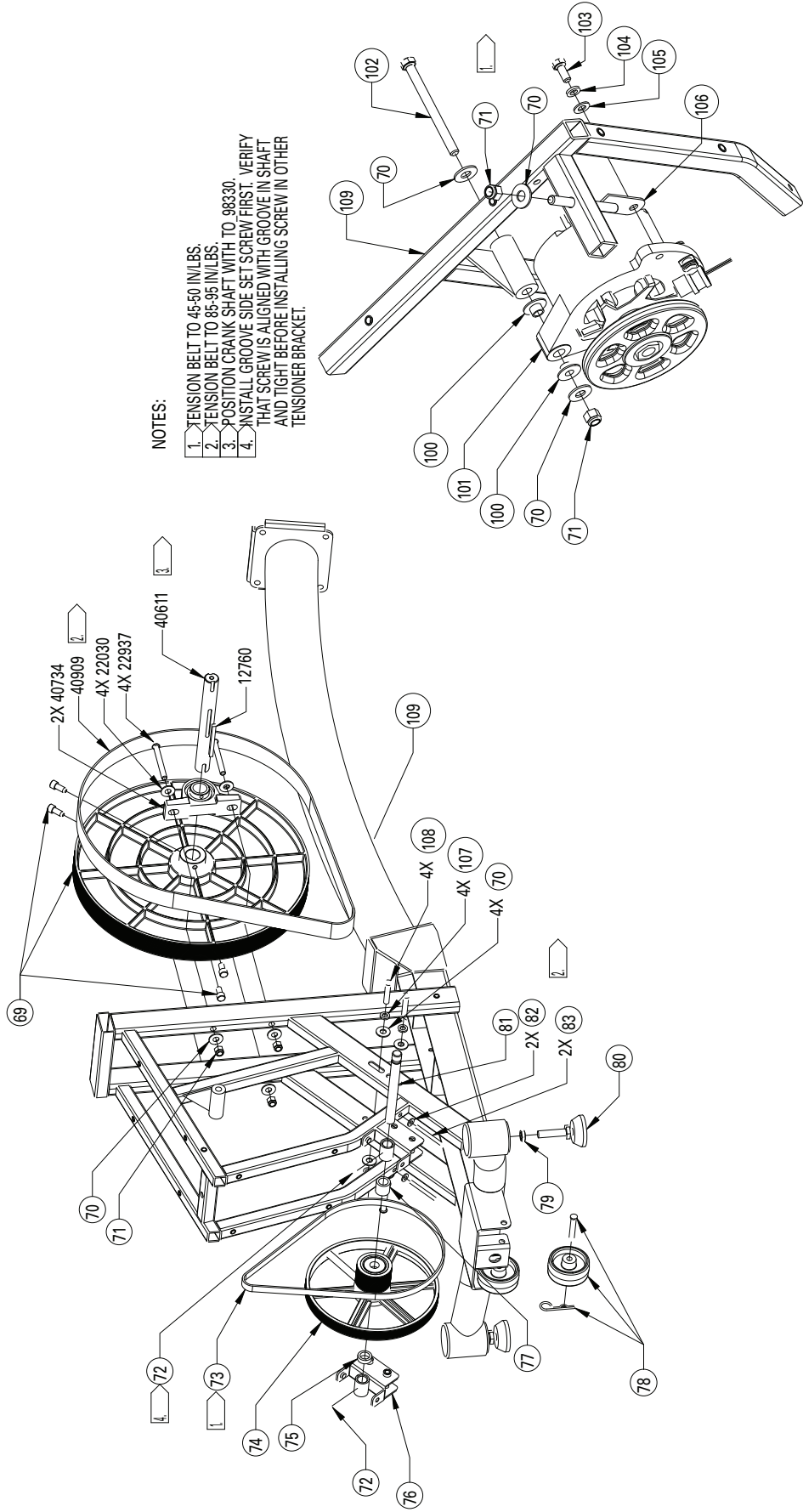
Nautilus EV 9.16 Elliptical



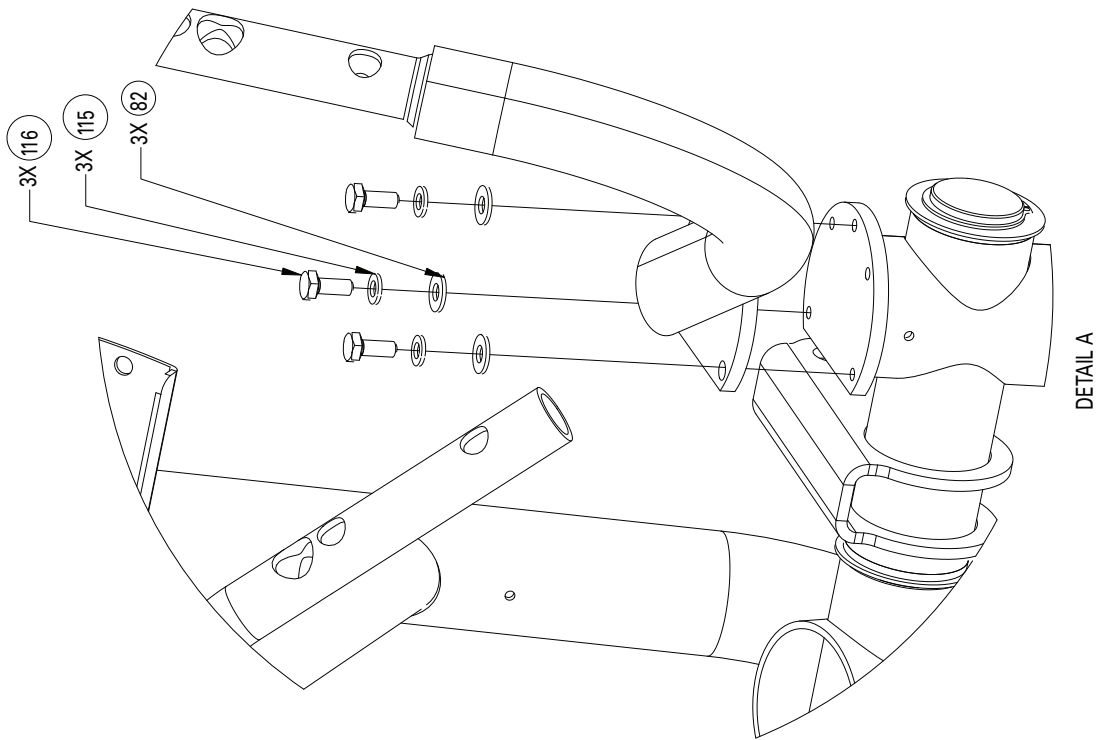
Nautilus EV 9.16 Elliptical

NOTES:

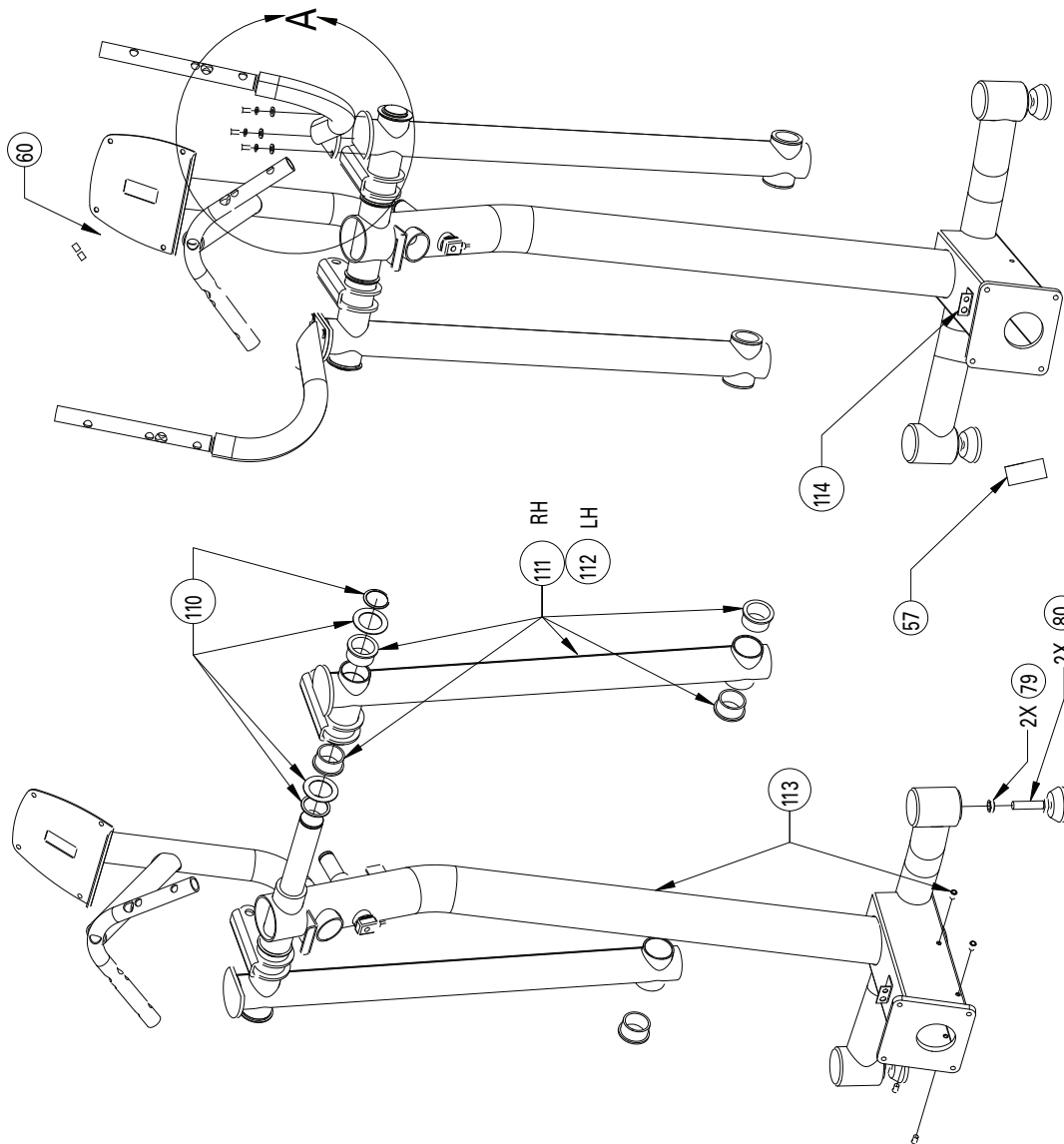
1. TENSION BELT TO 45-50 IN.LBS.
2. TENSION BELT TO 85-95 IN.LBS.
3. POSITION CRANK SHAFT WITH TO 98330.
4. INSTALL GROOVE SIDE SET SCREW FIRST. VERIFY THAT SCREW IS ALIGNED WITH GROOVE IN SHAFT AND TIGHT BEFORE INSTALLING SCREW IN OTHER TENSIONER BRACKET.



Nautilus EV 9.16 Elliptical



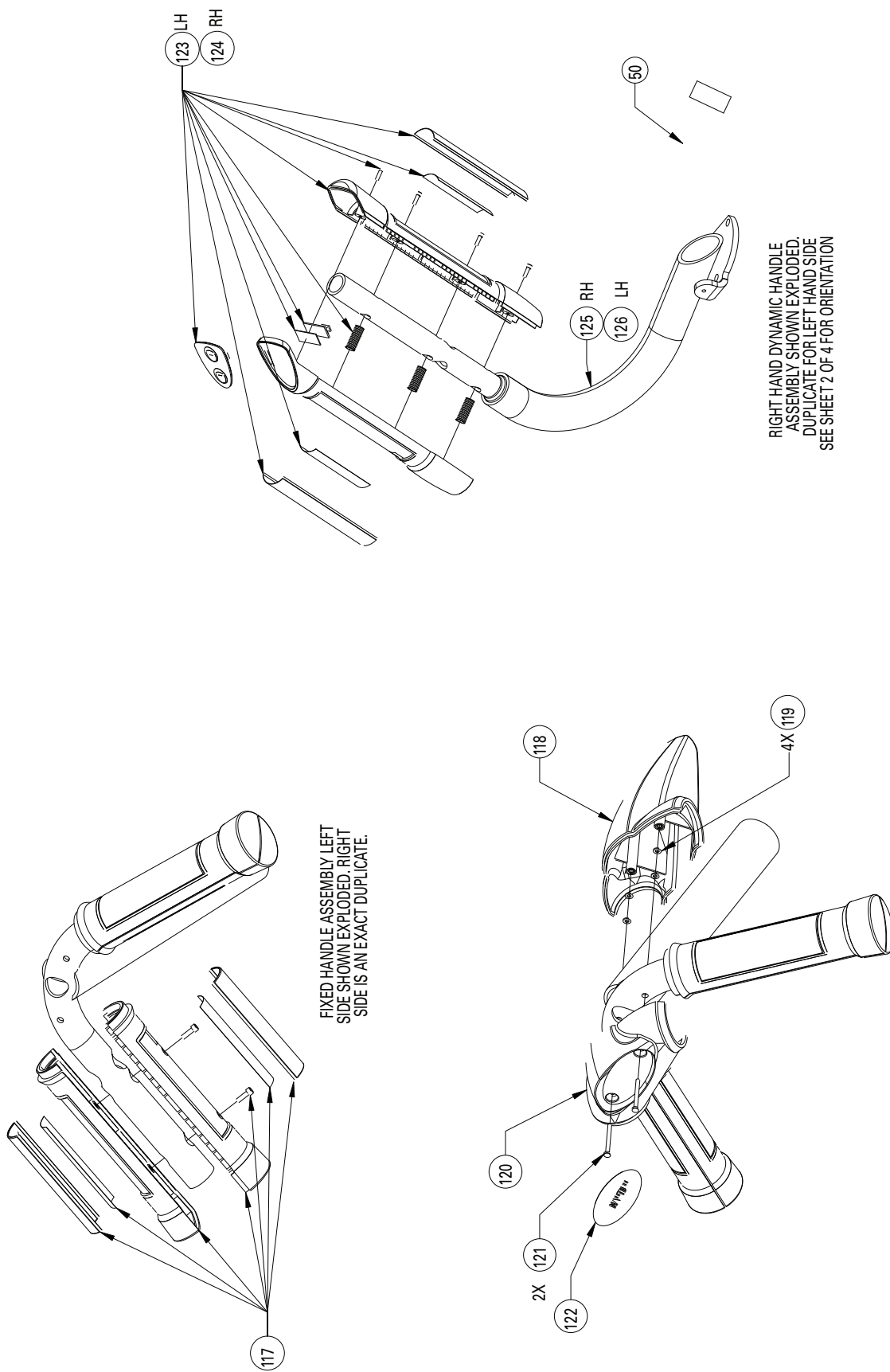
DETAIL A



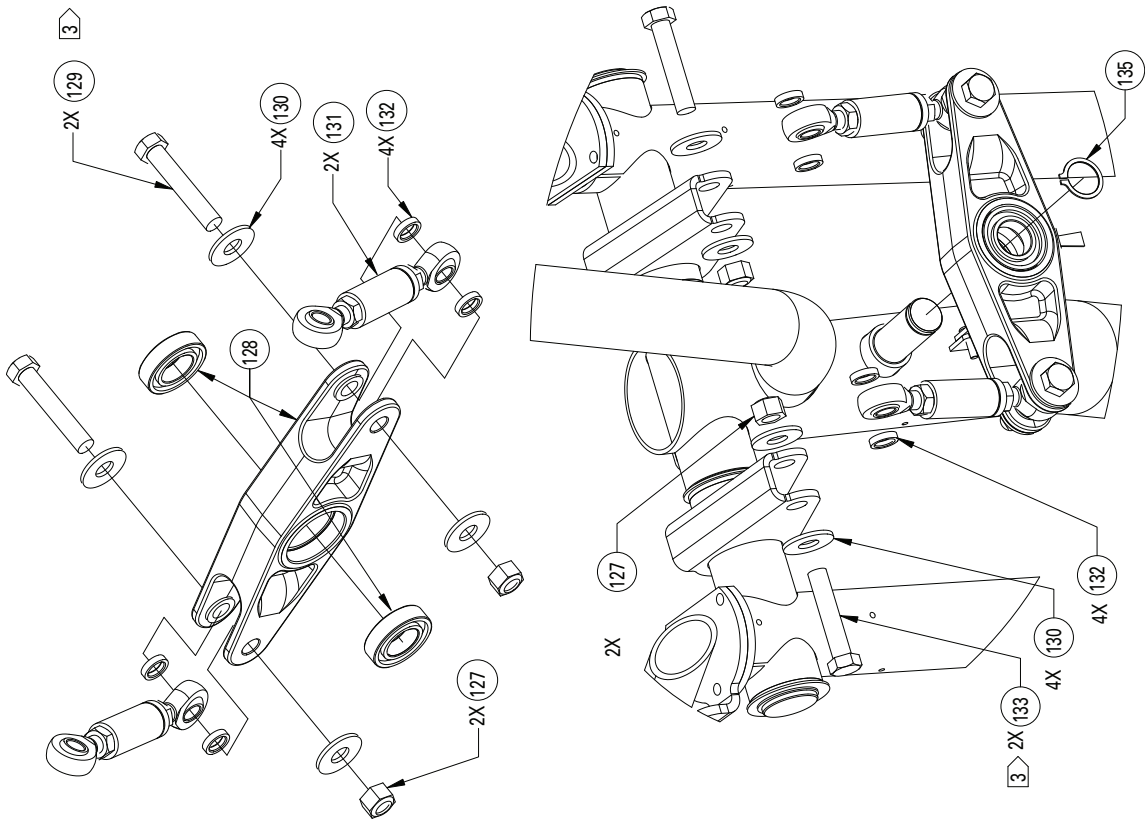
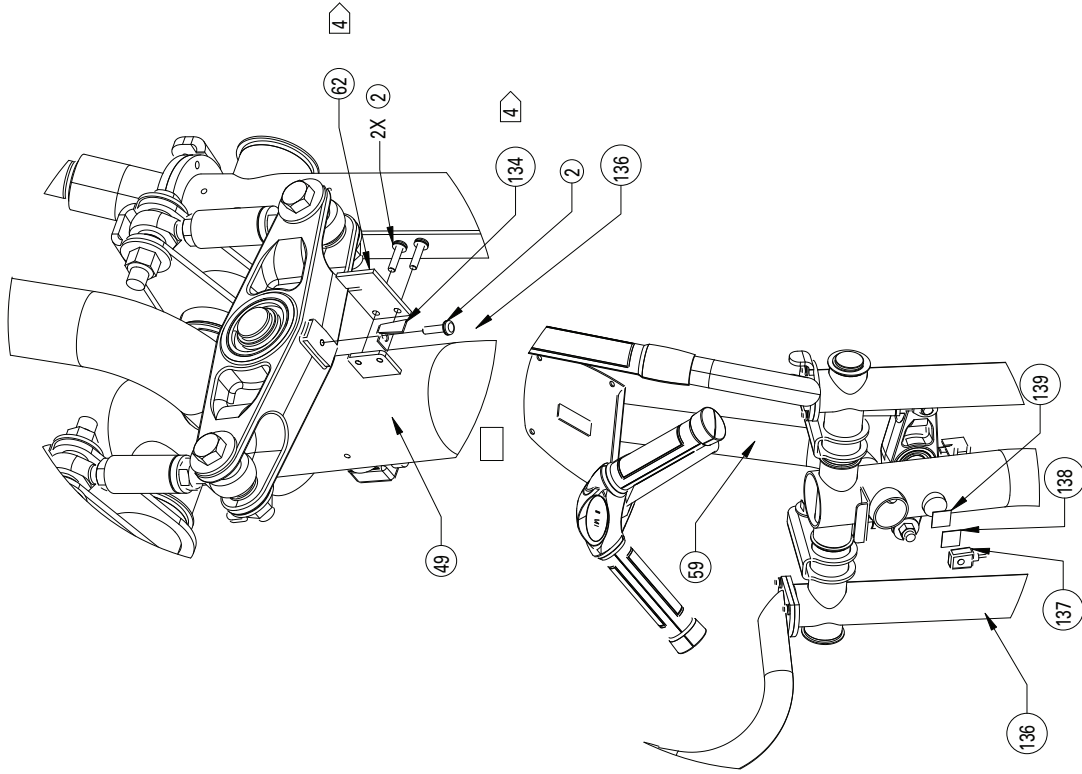
RIGHT HAND DYNAMIC HANDLE SHOWN
EXPLODED. LEFT HAND IS A MIRROR
IMAGE WITH COMPONENT CHANGES
NOTED ABOVE

SWING ARM ASSEMBLY RIGHT SIDE
SHOWN EXPLODED. LEFT SIDE IS AN
EXACT DUPLICATE.

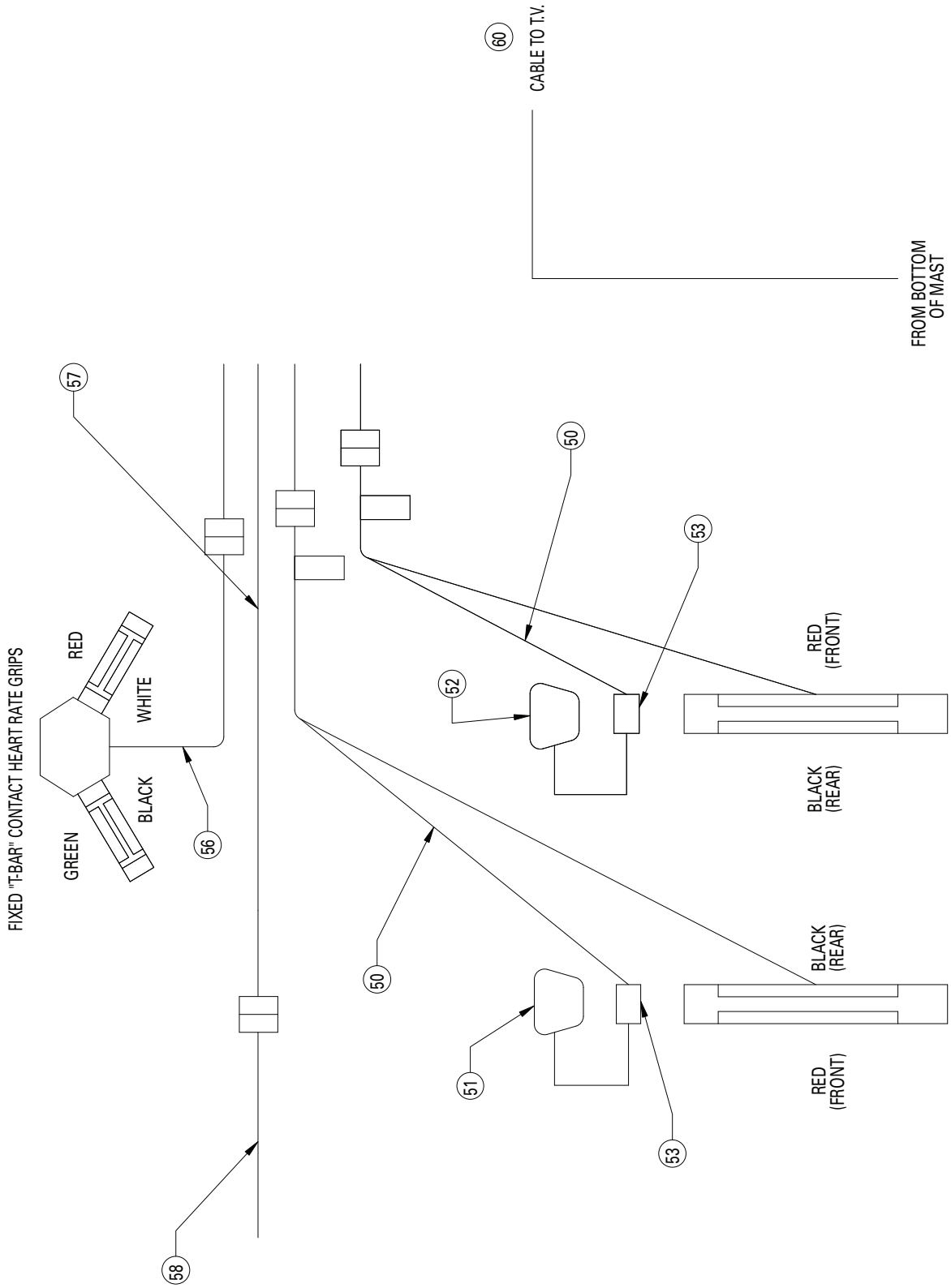
Nautilus EV 9.16 Elliptical



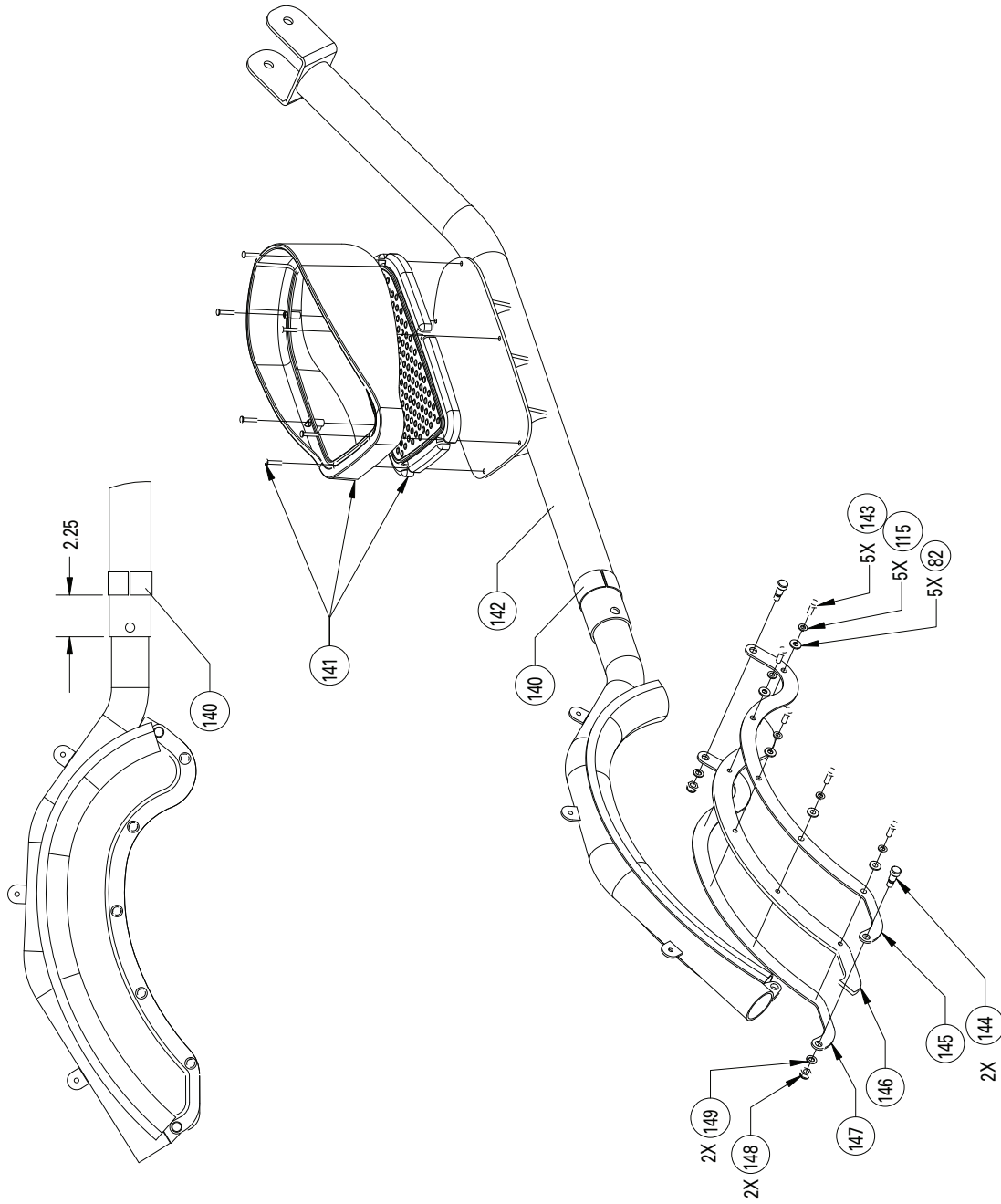
Nautilus EV 9.16 Elliptical



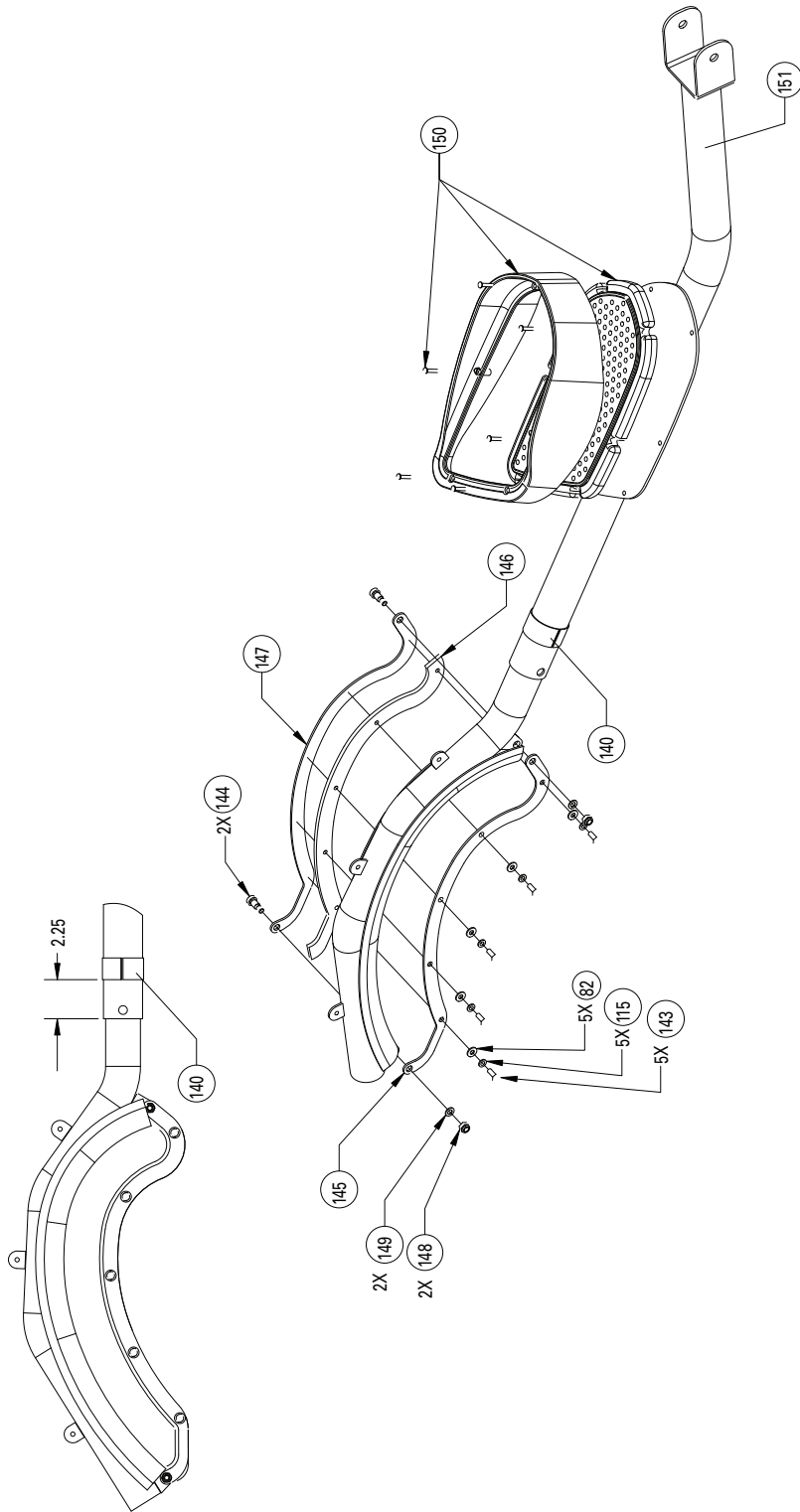
Nautilus EV 9.16 Elliptical



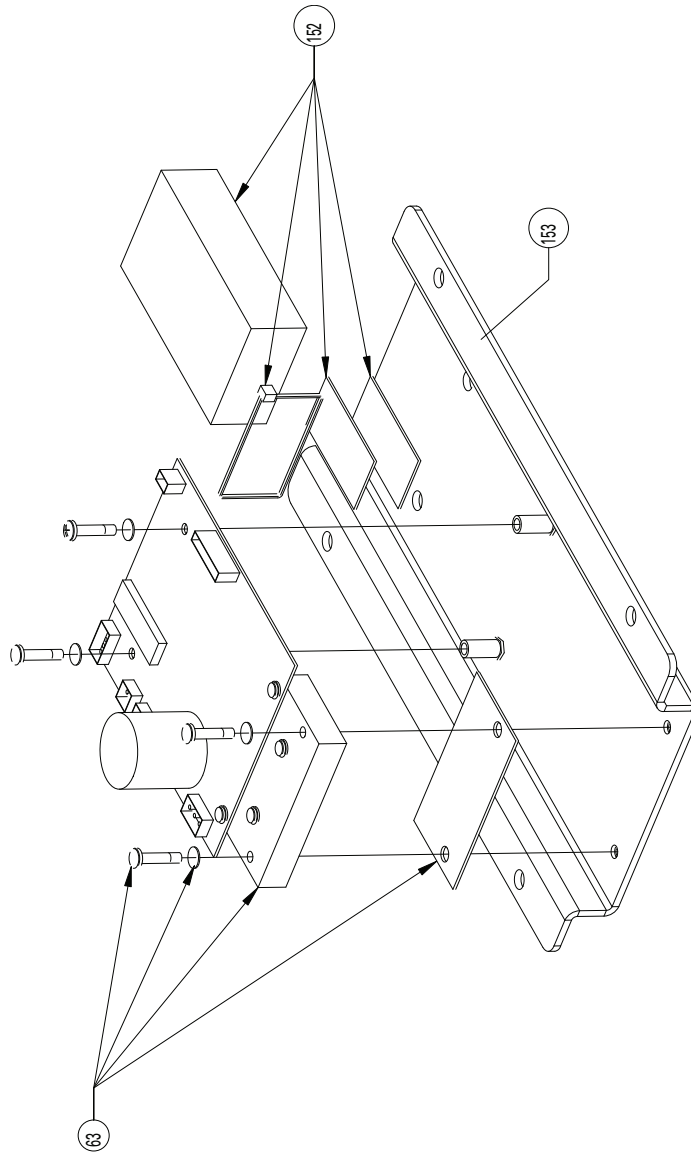
Nautilus EV 9.16 Elliptical



Nautilus EV 9.16 Elliptical



Nautilus EV 9.16 Elliptical



Nautilus EV 9.16 Elliptical

REF #	DESCRIPTION	PART #	REF #	DESCRIPTION	PART #
1	ASSEMBLY,LOWER CONTROL BOARD	SM40601	58	CABLE ASSY,MAIN LOWER,EV916	SM40844
2	COVER SCREW (BAG OF 10)	SM40654	59	ASSY,CABLE, VSL PLUG-IN, POLAR	SM40836
4	ASSY,RESISTOR & BRACKET,STRIDE	SM40603	60	ASSY,HARNESS,TV/PWR,EV916/E916 (TV ONLY)	SM17841
5	ASSY,MAIN POWER,ELLIPTICAL	SM40677	62	PCB ASSY,VSL STRIDE SENSOR	SM40834
6	SCREW,#6 X .50 PHIL,TYPE T	SM22663	63	POWER BOARD KIT	SM13572
7	COVER,CRANK,STEEL, V3	SM40383	65	CABLE,ALTERNATOR,3300CE/3900RC	SM13584
8	KIT,ASSY,ROLLER W/BEARINGS	SM40364	66	ASSY.,SPEED SENSOR,CLIM.SYS,CL	SM21445
9	SPACER,CRANK SHAFT	SM40616	68	ASSY,FIELD,DIODE	SM21204
10	ASSEMBLY,CRANK ARM, 5300	SM40305	69	DRIVE PULLEY ASSY,W/SCREWS	SM40530
11	KEY,.250 SQUARE X .750 LONG	SM12212	70	WASHER, 3/8 USS FLAT	SM22030
12	KIT,CRANK COVER HW	SM40756	71	NUT,.375-16,NYLON INSERT	SM22029
14	COVER,DRIVTRAIN,TOP	SM40527	72	SCREW,SET,SOCKET,.250-28 X .38	SM22878
15	KIT,LEFT, REAR BACK COVER, W/DECAL	SM40419	73	BELT,POLY-V,38",J,6 RIB	SM40910
16	SCREW,10-32 X 1" L, PHIL PANHD	SM40338	74	ASSEMBLY,INTERMEDIATE PULLEY	SM40952
17	WASHER,#10,INTERNAL TOOTH LOCK	SM13547	75	SPACER,INTERMEDIATE SHAFT,LEFT	SM40609
18	COVER,LEFT REAR, FRONT	SM40418	76	WELDMENT, INT PULLEY TENSIONER	SM40605
19	COVER,RIGHT REAR,FRONT	SM40416	77	SPACER,INTERMEDIATE SHAFT,RIGH	SM40610
20	KIT,RIGHT, REAR BACK COVER, W/DECAL	SM40417	78	KIT,WHEEL	SM25978
21	COVER,FRONT,BOTTOM,LEFT	SM40556	79	NUT,JAM HEX,1/2-13	SM22205
22	COVER,FRONT,BOTTOM,RIGHT	SM40558	80	LEVELING PAD	SM17686
23	FRAME HW KIT	SM40233	81	SHAFT,INTERMEDIATE PULLEY	SM40608
24	NUT,LOCK,CONICAL TOP,1/2-13	SM40655	82	WASHER,FLAT,1/4 ID X 5/8 OD	SM22047
25	SHAFT, SWING ARM PIVOT	SM40358	83	SCREW,.250-20X2.50,HEX HD CAP	SM22116
27	SCREW,.500-13X4.50,HEX HD CAP	SM26669	84	BEARING,1" PILLOW BLOCK,NO COL	SM40734
30	ASSEMBLY,COVER,CAM,INSIDE,RIGH	SM40491	85	BELT,POLY-V,61",J,10 RIBS	SM40909
31	ASSEMBLY,COVER,CAM,INSIDE,LEFT	SM40490	86	SCREW,.375-16 X 3.50,HX HD CAP	SM22937
32	COVER, KNUCKLE, FRONT LEFT	SM40426	87	SHAFT,CRANK	SM40611
33	COVER, KNUCKLE, FRONT RIGHT	SM40427	88	KEY, .250 SQ X 3.00 LONG	SM12760
35	KIT,POD CVR,W/DECAL,EV916,RH	SM40420	100	WASHER,SHOULDER,.38 I.D.	SM22191
36	KIT,POD CVR,W/DECAL,EV916,LH	SM40421	101	ASSEMBLY,ALTERNATOR	SM40953
37	COVER,DEPENDENCY,UPPER FRONT	SM40428	102	SCREW,.375-16 X 4.50 HEX HD CP	SM21448
38	COVER,DEPENDENCY,LEFT,FRONT	SM40430	103	SCREW,.312-18X.75,HEX HD CAP	SM22093
39	COVER,DEPENDENCY,RIGHT,FRONT	SM40431	104	WASHER,.312 SPIT LOCK	SM22070
40	SCREW,10-32X.50,PAN HEAD,SS,BL	SM40671	105	WASHER, FLAT, .312 SAE	SM22214
41	BRACKET, FRONT PLASTIC, SUPPT	SM40438	106	WELDMENT, ALTERNATOR TEBSIONER	SM40598
42	COVER,UPPER SWING ARM,LEFT	SM40442	107	WASHER, 3/8 SPLIT LOCK	SM23729
43	COVER,UPPER SWING ARM,RIGHT	SM40441	108	SCREW,.375-16 X 1.75 HX HD CAP	SM24640
44	COVER,UPPER SWING ARM,#1	SM40439	109	WELDMENT,REAR FRAME,CLUBSTRIDE	SM40301
45	COVER,UPPER SWING ARM,#2	SM40440	110	SWING ARM HW KIT	SM40234
46	KIT,CONSOLE,C51,LCD,E916	SM40801	111	KIT,ASSY,RH,SWING ARM,EV916	SM40488
47	SCREW,1/4-20X.75,PAN HD,W/LOCK	SM40670	112	KIT,ASSY,LH,SWING ARM,EV916	SM40489
49	CABLE ASSY, VSL STRIDE SENSOR	SM40835	113	WELDMENT,CONSOLE MOUNT	SM40302
50	ASSY,CABLE,ELLIPTICAL SWINGARM	SM40680	114	CONNECTOR,RF,3MM,F (TV ONLY)	SM17787
51	KEYPANEL,HANDRAIL,LEFT EV916/E916	SM40465	115	WASHER,.250 SPLIT LOCK	SM22027
52	KEYPANEL,HANDRAIL,RIGHT EV916/E916	SM40466	116	SCREW,.250-20X.63,HEX HD CAP	SM22028
53	PCB ASSEMBLY,ELLIPT SWINGARM	SM40692	117	CHR ASSY REPLACMNT KIT	SM40576
56	CABLE,ASSY,T-BAR GRIP TO CONSO	SM40679	118	COVER,ERGOBAR,BACK	SM40552
57	CABLE ASSY,CONSL TO INLINE,ELL	SM40471			

Nautilus EV 9.16 Elliptical

REF #	DESCRIPTION	PART #	REF #	DESCRIPTION	PART #
119	WASHER,FLAT,#4 TYPEB,.125X.250	SM13582		MANUAL,OWNERS,CD,EV916, E916	SM40334
120	COVER,ERGOBAR,FRONT	SM40551		NUT,.250-20,NYLON INSERT	SM22036
121	SCREW,6-32 X 1.5" LG HEX SHC	SM40777		PCB ASSY, C51 LCD DISPLAY	SM40826
122	DECAL,CONSOLE BACK	SM40464		PCBA ASSY	SM40820
123	ASSY,CHR,LEFT,5200 AND 5300	SM40963		SCREW,.250-20X1.25,HEX HD CAP	SM22164
124	ASSY,CHR,RIGHT,5200 AND 5300	SM40964		SIL PAD	SM25206
125	KIT,ASSY,RIGHT,CHR,5300 W/WELD	SM40482	154	BEARING,IGUS JFI-2428-16	SM40564
126	KIT,ASSY,LEFT,CHR,5300 W/WELDM	SM40479	155	ARBOR .010T	SM27554
127	NUT,.500-13,NYLON INSERT	SM22042	156	ARBOR .020T	SM27555
128	KIT,LINK, DEPENDENCY, CAST	SM40317	157	WASHER,NYLON,.750ID X 1.25OD X	SM13598
129	SCREW, 1/2-13 UNC X 2.75L,HHC	SM40347			
130	WASHER,FLAT,.562X1.375 X .109	SM22046			
131	WELDMENT,TURNBUCKLE	SM40321			
132	SPACER,DEPENDENCY ROD-END	SM40396-05			
133	SCREW,.500-13X2.50,HEX HD CAP	SM23092			
134	BRACKET, STRIDE SENSOR, SGNL	SM40401			
135	RING,RETAINER,5100-98,.984" SHA	SM27557			
136	OOM, FLEXIBLE .350 I.D.	SM21135			
137	RECEIVER,PLUG-IN,POLAR	SM25165			
138	FASTENER,HOOK	SM40236			
139	FASTENER,LOOP	SM40235			
140	VIBRATION DAMPER,CAM COVER,FRO	SM40357			
141	ASSY,FOOT PAD,RH,V2,E916/EV916	SM40434			
142	WELDMENT,MAIN FOOTLINK RIGHT	SM40309			
143	SCREW,.250-20X.75,HEX HD CAP	SM22162			
144	SCREW,SHOULDER,.375DIA X 1/2"L	SM40457			
145	BRKT,BRAKE RUBBER,MNTING,R,OUT	SM40461-05			
146	BRAKE,RUBBER	SM40450			
147	BRKT,BRAKE RUBBER MNTING,R,INS	SM40460-05			
148	NUT,5/16-18 NC NYLON INSRT HEX	SM22032			
149	WASHER,FLAT,.312 ID X .526 OD	SM22128			
150	ASSY,FOOT PAD,LH,V2,E916/EV916	SM40435			
151	WELDMENT,MAIN FOOTLINK,LEFT	SM40485			
152	BATTERY KIT	SM14123			
153	ASSY,LOWER CONTROL BOARD BRACK	SM40635			
	ASSEMBLY, RESISTOR	SM25611			
	ASSY.,BC-1,PS	SM25067			
	CLAMP,CABLE,11/16" DIA.	SM22884			
	HOUSING,CONSOLE,BACK	SM40521			
	HOUSING,CONSOLE,FRONT	SM40802			
	IC, CONTACT HR W/MOUNT HEADER	SM27767			
	KEYPANEL,CONSOLE,EV9.16	SM40468			
	KIT,5100 ALTERNATOR ASSY	SM40754			
	KIT,HARDWARE,EV916/E916	SM40481			
	LENS,C51 CONSOLE	SM40803			
	MANUAL,ASSY, E916/EV916	SM40388			