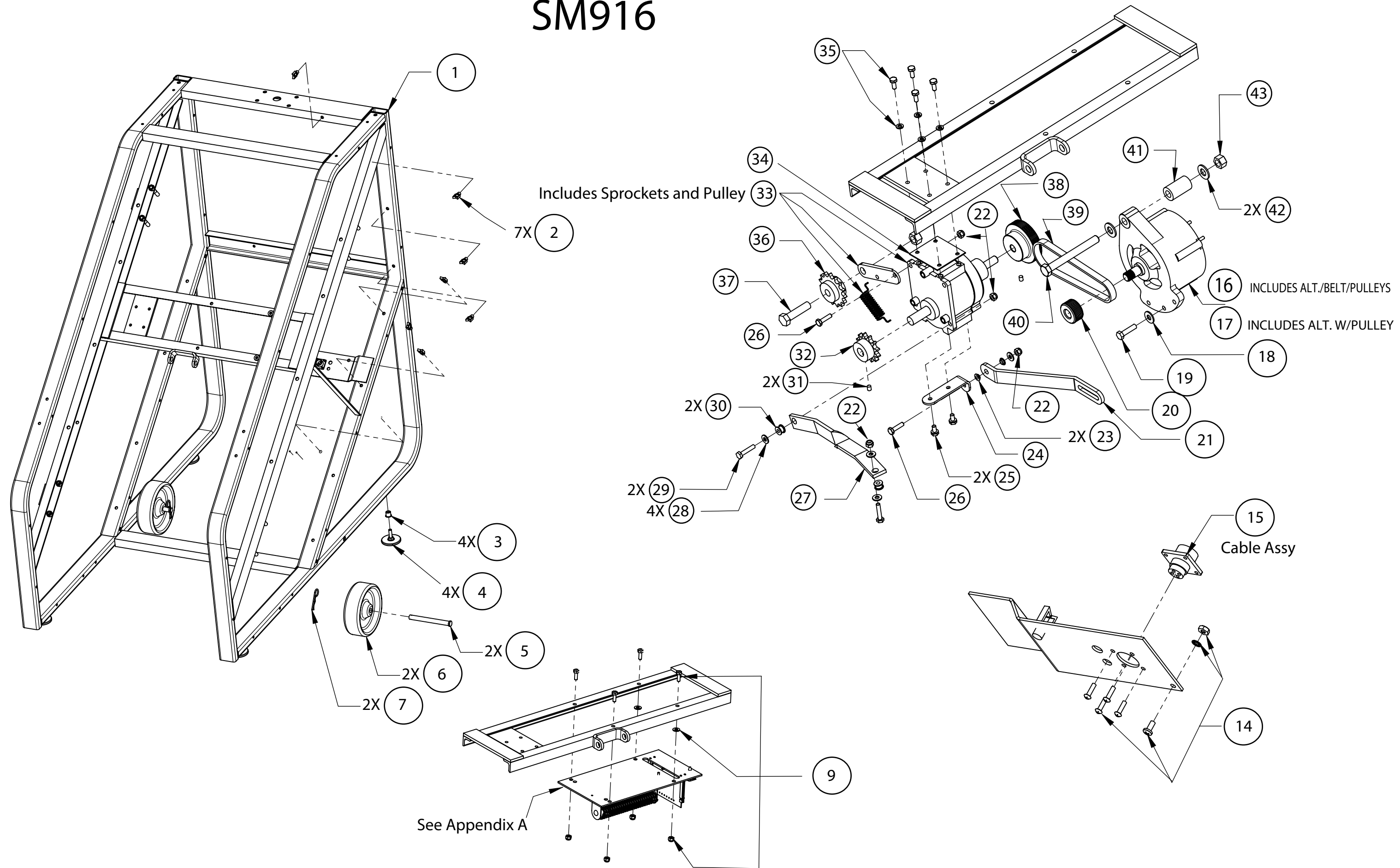


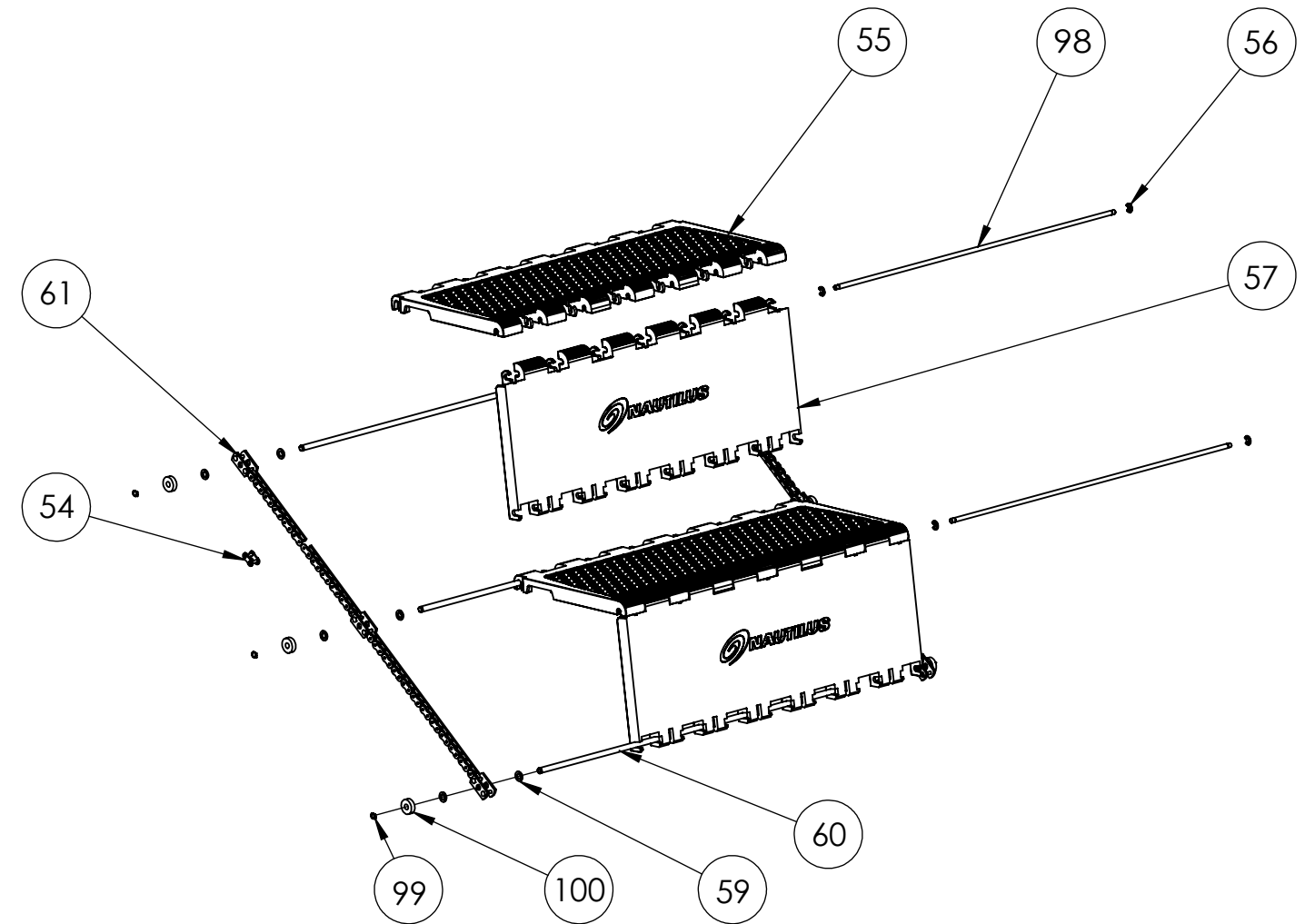
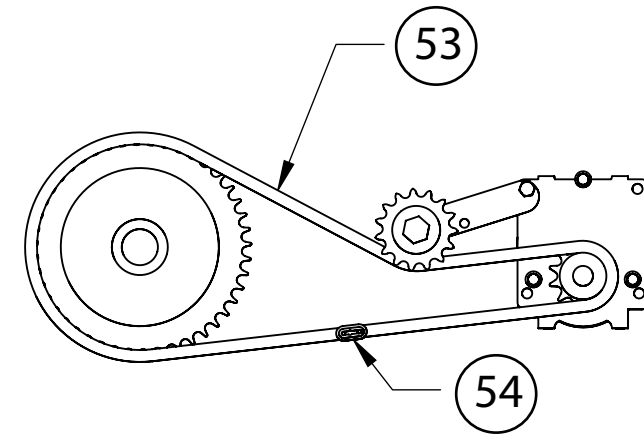
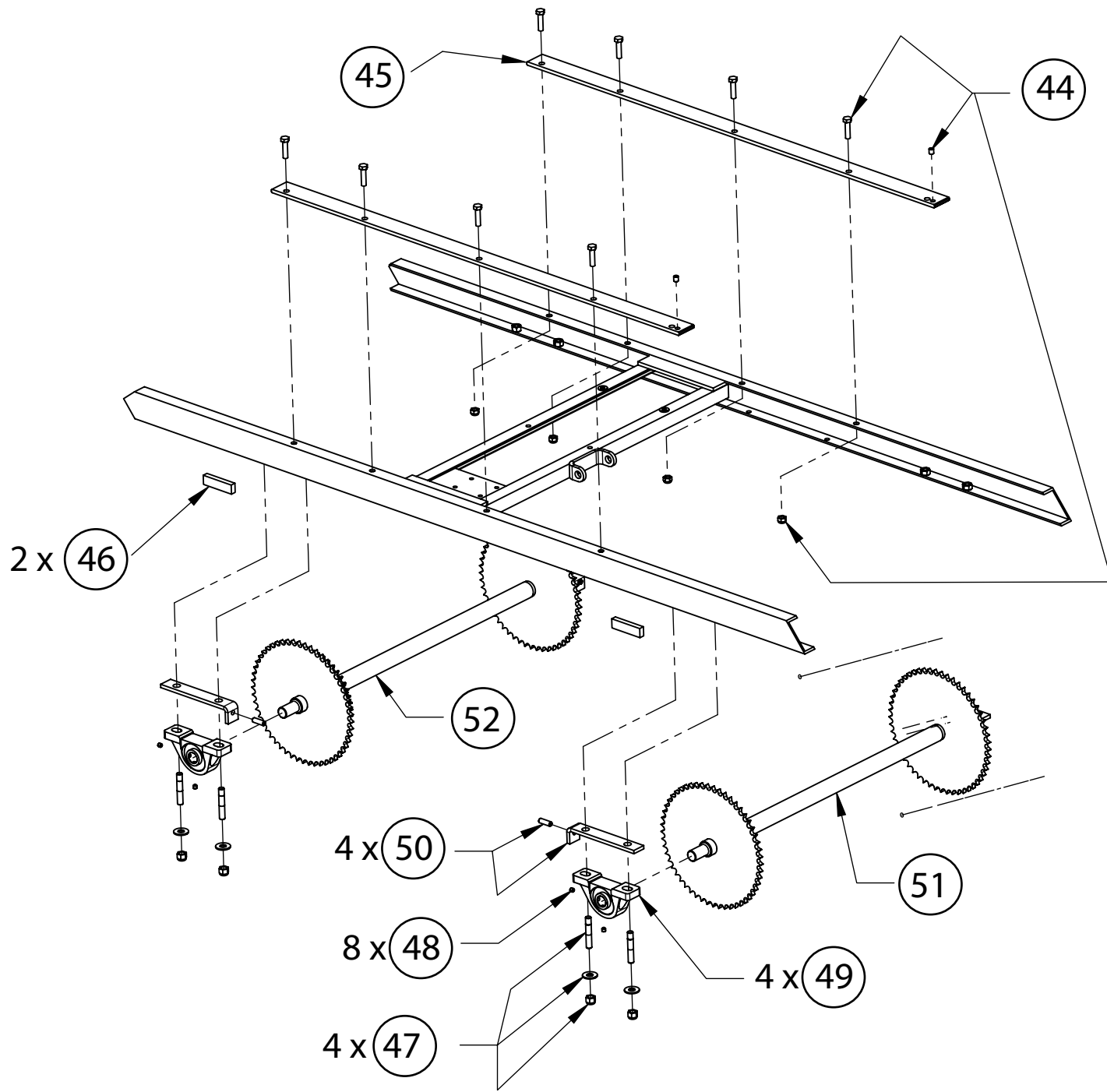
Stairmaster Nautilus SM916 Stepmill
Exploded View Parts Diagram
Domestic with Plastic Steps
2009-2010

Pages 2-14

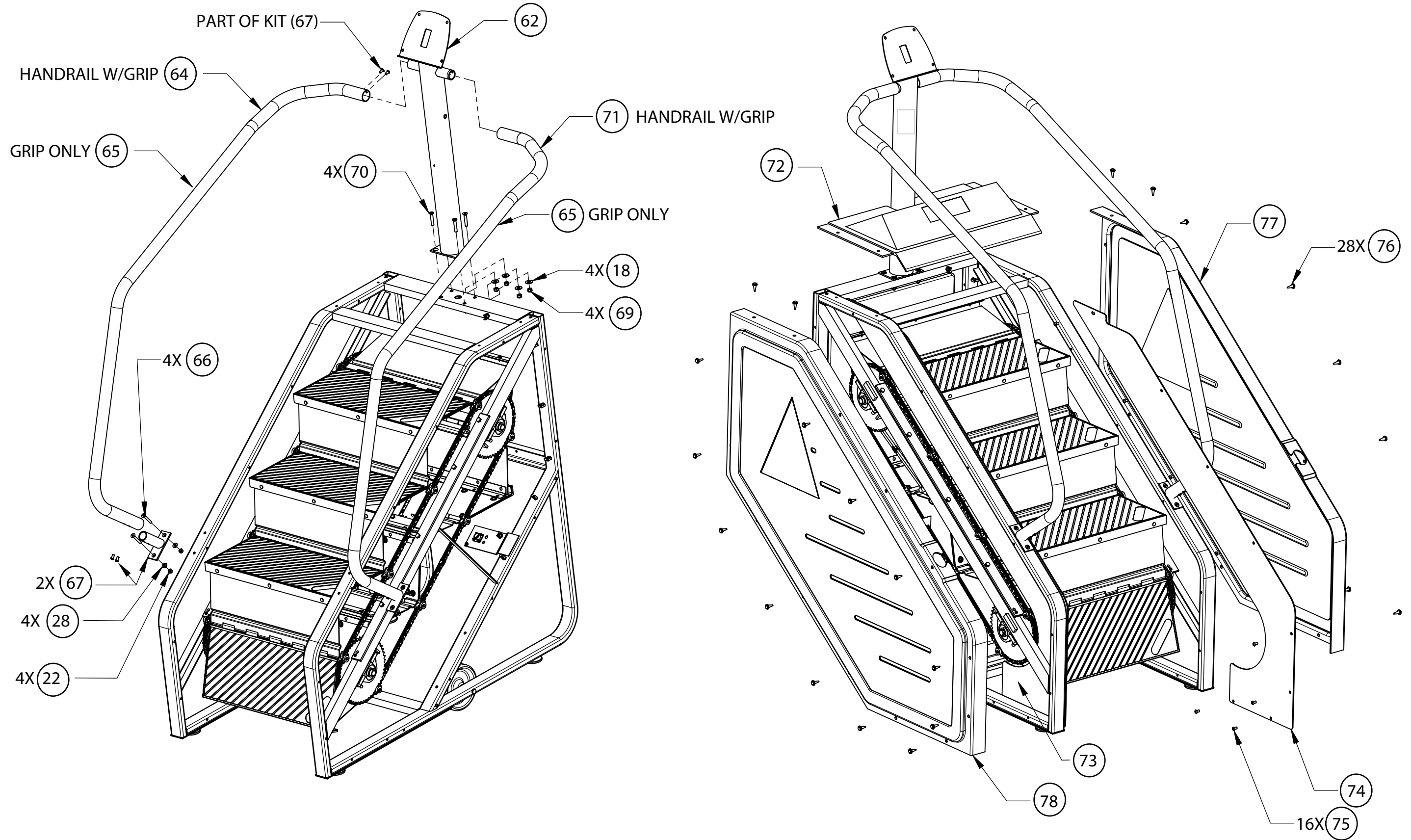
SM916



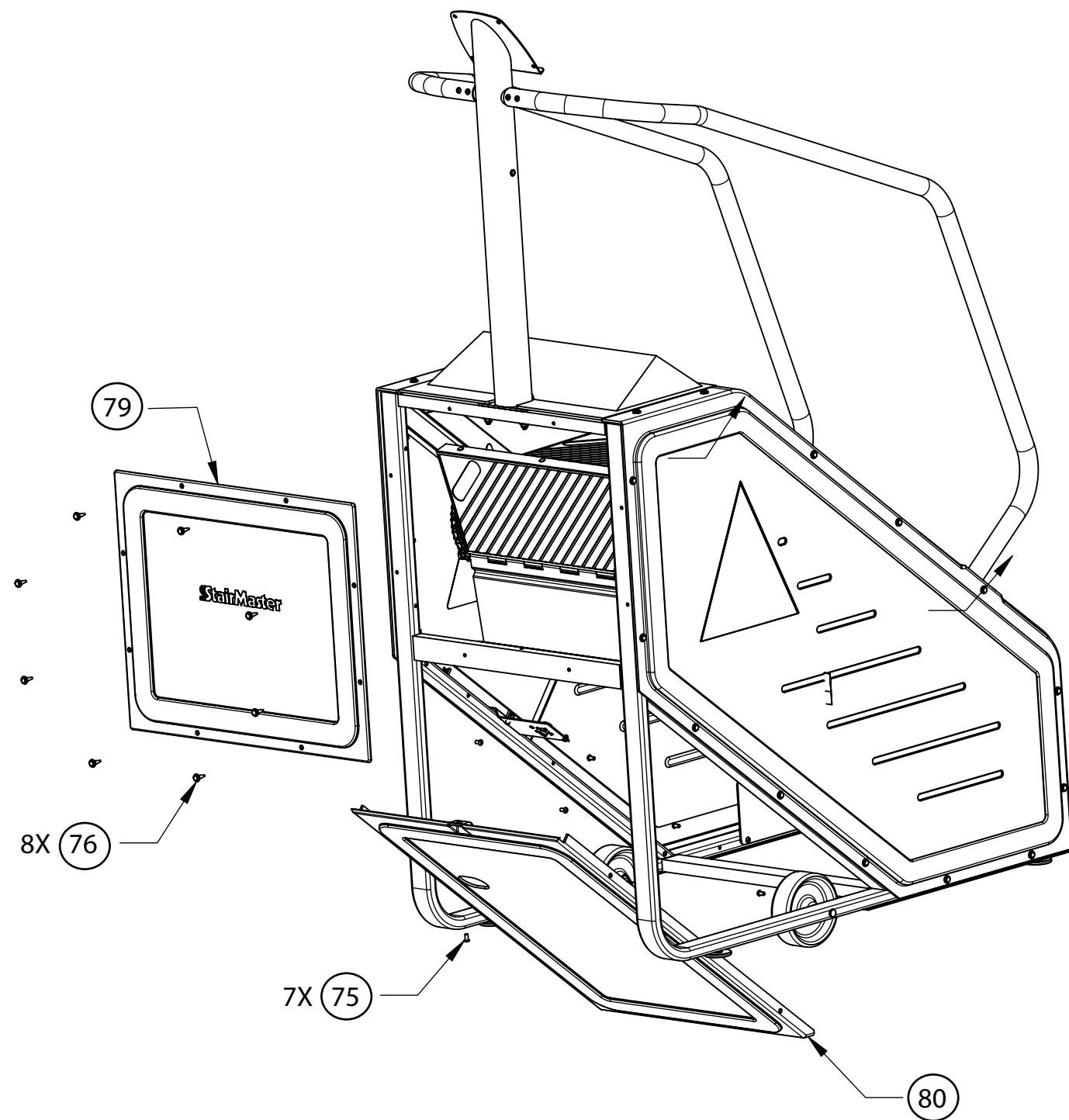
SM916



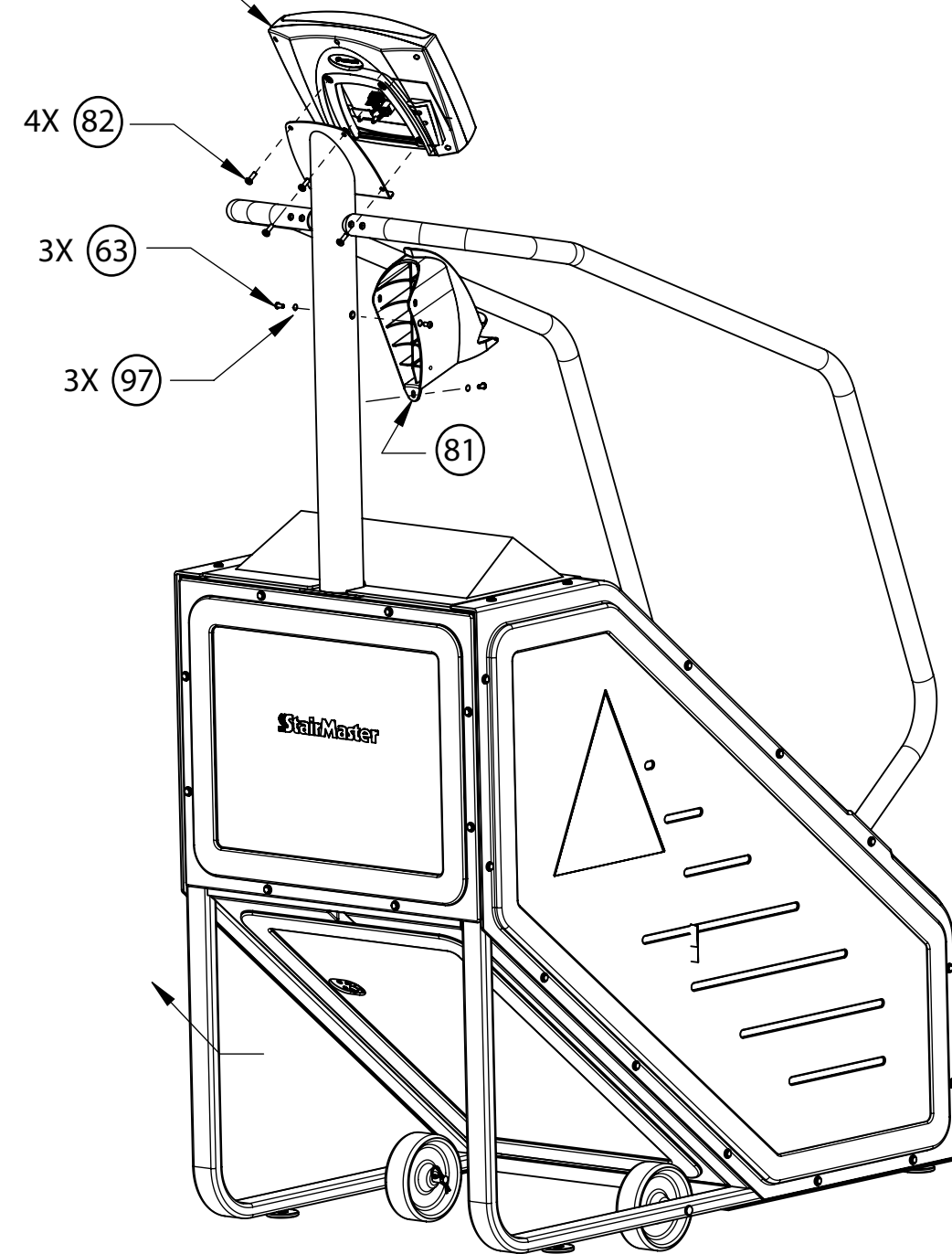
SM916

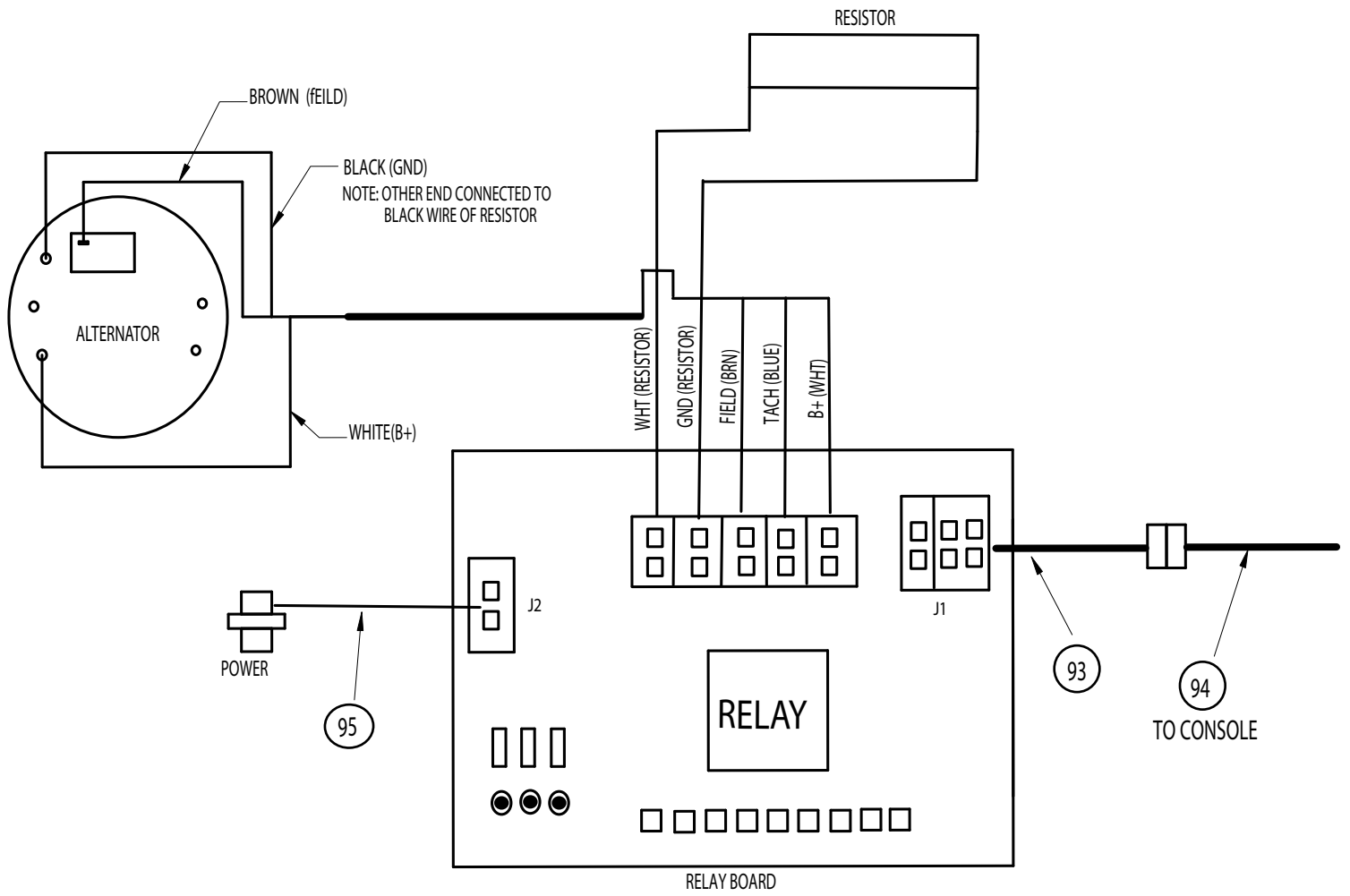


SM916

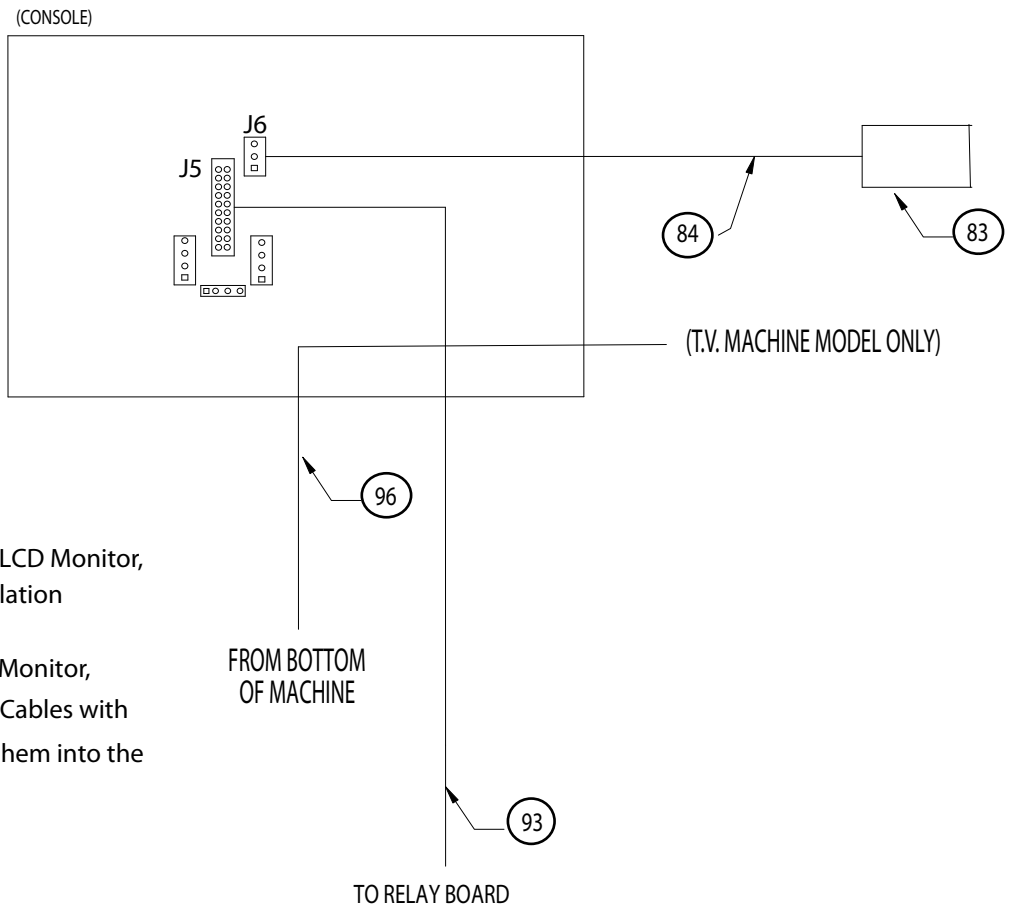


SEE APPENDIX B





SM916 Stepmill Main Power Wiring Diagram

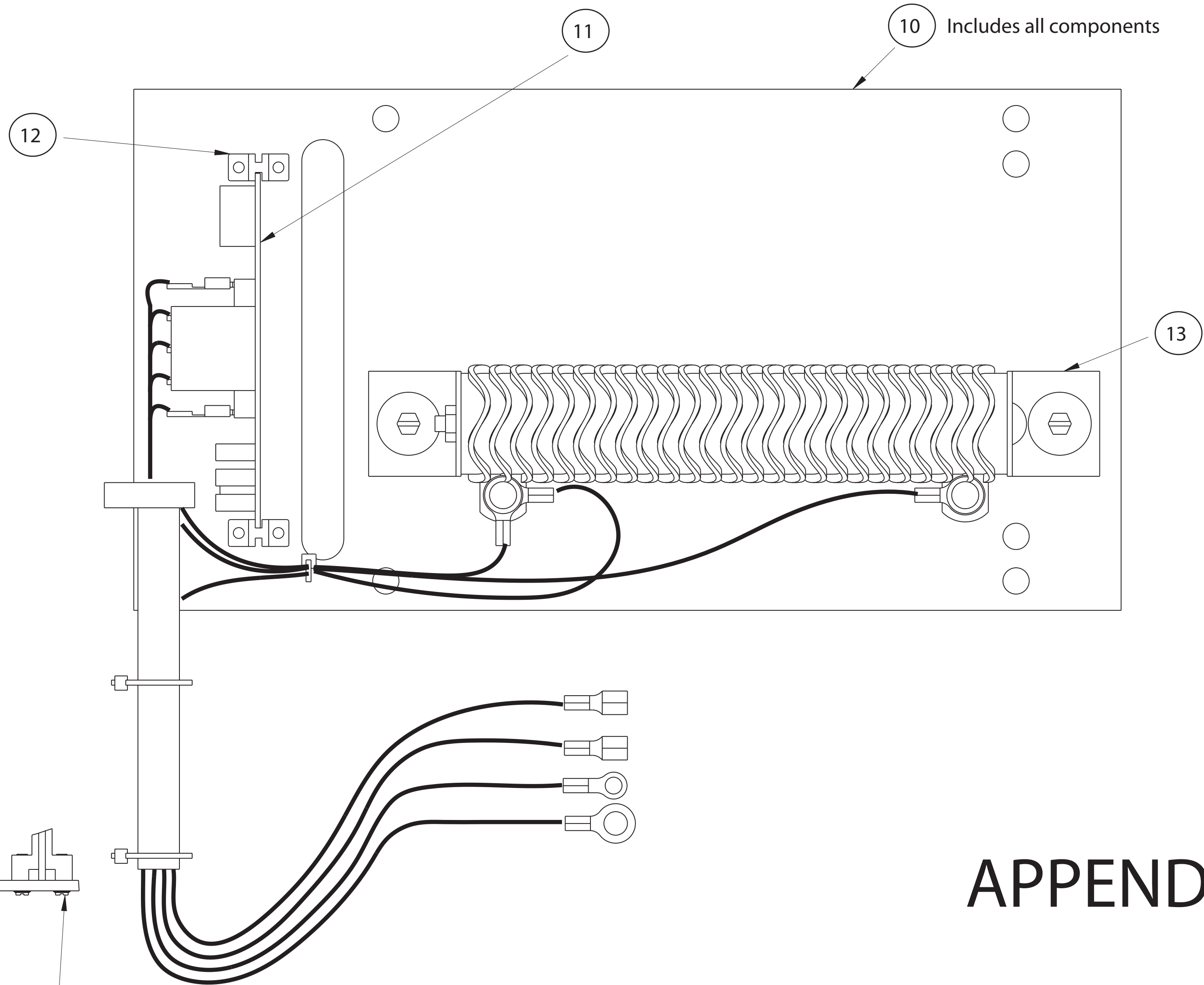


Notes:

If installing the optional LCD Monitor, refer to the NV915 installation manual.

If not installing the LCD Monitor, wrap the ends of the TV Cables with electrical tape and tuck them into the Mast.

SM916 Stepmill Console Telemetry Heart Rate Wiring Diagram



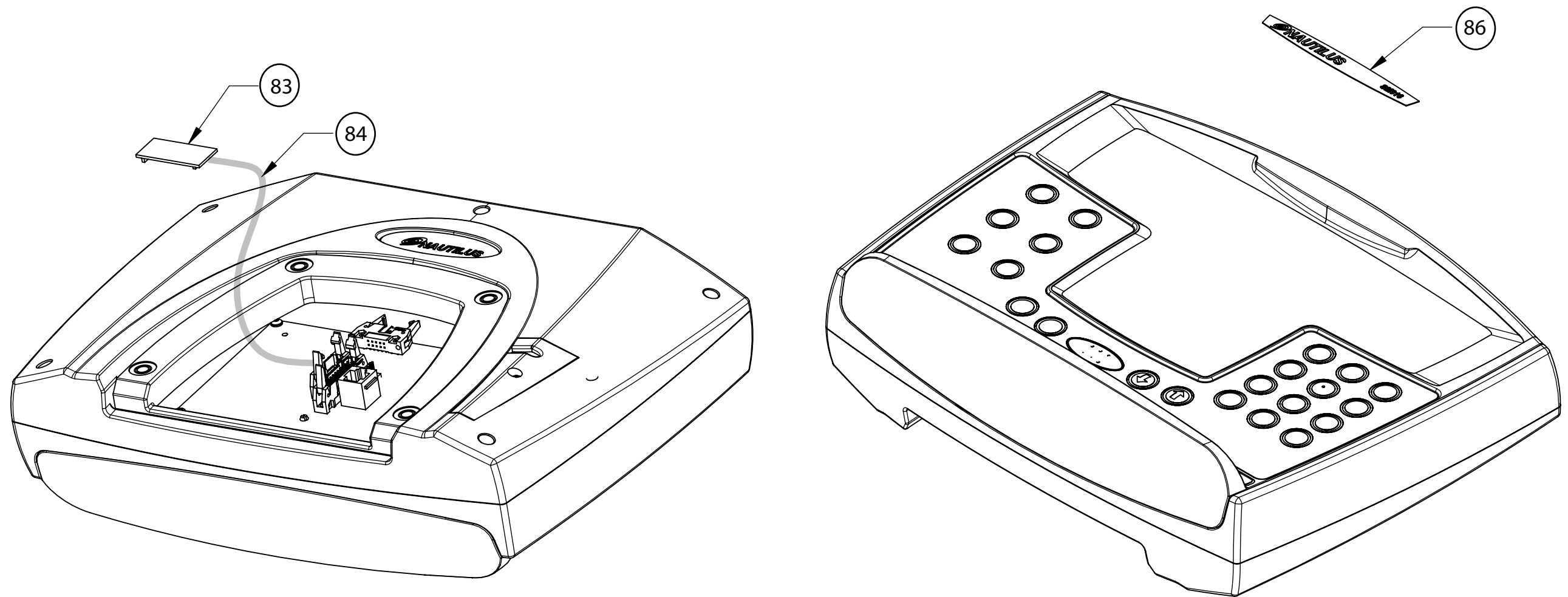
APPENDIX A

SCREW, LOCK WASHER,
AND FLAT WASHER

IF HARDWARE IS NOT FURNISHED
USE 2 X 27310 (SCREW) AND 2X
13582 (WASHER)

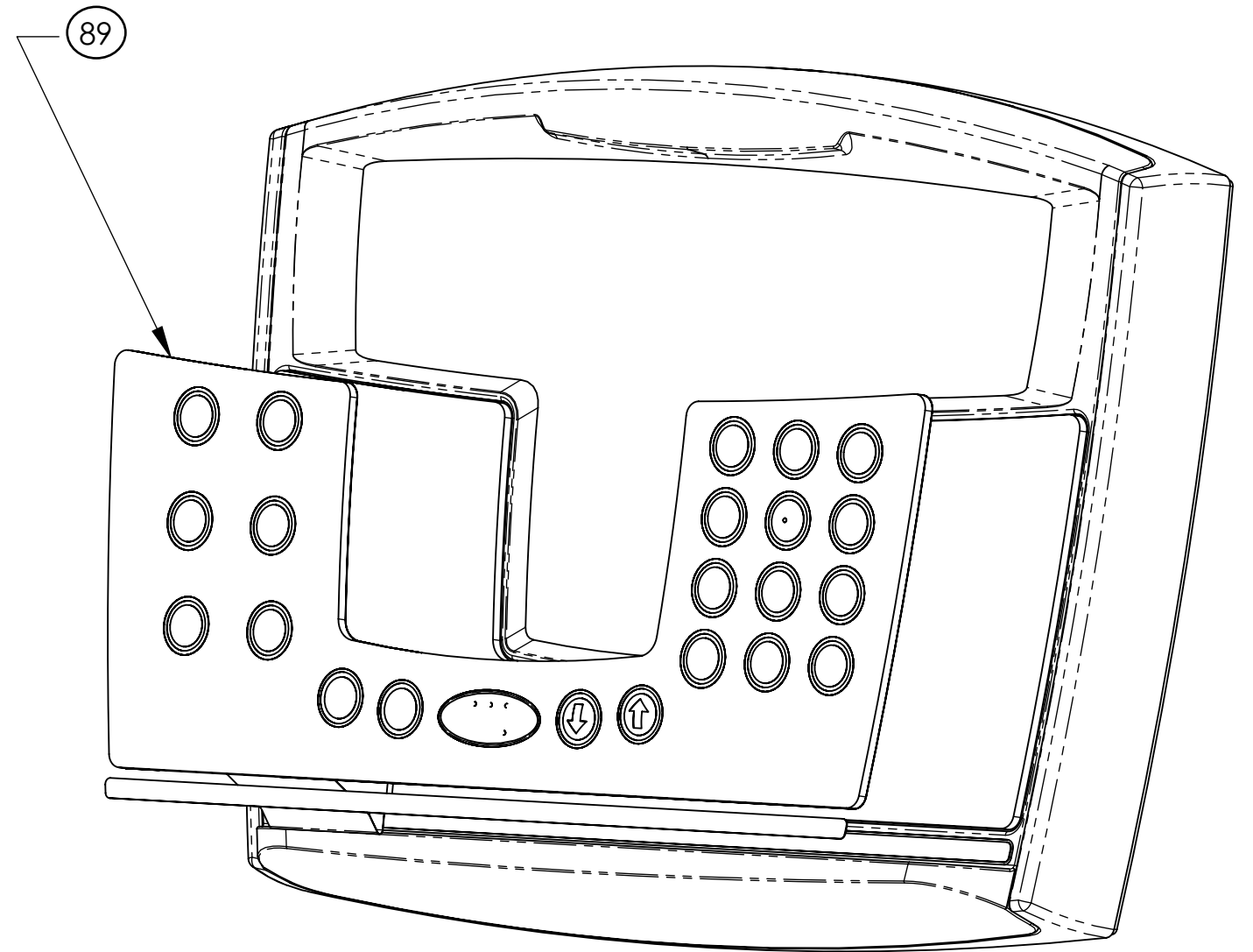
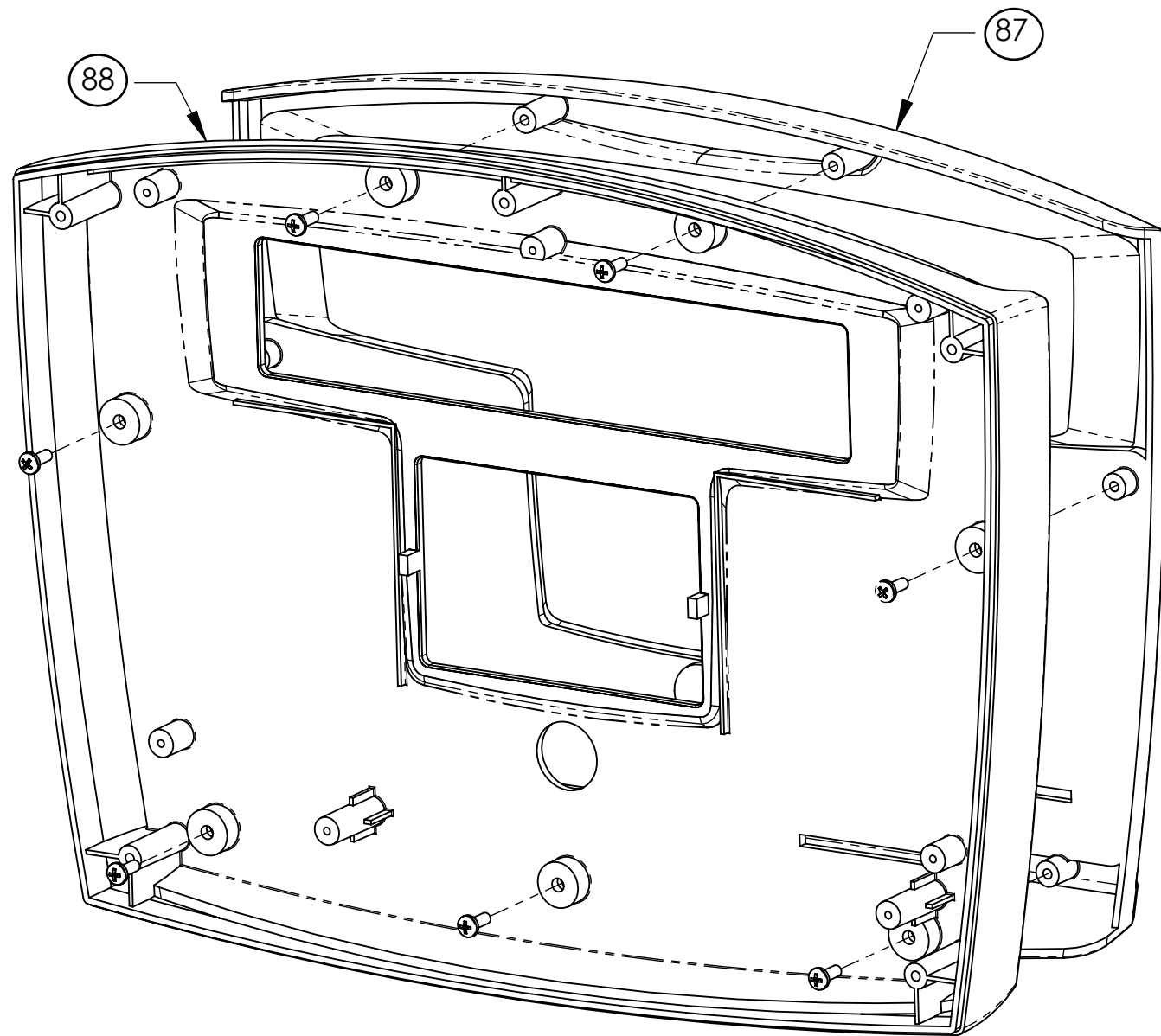
APPENDIX B

85 (ASSY, CONSOLE, SM916)



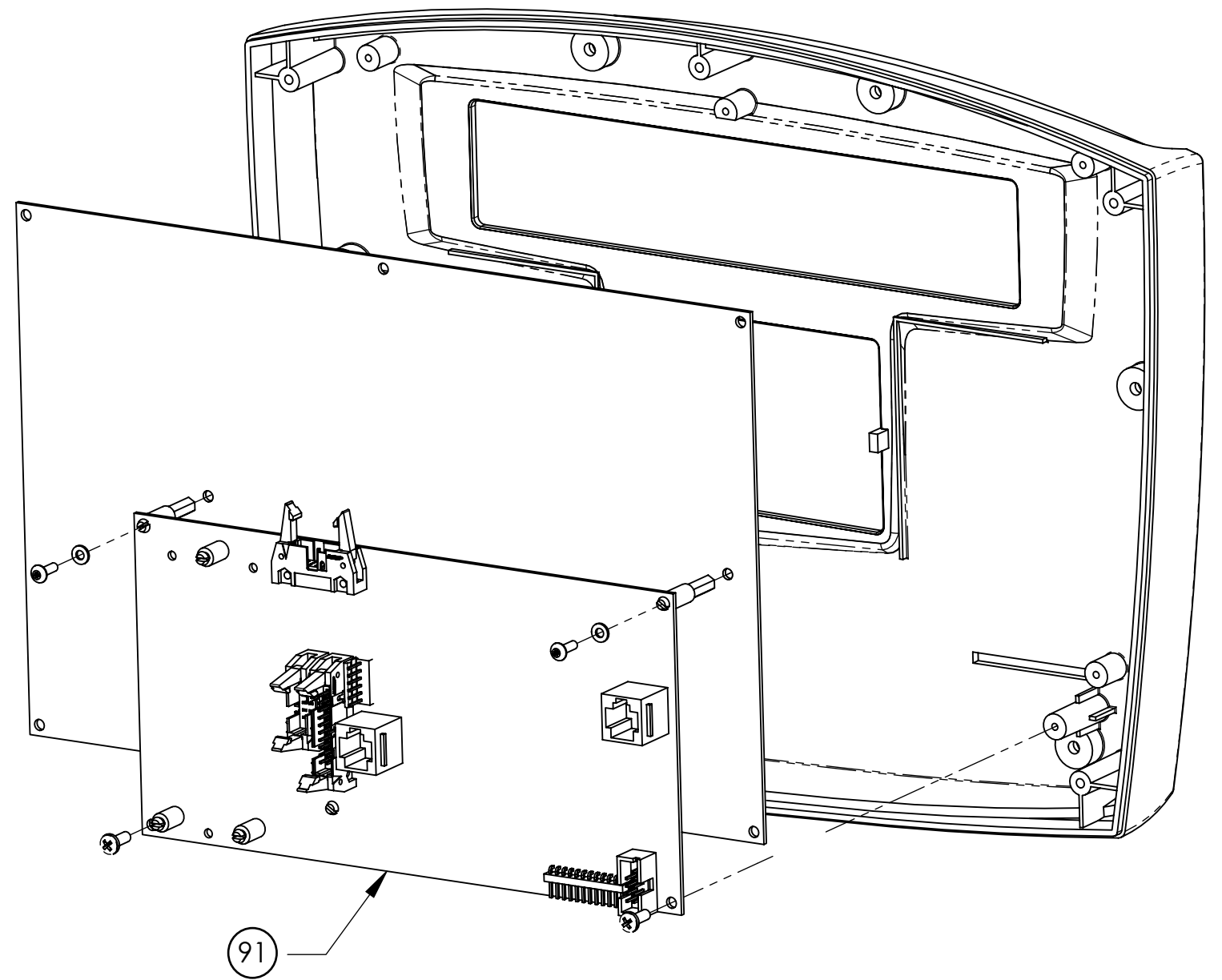
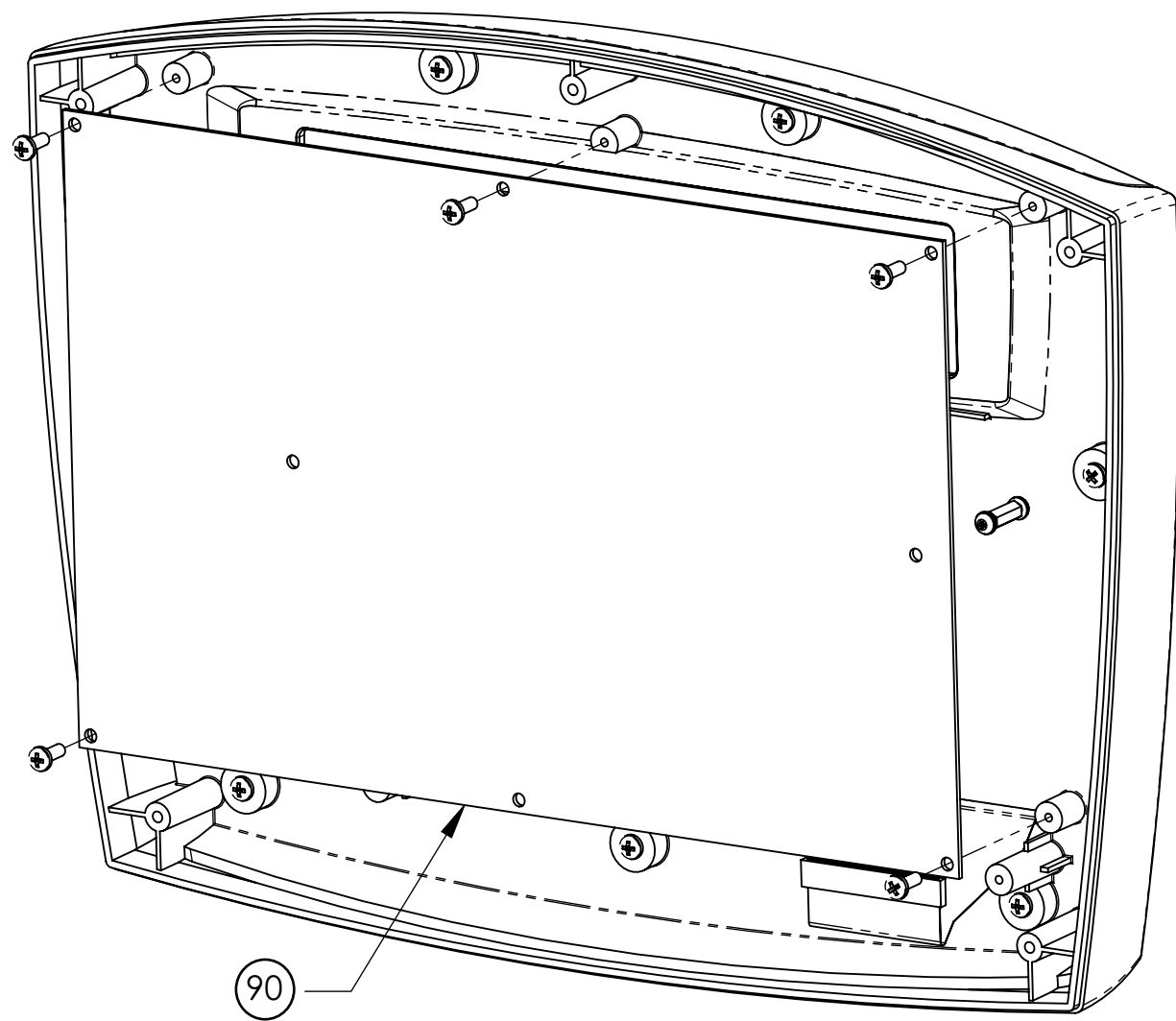
APPENDIX B

85 (ASSY, CONSOLE, SM916)



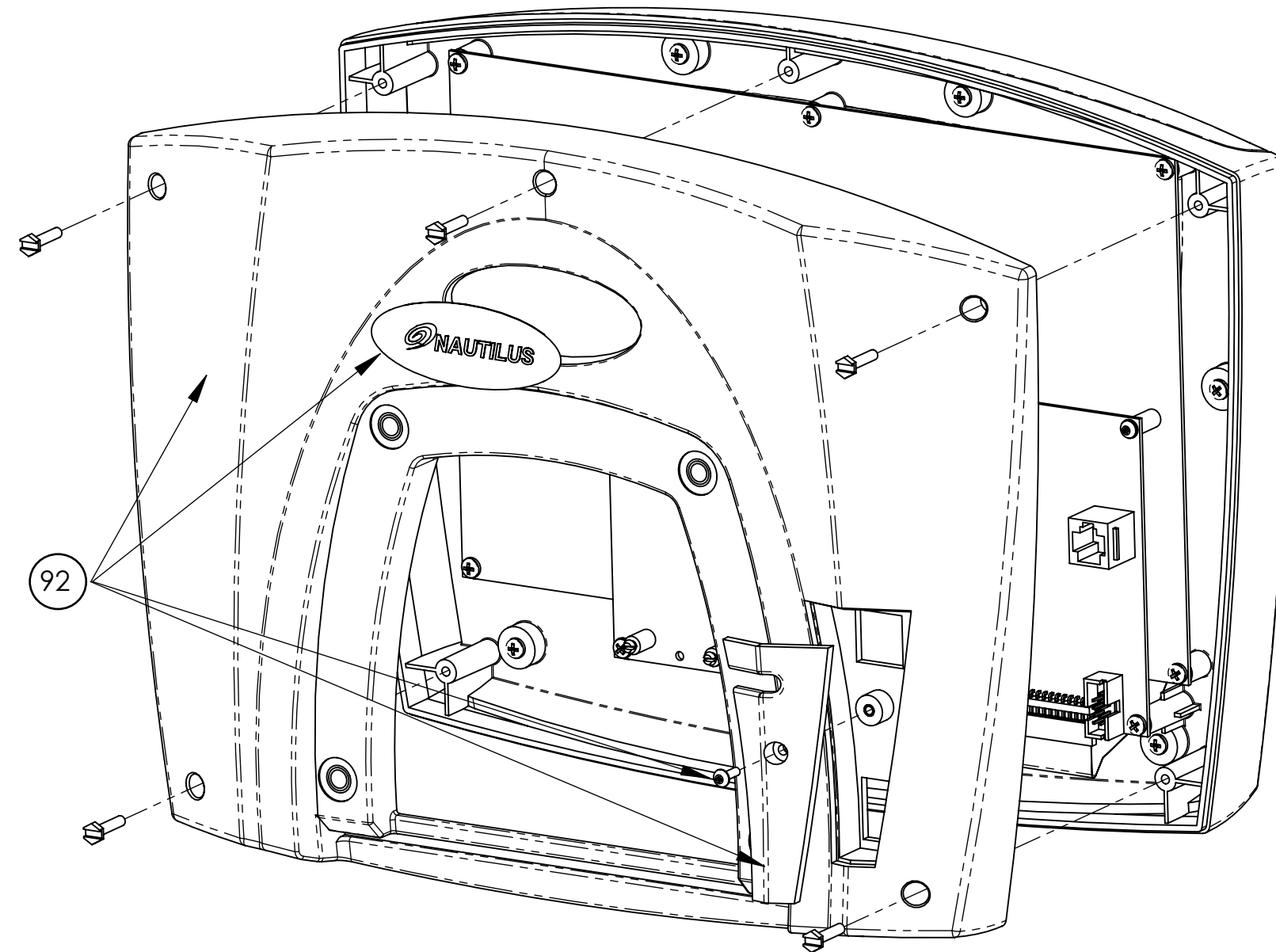
APPENDIX B

85 (ASSY, CONSOLE, SM916)



APPENDIX B

85 (ASSY, CONSOLE, SM916)



SM9.16 STEPMILL, DOM

(SM00140-001,-002,-004,-005)

REF.	P/N	DESCRIPTION
1	003-3747	ASSY,FRAME,DOMESTIC,SM916
2	SM23792	SADDLE, WIRE
3	SM21767	RIVNUT..312-18 UNC
4	SM20017	LEG LEVELER
5	SM22839	PIN.CLEVIS..50 DIA. X 5.00
6	SM20036	WHEEL.TRANSPORT
7	SM22047	Washer,Flat,1/4 ID X 5/8 OD
9	SM25863	KIT,RELAY/RESIST,MOUNTNG HW,70
10	SM22933	ASSY,RELAY/RESISTOR,7000PT
11	SM23545	ASSY,PCB,RELAY,STEPMILL
12	SM21140	CARD GUIDE, VERTICAL PC
13	SM24989	RESISTOR,0.5 OHM, 240 WATT
14	SM25869	(CS)KIT,POWER CONN,HW,7000PT
15	SM21768	Assy,Main Power Harn,V2,7000
16	SM21164	ALT/POL-V BELT/PULLEYS, STEPMILL
17	SM23830	(CS)ALT/PULLEY,Prestolite
18	SM22075	Washer,5/16 Flat
19	SM22146	Screw,5/16-18 X 1-1/4 Hex
20	SM21247	Pulley,Alternator,Poly-V,Prest
21	SM10860	BRACKET TRANSMISSION 7000PT
22	SM22036	Nut,1/4-20 NC Nylon Insert
23	SM22983	Wshr, Sholdr, .25 ID Nylon
24	SM20547	Bracket,Trans,Out
25	SM22139	Screw,1/4-20 X 1/2 Self Tap
26	SM22026	Screw, .250-20 NCx1.0 Hex HD
27	SM10059	BRACE.TRANS.
28	SM22038	Washer,1/4,Flat
29	SM22164	Screw, .250-20x1.25,Hex HD Cap
30	SM22435	Grommet, .25 IDx .44 OD
31	SM22037	Screw,Set 1/4-20 NC X 3/8
32	SM23427	SPROCKET. DRIVE
33	SM22434	ASSY,SPEED REDUCER,7000 PT,SV
34	SM20808	Pad,Trans,Rubber
35	SM25497	KIT,TRANSMISS,MOUNTNG HW,7000P
36	SM20007	SPROCKET.IDLER
37	SM22043	SCREW..500-13 NC X 2.0 HEX HD
38	SM24662	Pulley,Transmission,Poly-V
39	SM20202	Belt,Alternator,Poly-V (7000)
40	SM26669	SCREW..500-13x4.50.HEX HD CAP
41	SM20114	Spacer, Alternator
42	SM22091	WASHER.1/2 SAE FLAT
43	SM22042	NUT.1/2-13 NC NYLON INSERT
44	SM25498	(CS)KIT,BEARING PLATE,HW,7000P
45	SM22848	AFTER 9/14/00 BEARING PLATE V2
46	SMQ36271-001	Foam,Pad
47	SM25862	(CS)KIT,PILLOW BLOCK,HW,7000PT
48	SM22427	SCREW.SET.SOCKET..250-28 X .25
49	SM20012	Bearing,Pillow Block
50	SM10037-03	BEARING.ADJUSTER.STEPMILL.
51	SM10205-03	LOWER SPRKT ASSY - 7000PT
52	SM23424-03	Wldmnt,Sprckt,Upper,Wrbk/Pwrc

REF.	P/N	DESCRIPTION
53	SM23257	Chain, Drive #40, 41,5
54	SM25439	LINK, MASTER, #40
55	14338	STEP, TOP
56	002-0774	E-RING
57	SM14337	STEP, RISER
58	SM20508	Fastener, Push Nut
59	SM22128	WASHER, FLAT
60	SM22849	SHAFT.STEP.7000 PT.V2
61	SM27268	ASSY,STEP DRIVE CHAIN W/LINK
62	003-3748	ASSY,UPPR MAST,W/DECAL,SM916
63	10829-365	Screw,.250-20 x 1 Button HD Cp
64	002-0793	ASSY,HANDRAIL,LH,SM916
65	003-3494	HANDGRIP,SM916
66	003-3504	SCREW,1/4-20 x 1.75,ALLEN DR,F
67	003-3793	KIT,LWR HANDRAIL BRACKET,SM916
69	SM22032	Nut, 5/16-18 NC Nylock
70	003-3505	SCREW,5/16-1.75,ALLEN DR, FH,BL
71	002-0794	ASSY,HANDRAIL,RH,SM916
72	003-3749	ASSY, TOP PANEL, W/DECAL, SM916
73	SM25859	PANEL,INS,LH,7000 PT,NLS GREY
74	SM25858	PANEL,INS,RH,7000 PT,NLS GREY
75	SM24757	Rivet Plastic Perm 7000PT
76	SM22086	Rivet,Panels, Weight Stack
77	003-3750	ASSY,PANEL,MAIN,RH,W/DCL,SM916
78	003-3484	ASSY,PANEL,MAIN,LH,SM916
79	SM25573	PANEL,BACK,NLS,Charcoal Grey
80	003-3709	PANEL,BOTTOM,PRESSURE FRMD,SM916
81	003-3489	BOTTLE HOLDER,SM916
82	SM40670	SCW,PH,W/LWSHR ,#1/4-20x.75
83	SM41187	PCBA, TELEMETRY HEART
84	SM41702	Assy,CBL,Telemetry Heart Rate
85	003-3625	ASSY,CONSOLE,SM9.16
86	003-3480	DECAL,CONSOLE TOP,SM916
87	SM40803	Lens,C51 Console
88	SM40802	Housing, Console, Front
89	SM40468	KEYPANEL,CNSL,GENERIC
90	SM40826	NTR 7-18 DISPLAY PCBA
91	SM40820	Assembly, PCBA
92	003-3688	(CS)ASSY,REAR HOUSING,C51
93	003-3795	Assy, Console Cable SM916
95	SM21768	Assy,Main Power Harn,V2,7000
96	003-3507	ASSY,HARNESS,TV/PWR,SM9.16
97	SMQ19409-004	FLAT WASHER,BLK, .281 I.D.
98	14336	SHAFT, STEPMILL SM916
99	050-0018	WASHER, SPRING WAVE
100	23082	BEARING, 608ZZ

SM9.16 STEPMILL, DOM**(SM00140-001,-002,-004,-005)****NOT SHOWN ON DIAGRAM**

	003-3752	KIT,OM,SM916,NORTH AMERICA
	895-0003	Power Supply,Global - (See note at right)
	SM23853	TOOL FASTENER REMOVAL

Order power cord for the country of use.

895-0010 - US/CAN AC line Cord Set

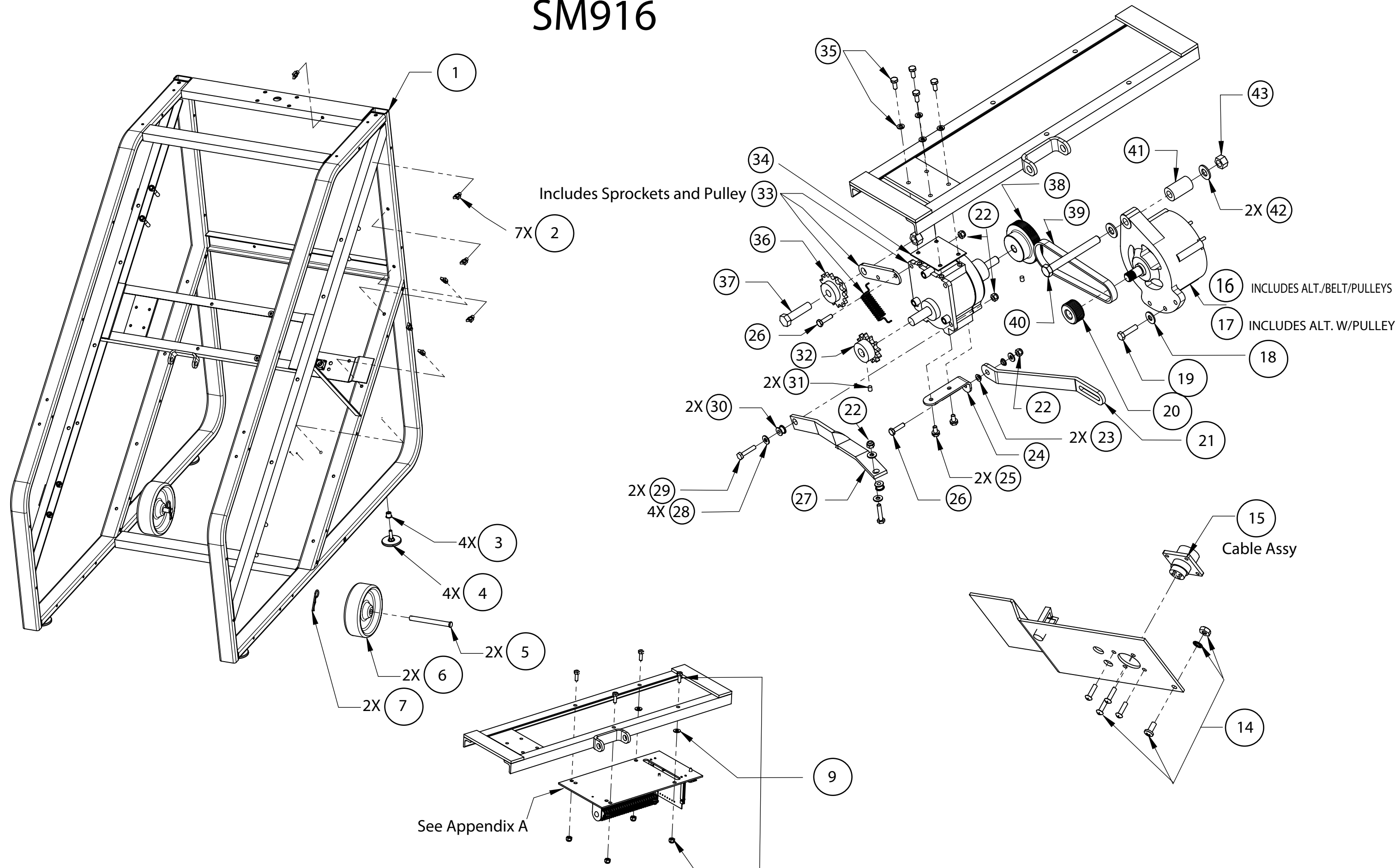
895-0011 - UK AC line Cord Set

895-0012 - AS/NZS AC line Cord Set

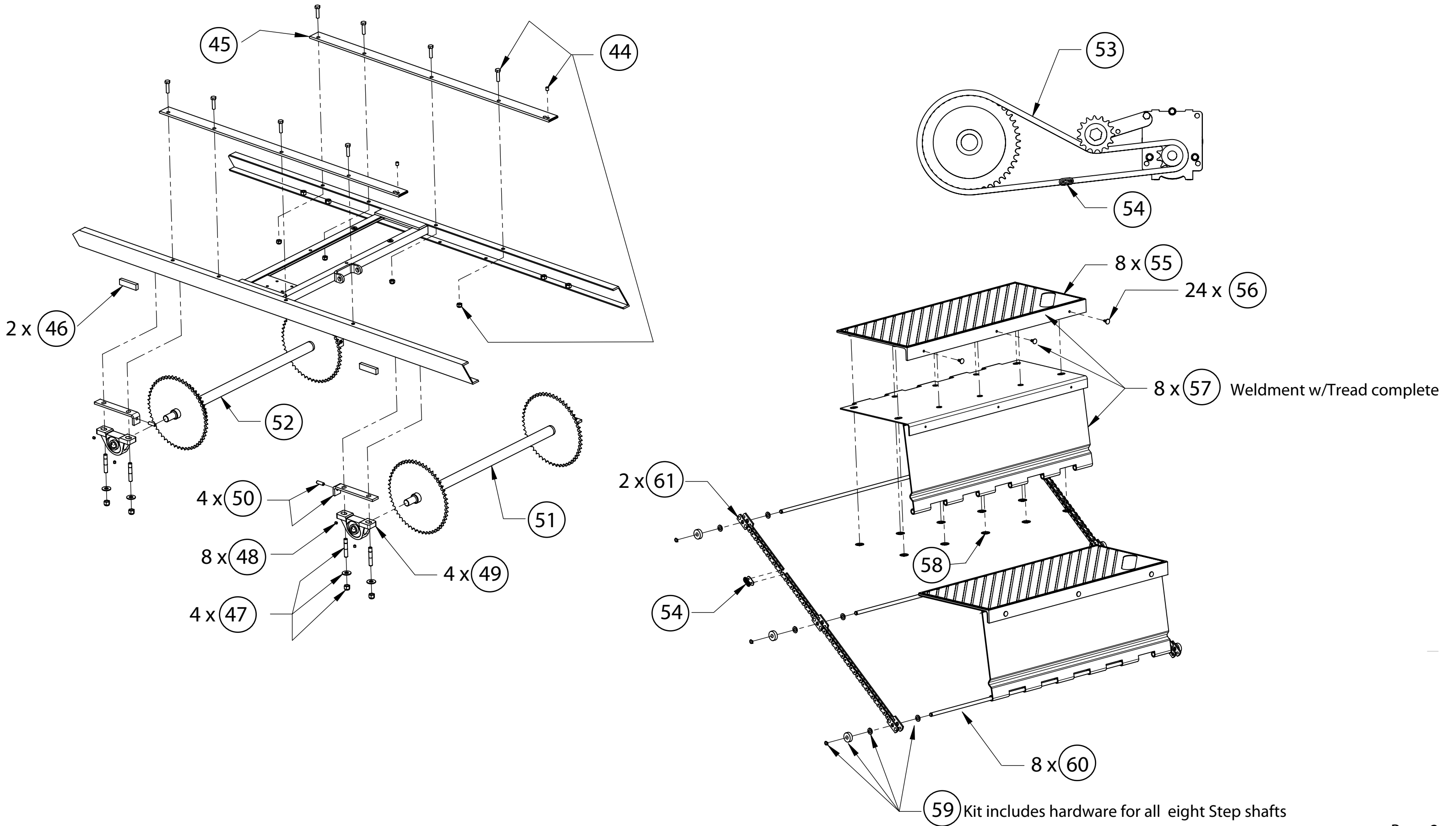
895-0013 - German AC line Cord Set

895-0014 - China AC line Cord Set

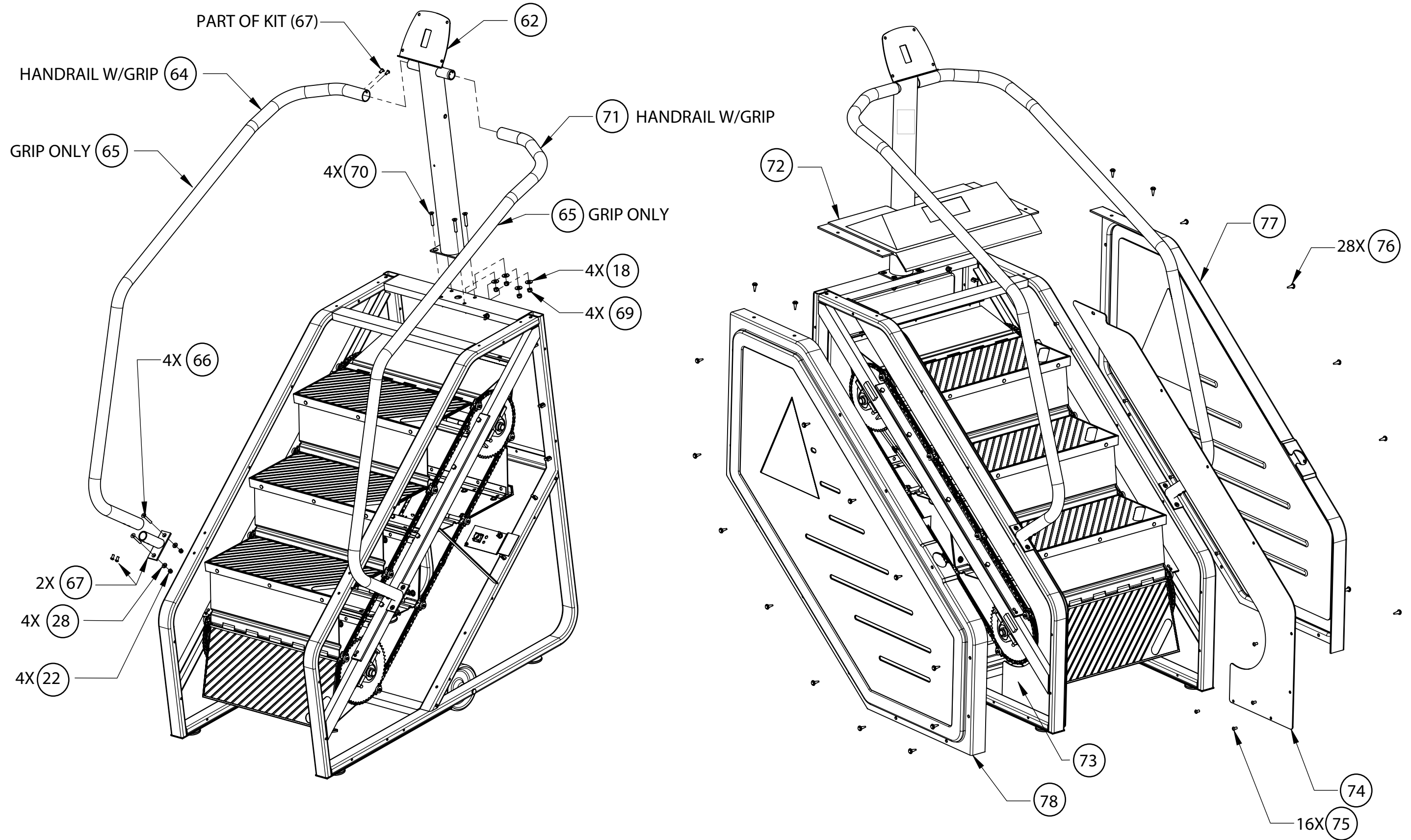
SM916



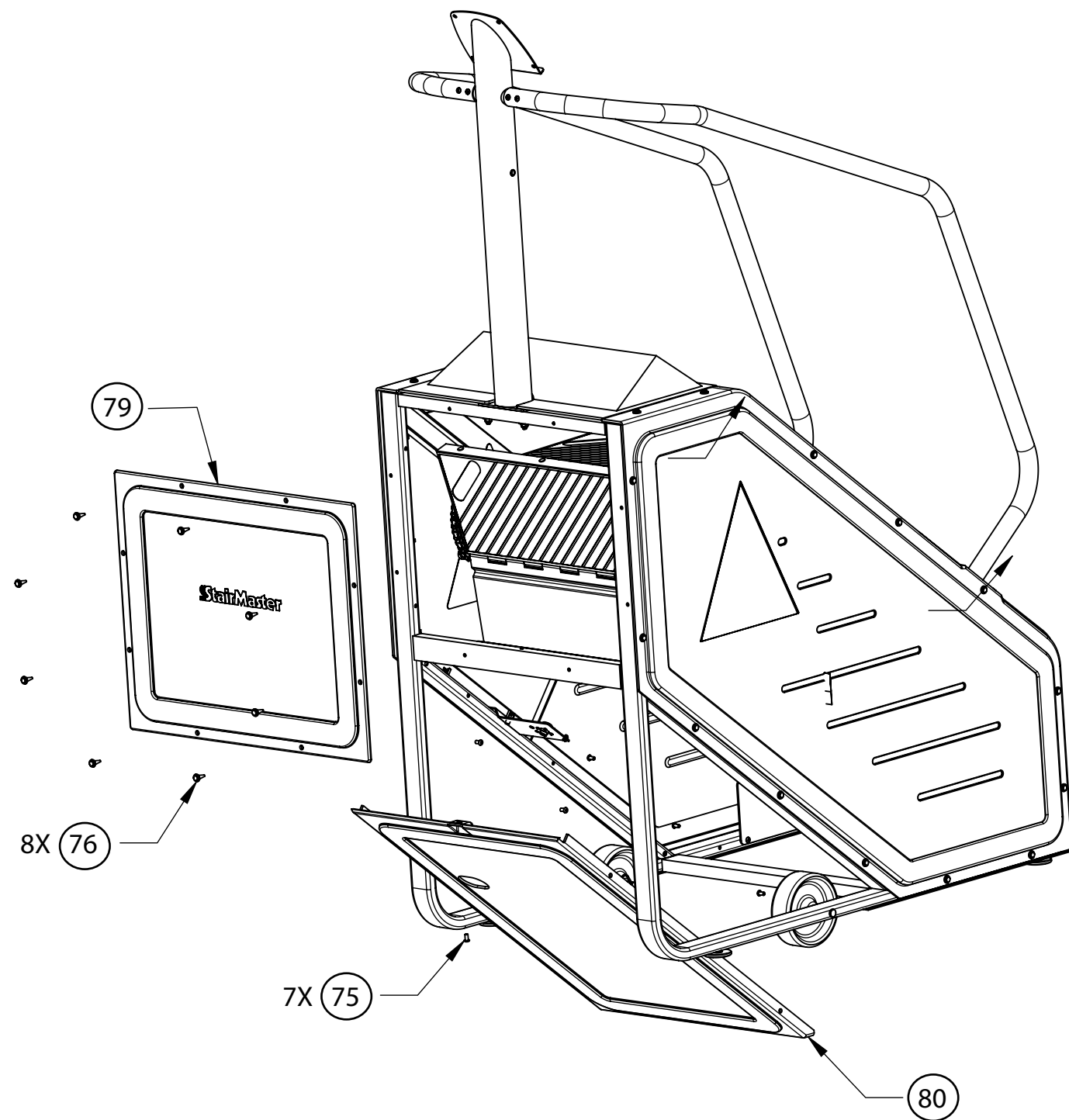
SM916



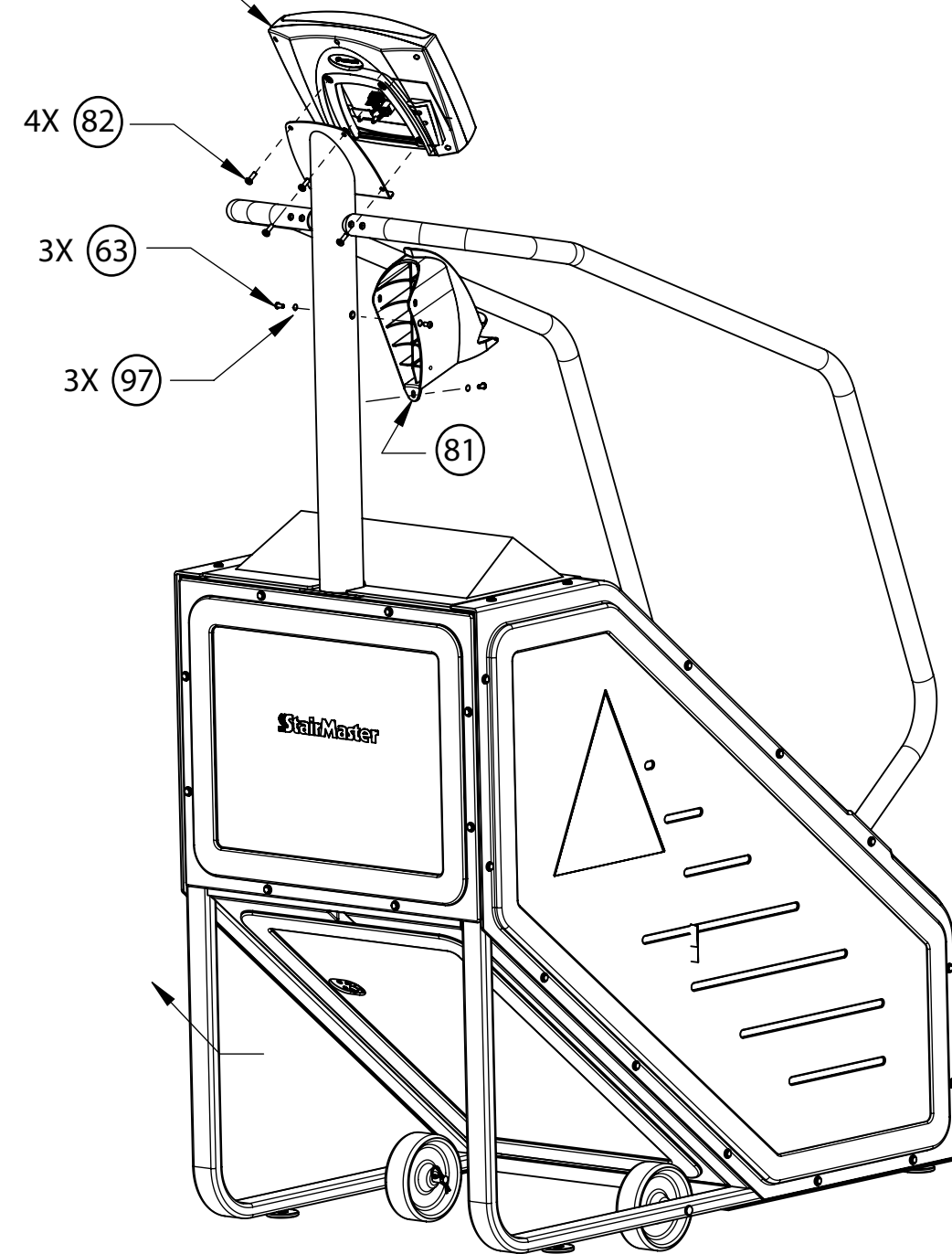
SM916

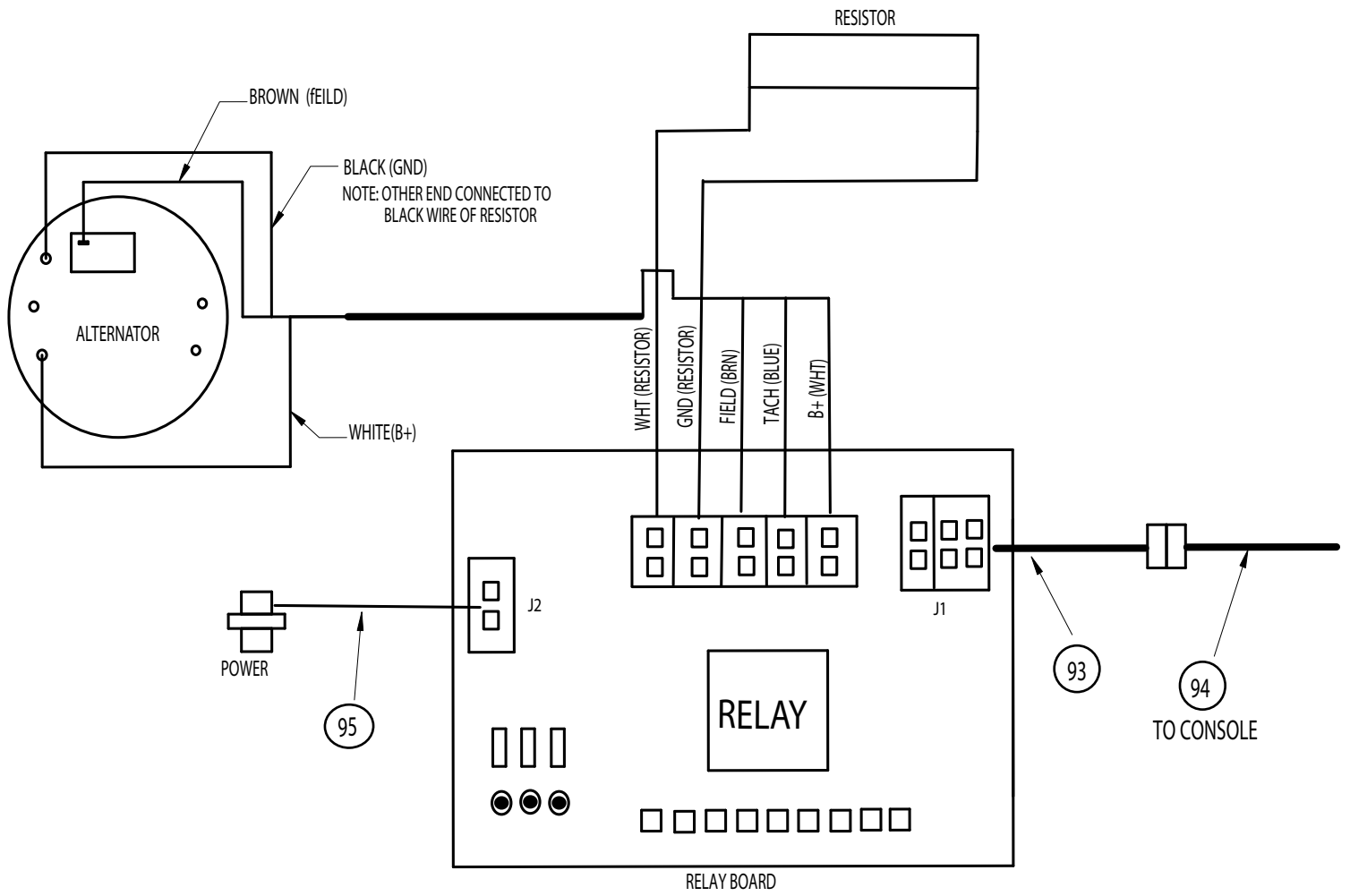


SM916

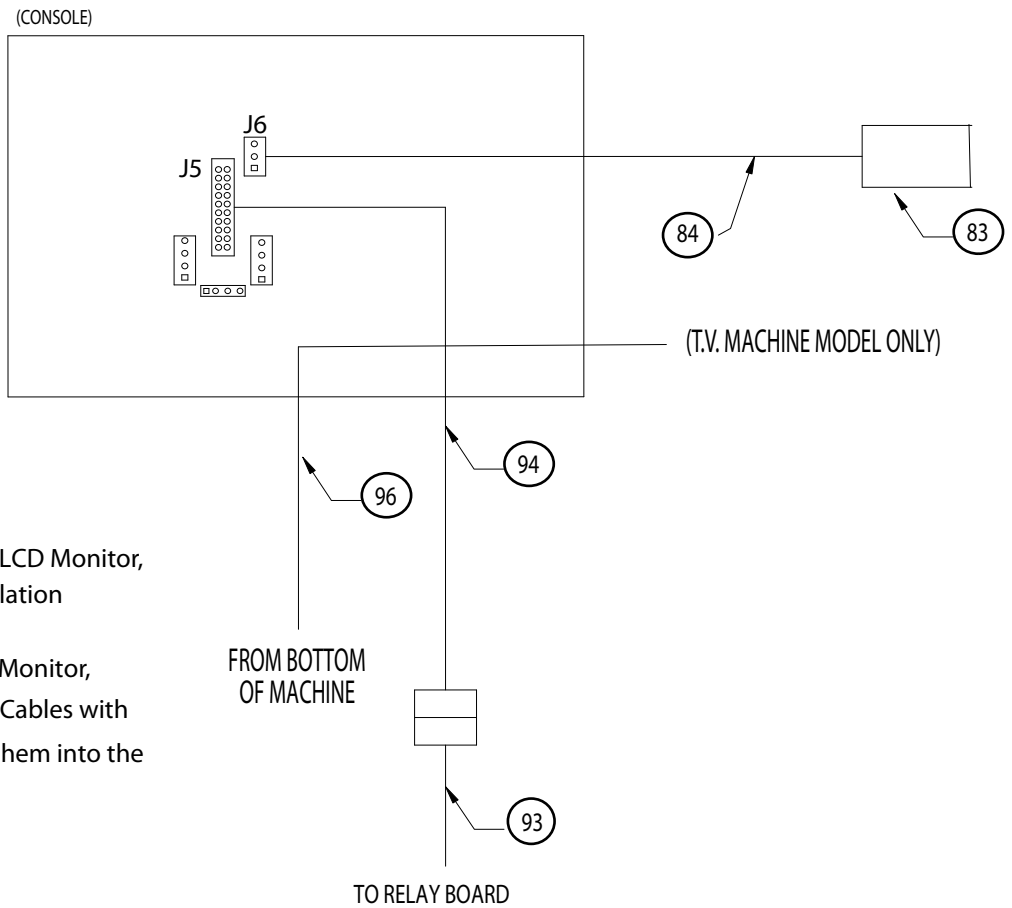


SEE APPENDIX B





SM916 Stepmill Main Power Wiring Diagram

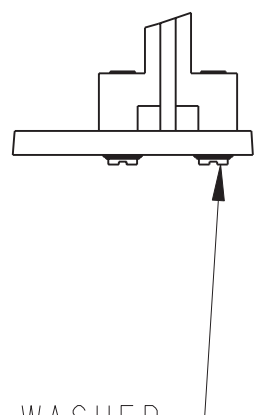
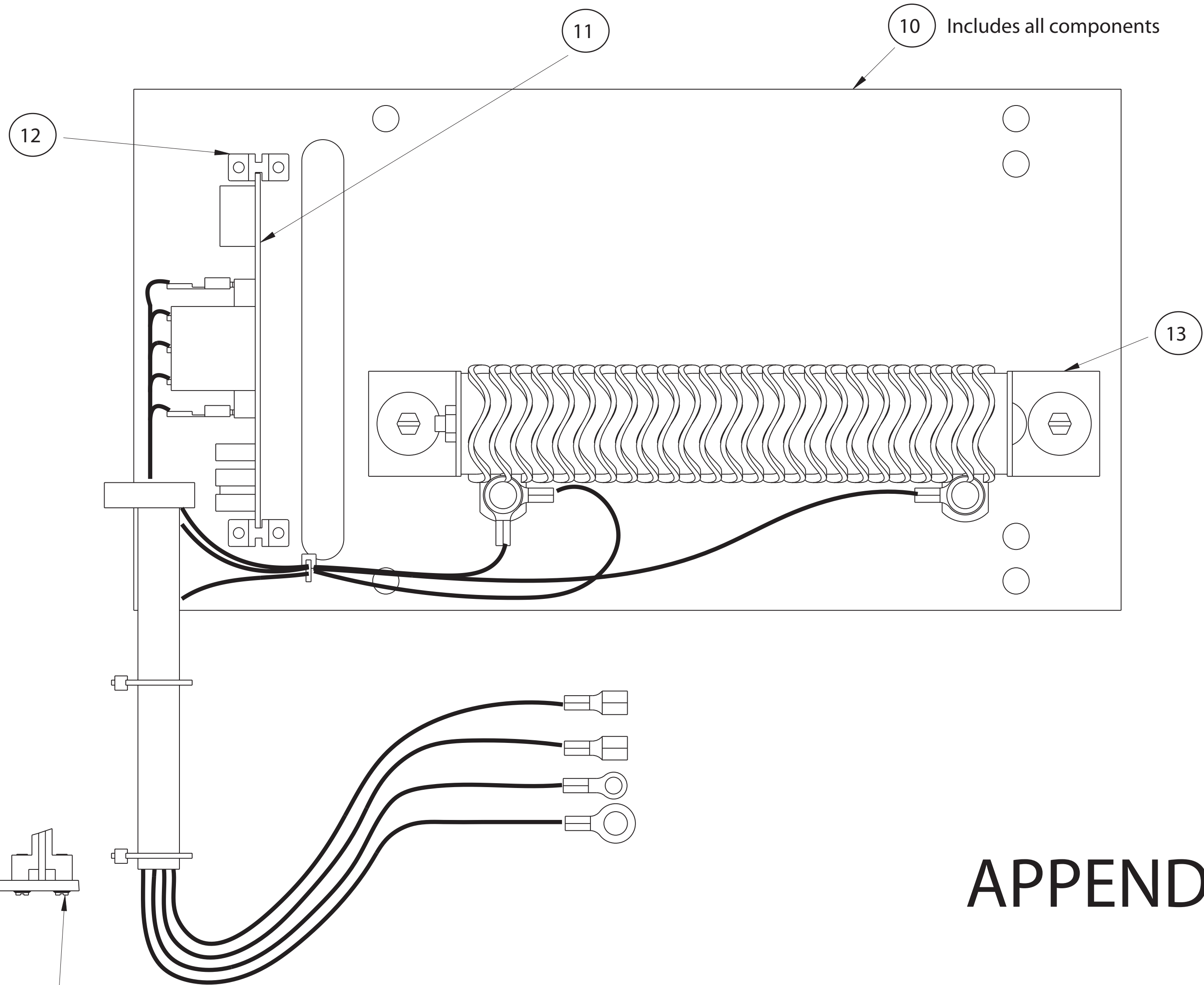


Notes:

If installing the optional LCD Monitor, refer to the NV915 installation manual.

If not installing the LCD Monitor, wrap the ends of the TV Cables with electrical tape and tuck them into the Mast.

SM916 Stepmill Console Telemetry Heart Rate Wiring Diagram



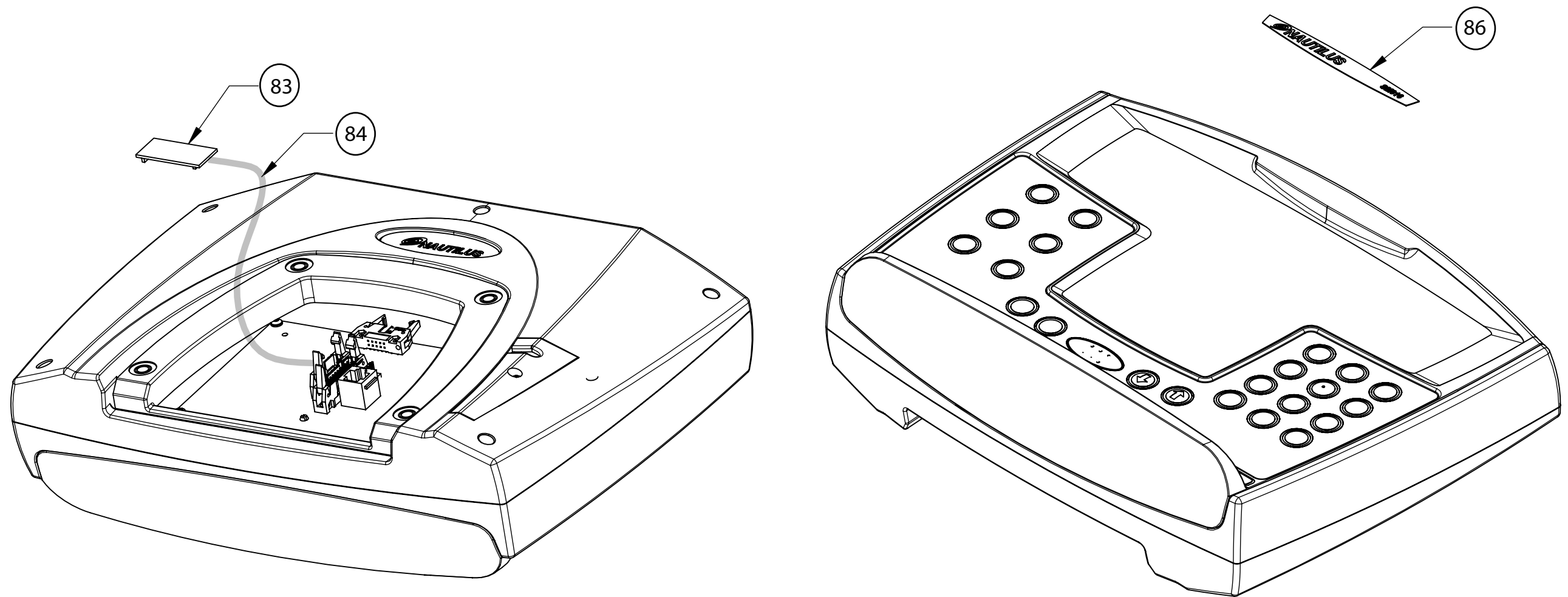
SCREW, LOCK WASHER,
AND FLAT WASHER

IF HARDWARE IS NOT FURNISHED
USE 2 X 27310 (SCREW) AND 2X
13582 (WASHER)

APPENDIX A

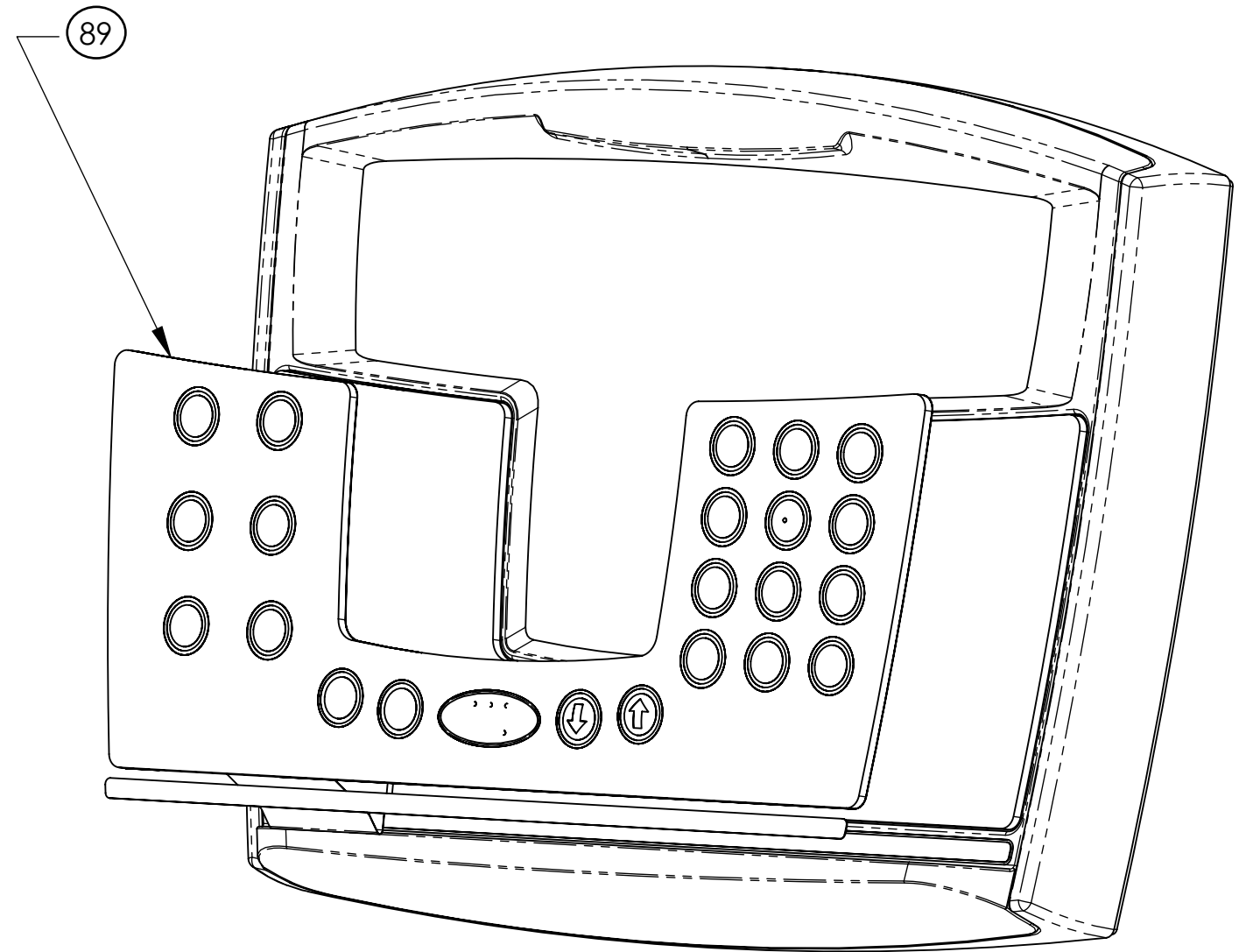
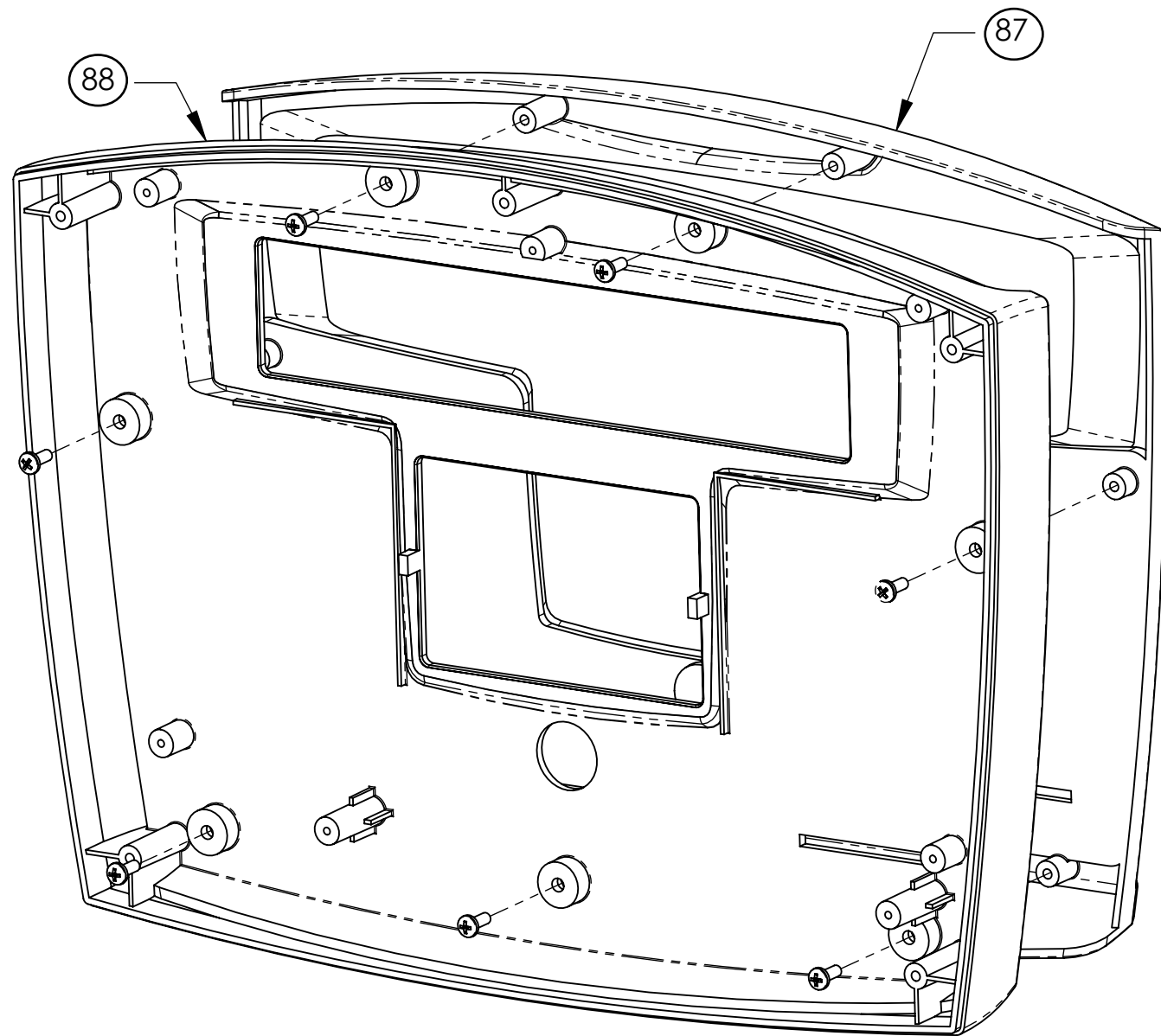
APPENDIX B

85 (ASSY, CONSOLE, SM916)



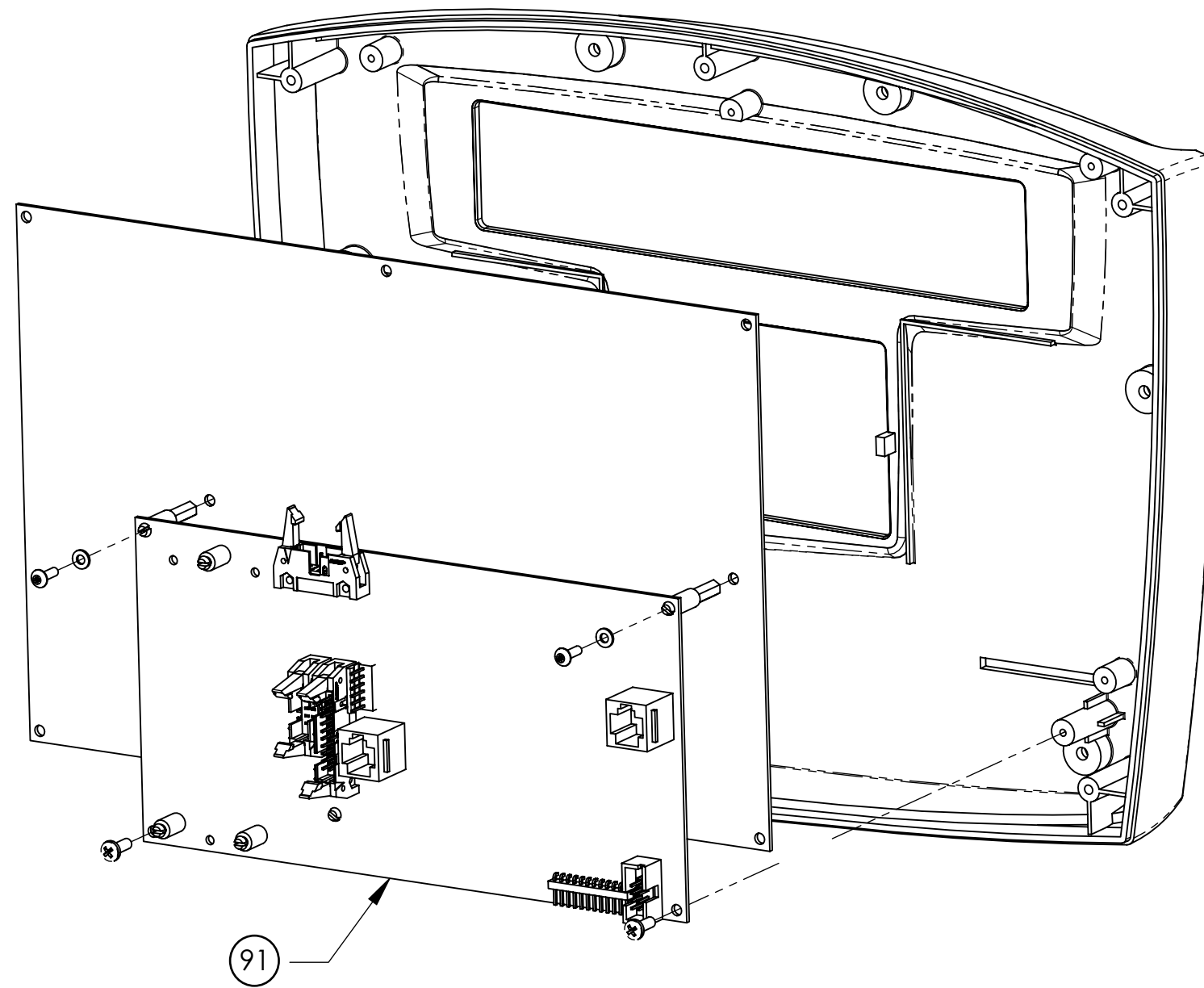
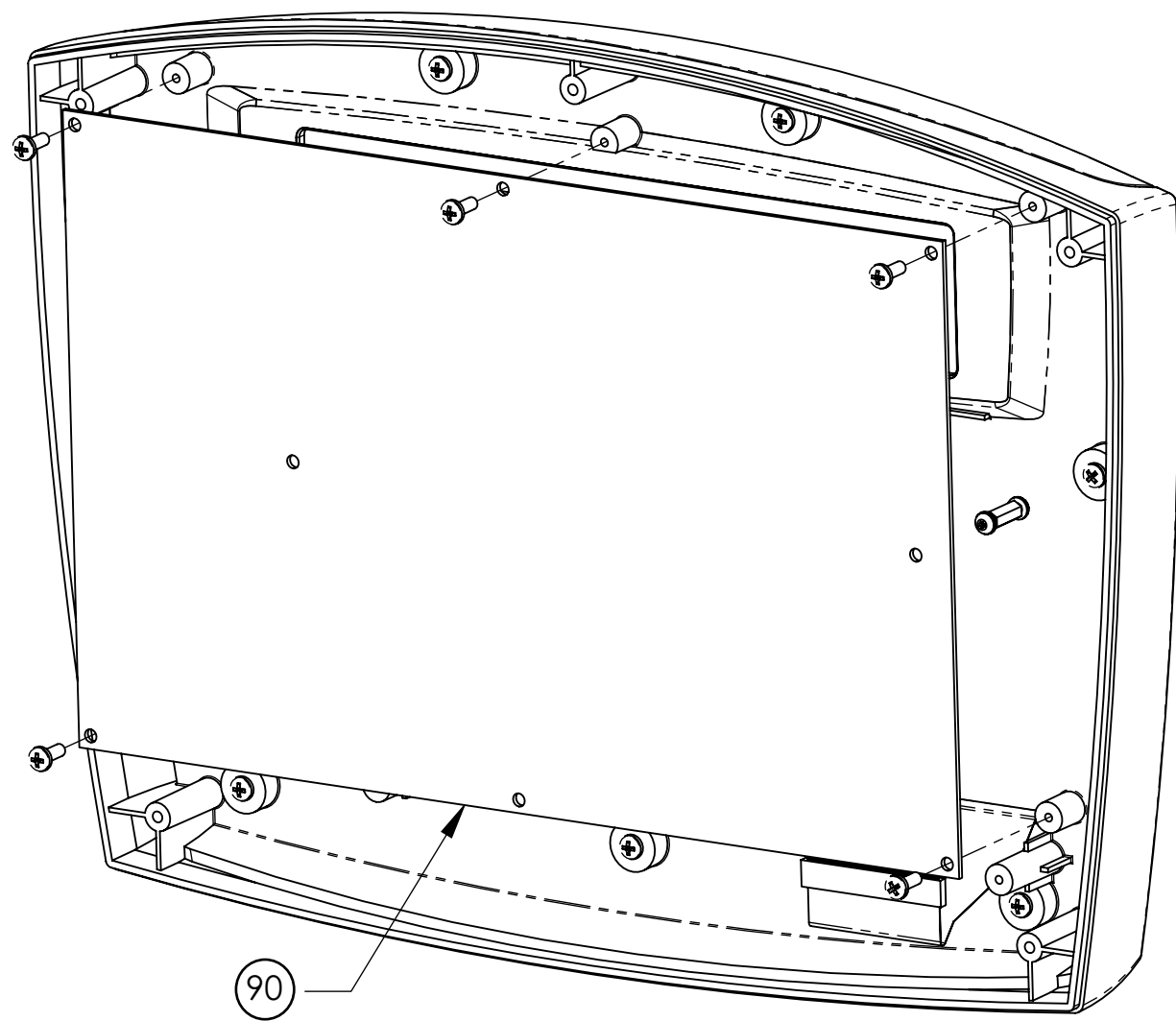
APPENDIX B

85 (ASSY,CONSOLE,SM916)



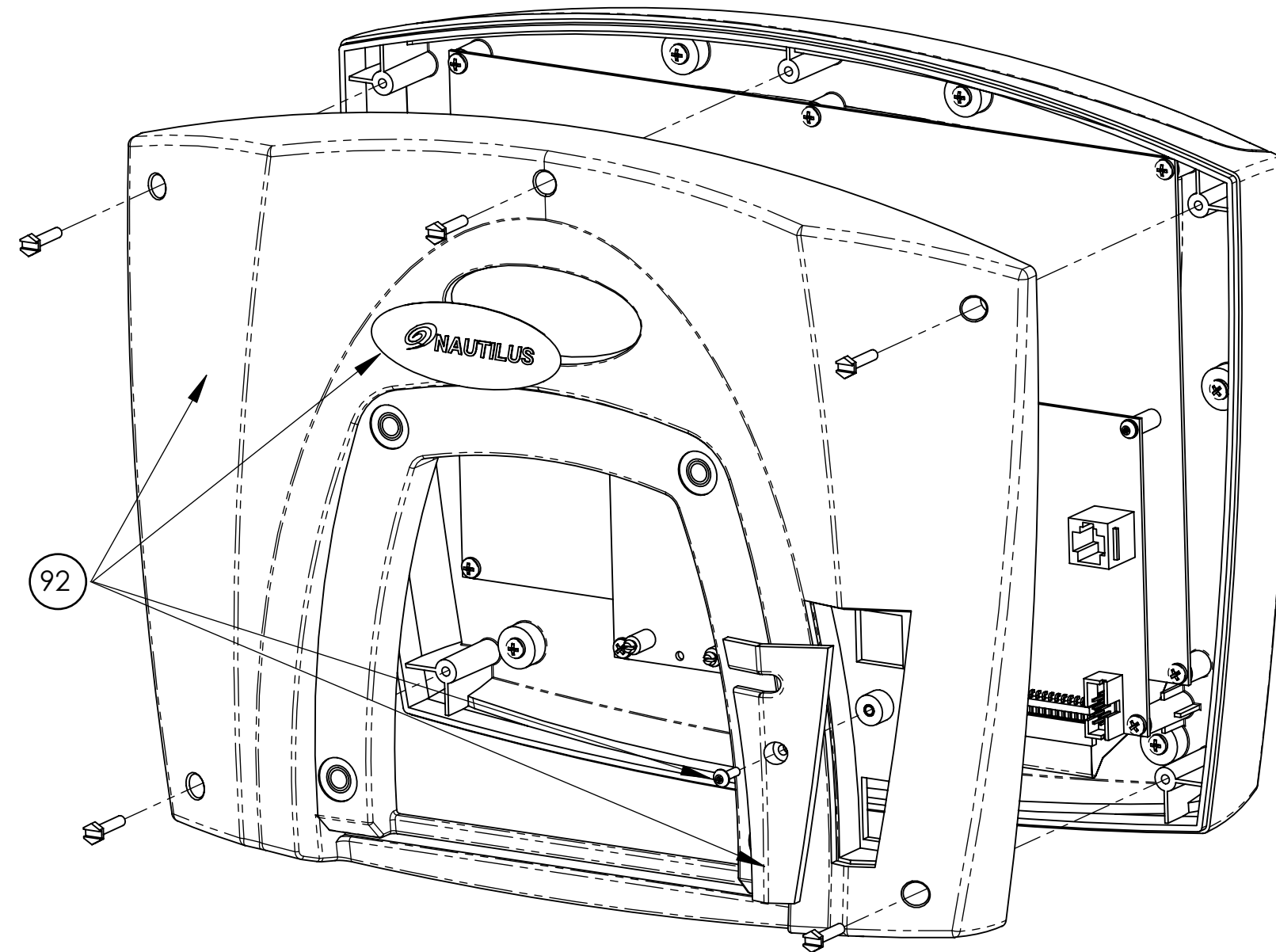
APPENDIX B

85 (ASSY, CONSOLE, SM916)



APPENDIX B

85 (ASSY, CONSOLE, SM916)



SM9.16 STEPMILL, DOM

(SM00140-001,-002,-004,-005)

REF.	P/N	DESCRIPTION
1	003-3747	ASSY,FRAME,DOMESTIC,SM916
2	SM23792	SADDLE, WIRE
3	SM21767	RIVNUT..312-18 UNC
4	SM20017	LEG LEVELER
5	SM22839	PIN.CLEVIS..50 DIA. X 5.00
6	SM20036	WHEEL.TRANSPORT
7	SM22047	Washer,Flat,1/4 ID X 5/8 OD
9	SM25863	KIT,RELAY/RESIST,MOUNTNG HW,70
10	SM22933	ASSY,RELAY/RESISTOR,7000PT
11	SM23545	ASSY,PCB,RELAY,STPEMILL
12	SM21140	CARD GUIDE, VERTICAL PC
13	SM24989	RESISTOR,0.5 OHM, 240 WATT
14	SM25869	(CS)KIT,POWER CONN,HW,7000PT
15	SM21768	Assy,Main Power Harn,V2,7000
16	SM21164	ALT/POL-V BELT/PULLEYS, STEPMILL
17	SM23830	(CS)ALT/PULLEY,Prestolite
18	SM22075	Washer,5/16 Flat
19	SM22146	Screw,5/16-18 X 1-1/4 Hex
20	SM21247	Pulley,Alternator,Poly-V,Prest
21	SM10860	BRACKET TRANSMISSION 7000PT
22	SM22036	Nut,1/4-20 NC Nylon Insert
23	SM22983	Wshr, Sholdr, .25 ID Nylon
24	SM20547	Bracket,Trans,Out
25	SM22139	Screw,1/4-20 X 1/2 Self Tap
26	SM22026	Screw, .250-20 NCx1.0 Hex HD
27	SM10059	BRACE.TRANS.
28	SM22038	Washer,1/4,Flat
29	SM22164	Screw, .250-20x1.25,Hex HD Cap
30	SM22435	Grommet, .25 IDx .44 OD
31	SM22037	Screw,Set 1/4-20 NC X 3/8
32	SM23427	SPROCKET. DRIVE
33	SM23434	ASSY,SPEED REDUCER,7000 PT,SV
34	SM20808	Pad,Trans,Rubber
35	SM25497	KIT,TRANSMISS,MOUNTNG HW,7000P
36	SM20007	SPROCKET.IDLER
37	SM22043	SCREW..500-13 NC X 2.0 HEX HD
38	SM24662	Pulley,Transmission,Poly-V
39	SM20202	Belt,Alternator,Poly-V (7000)
40	SM26669	SCREW..500-13x4.50.HEX HD CAP
41	SM20114	Spacer, Alternator
42	SM22091	WASHER.1/2 SAE FLAT
43	SM22042	NUT.1/2-13 NC NYLON INSERT
44	SM25498	(CS)KIT,BEARING PLATE,HW,7000P
45	SM22848	AFTER 9/14/00 BEARING PLATE V2
46	SMQ36271-001	Foam,Pad
47	SM25682	(CS)KIT,PILLOW BLOCK,HW,7000PT
48	SM22427	SCREW.SET.SOCKET..250-28 X .25
49	SM20012	Bearing,Pillow Block
50	SM10037-03	BEARING.ADJUSTER.STPEMILL.
51	SM10205-03	LOWER SPRKT ASSY - 7000PT
52	SM23424-03	Wldmnt,Sprckt,Upper,Wrbk/Pwrc

REF.	P/N	DESCRIPTION
53	SM23257	Chain, Drive #40, 41,5
54	SM25439	LINK, MASTER, #40
55	SM21398	TREAD.STEP.3 HOLES.7000 PT
56	SM21363	FASTENER,XMASTREE,PLASTIC
57	SM25493	(CS)ASSY,STEP W/TRED,3 HOLE,SILVER
58	SM20508	Fastener, Push Nut
59	SM25496	(CS)KIT,STEP SHAFT,HW,7000PT
60	SM22849	SHAFT.STEP.7000 PT.V2
61	SM27268	ASSY,STEP DRIVE CHAIN W/LINK
62	003-3748	ASSY,UPPR MAST,W/DECAL,SM916
63	10829-365	SCREW.25-20 UNC BUTTON HEAD SOCKET
64	002-0793	ASSY,HANDRAIL,LH,SM916
65	003-3494	HANDGRIP,SM916
66	003-3504	SCREW,1/4-20 x 1.75,ALLEN DR,F
67	003-3793	KIT, LWR HANDRAIL BRKT, SM916
69	SM22032	Nut, 5/16-18 NC Nylock
70	003-3505	SCREW,5/16-1.75,ALLEN DR, FH,BL
71	002-0794	ASSY,HANDRAIL,RH,SM916
72	003-3749	ASSY, TOP PANEL, W/DECAL, SM916
73	SM25859	PANEL,INS,LH,7000 PT,NLS GREY
74	SM25858	PANEL,INS,RH,7000 PT,NLS GREY
75	SM24757	Rivet Plastic Perm 7000PT
76	SM22086	Rivet,Panels, Weight Stack
77	003-3750	ASSY,PANEL,MAIN,RH,W/DCL,SM916
78	003-3484	ASSY,PANEL,MAIN,LH,SM916
79	SM25573	PANEL,BACK,NLS,Charcoal Grey
80	003-3709	PANEL,BOTTOM,PRESSURE FRMD,SM916
81	003-3489	BOTTLE HOLDER,SM916
82	SM40670	SCW,PH,W/LWSHR ,#1/4-20x.75
83	SM41187	PCBA, TELEMETRY HEART
84	SM41702	Assy,CBL,Telemetry Heart Rate
85	003-3625	ASSY,CONSOLE,SM9.16
86	003-3480	DECAL,CONSOLE TOP,SM916
87	SM40803	Lens,C51 Console
88	SM40802	Housing, Console, Front
89	SM40468	KEYPANEL,CNSL,GENERIC
90	SM40826	NTR 7-18 DISPLAY PCBA
91	SM40820	Assembly, PCBA
92	003-3688	(CS)ASSY,REAR HOUSING,C51
93	SM21769	Assy,Main Cable,C2,V2,7000 PT
94	SM27831	ASSY CABLE. UPPER MAIN 7000
95	SM21768	Assy,Main Power Harn,V2,7000
96	003-3507	ASSY,HARNESS,TV/PWR,SM9.16
97	SMQ19409-004	FLAT WASHER,BLK, .281 I.D.

**SM9.16 STEPMILL, DOM
NOT SHOWN ON DIAGRAM**

(SM00140-001,-002,-004,-005)

	003-3752	KIT,OM,SM916,NORTH AMERICA
	SM24381	Power Supply,PS-7,3-Pin
	SM23853	TOOL FASTENER REMOVAL