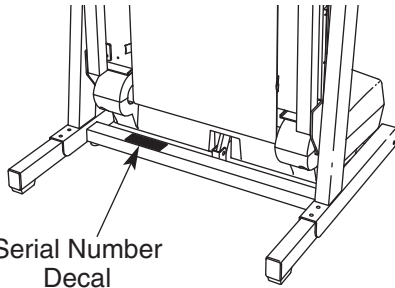


PRO-FORM® 450

USER'S MANUAL

Model No. PFTL41105.0

Serial No. _____



QUESTIONS?

As a manufacturer, we are committed to providing complete customer satisfaction. If you have questions, or if parts are damaged or missing, **PLEASE CONTACT OUR CUSTOMER SERVICE DEPARTMENT DIRECTLY.**

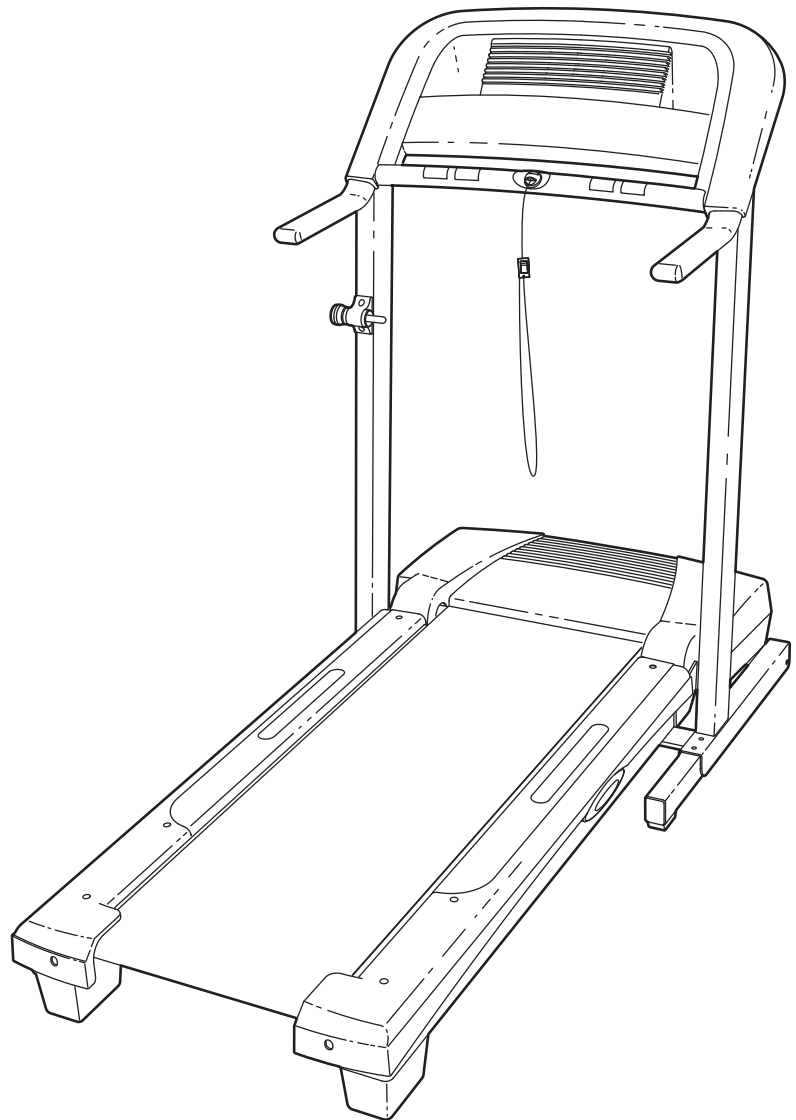
CALL TOLL-FREE:

1-888-533-1333

Mon.–Fri., 6 a.m.–6 p.m. MST

ON THE WEB:

www.proformservice.com



CAUTION

Read all precautions and instructions in this manual before using this equipment. Save this manual for future reference.



Visit our website at

www.proform.com

new products, prizes,
fitness tips, and much more!

PRO-FORM[®]

450

TABLE OF CONTENTS

IMPORTANT PRECAUTIONS	3
BEFORE YOU BEGIN	5
ASSEMBLY	6
OPERATION AND ADJUSTMENT	9
HOW TO FOLD AND MOVE THE TREADMILL	16
TROUBLESHOOTING	17
CONDITIONING GUIDELINES	19
ORDERING REPLACEMENT PARTSBack Cover
LIMITED WARRANTYBack Cover

Note: An EXPLODED DRAWING and a PART LIST are attached in the center of this manual.

IMPORTANT PRECAUTIONS

⚠ WARNING: To reduce the risk of burns, fire, electric shock, or injury to persons, read the following important precautions and information before operating the treadmill.

1. It is the responsibility of the owner to ensure that all users of this treadmill are adequately informed of all warnings and precautions.
2. Use the treadmill only as described.
3. Place the treadmill on a level surface, with at least eight feet of clearance behind it and two feet on each side. Do not place the treadmill on any surface that blocks air openings. To protect the floor or carpet from damage, place a mat under the treadmill.
4. Keep the treadmill indoors, away from moisture and dust. Do not put the treadmill in a garage or covered patio, or near water.
5. Do not operate the treadmill where aerosol products are used or where oxygen is being administered.
6. Keep children under the age of 12 and pets away from the treadmill at all times.
7. The treadmill should be used only by persons weighing 275 pounds or less.
8. Never allow more than one person on the treadmill at a time.
9. Wear appropriate exercise clothes when using the treadmill. Do not wear loose clothes that could become caught in the treadmill. Athletic support clothes are recommended for both men and women. *Always wear athletic shoes. Never use the treadmill with bare feet, wearing only stockings, or in sandals.*
10. When connecting the power cord (see page 9), plug the power cord into a surge suppressor (not included) and plug the surge suppressor into a grounded circuit capable of carrying 15 or more amps. No other appliance should be on the same circuit. Do not use an extension cord.
11. Use only a single-outlet surge suppressor that meets all of the specifications described on page 9. To purchase a surge suppressor, see your local PROFORM dealer or call the toll-free telephone number on the front cover of this manual and order part number 146148, or see your local electronics store.
12. Failure to use a properly functioning surge suppressor could result in damage to the control system of the treadmill. If the control system is damaged, the walking belt may change speed, accelerate, or stop unexpectedly, which may result in a fall and serious injury.
13. Keep the power cord and the surge suppressor away from heated surfaces.
14. Never move the walking belt while the power is turned off. Do not operate the treadmill if the power cord or plug is damaged, or if the treadmill is not working properly. (See TROUBLESHOOTING on page 17 if the treadmill is not working properly.)
15. Read, understand, and test the emergency stop procedure before using the treadmill (see HOW TO TURN ON THE POWER on page 10).
16. Never start the treadmill while you are standing on the walking belt. Always hold the handrails while using the treadmill.
17. The treadmill is capable of high speeds. Adjust the speed in small increments to avoid sudden jumps in speed.
18. The pulse sensor is not a medical device. Various factors, including the user's movement, may affect the accuracy of heart rate readings. The pulse sensor is intended only as an exercise aid in determining heart rate trends in general.
19. Never leave the treadmill unattended while it is running. Always remove the key and unplug the power cord when the treadmill is not in use.
20. Do not attempt to raise, lower, or move the treadmill until it is properly assembled. (See ASSEMBLY on page 6, and HOW TO FOLD AND MOVE THE TREADMILL on page 16.) You must be able to safely lift 45 pounds (20 kg) to raise, lower, or move the treadmill.
21. When folding or moving the treadmill, make sure that the storage latch is fully closed.

22. Inspect and properly tighten all parts of the treadmill regularly.

23. Never insert any object into any opening.

24. **DANGER:** Always unplug the power cord immediately after use, before cleaning the treadmill, and before performing the maintenance and adjustment procedures described in this manual. Never remove the

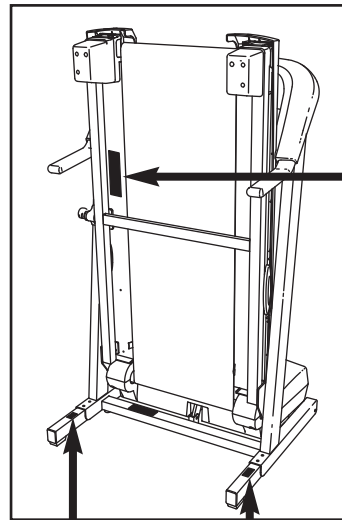
motor hood unless instructed to do so by an authorized service representative. Servicing other than the procedures in this manual should be performed by an authorized service representative only.

25. This treadmill is intended for in-home use only. Do not use this treadmill in a commercial, rental, or institutional setting.

⚠ WARNING: Before beginning this or any exercise program, consult your physician. This is especially important for persons over the age of 35 or persons with pre-existing health problems. Read all instructions before using. ICON assumes no responsibility for personal injury or property damage sustained by or through the use of this product.

SAVE THESE INSTRUCTIONS

The decals shown here have been placed on the treadmill. If a decal is missing, or if it is not legible, call the toll-free telephone number on the front cover of this manual and order a free replacement decal. Apply the decal in the location shown. Note: The decals are not shown at actual size.



⚠ CAUTION
KEEP HANDS AND FEET AWAY FROM THIS AREA WHILE THE TREADMILL IS IN OPERATION.

⚠ WARNING:

Protect yourself and others from risk of serious injury. Read the user's manual and :



•Stand only on the side rails when starting or stopping treadmill.

•Change speed in small increments.

•Hold handrails to prevent falling, and always wear the safety clip while operating treadmill.

•Stop if you feel faint, dizzy, or short of breath.

•Fully engage storage latch before treadmill is moved or stored.

•Reduce incline to its lowest level before folding treadmill into storage position.



•Never allow children on or around treadmill.

•Remove key when not in use.



•Keep clothing, fingers, and hair away from moving belt.

•Never try to adjust or fix the belt while it is moving.

•Always wear athletic shoes while operating treadmill.

BEFORE YOU BEGIN

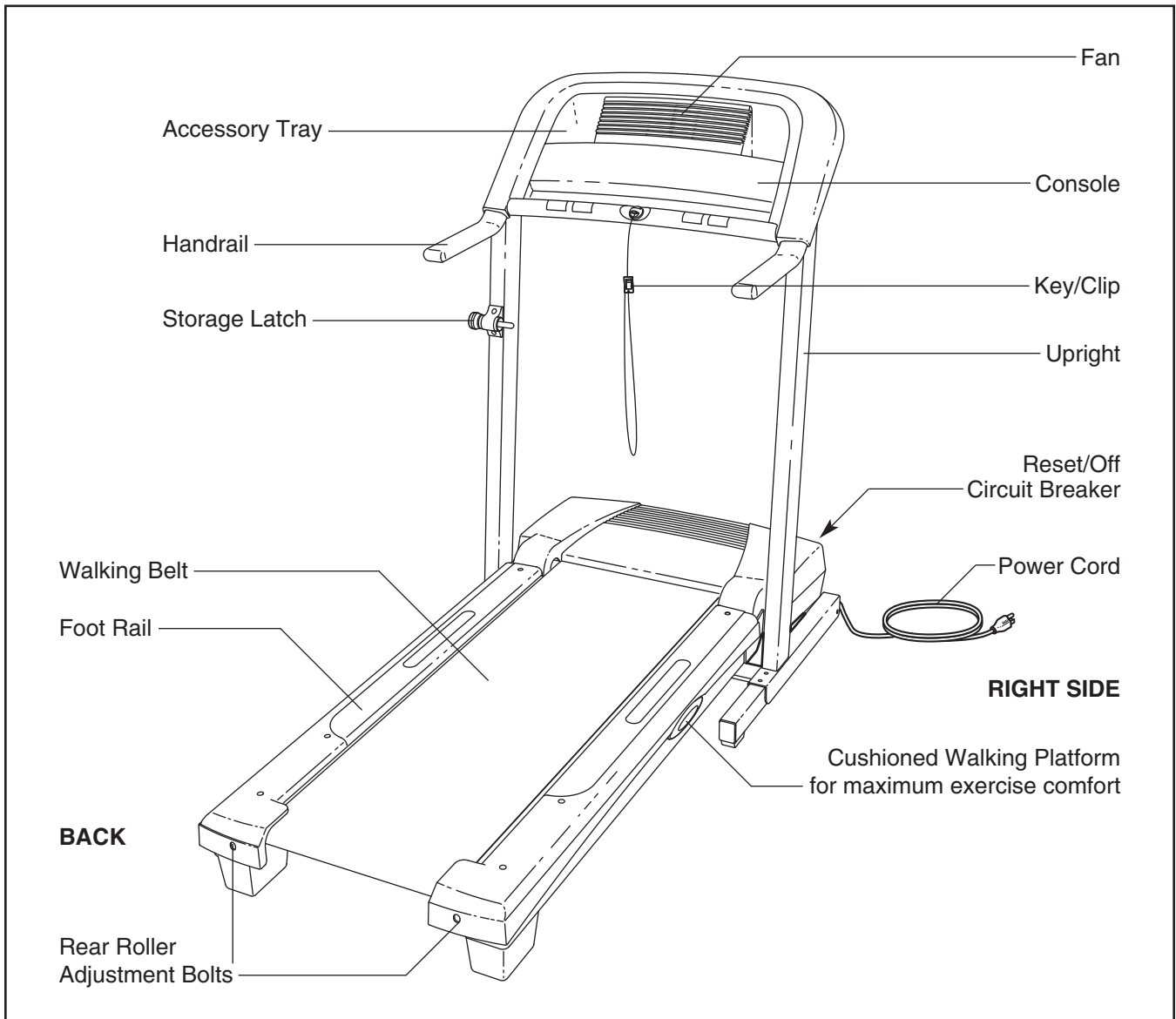
Thank you for selecting the new PROFORM® 450 treadmill. The PROFORM 450 treadmill offers a selection of features designed to make your workouts at home more effective and enjoyable. And when you're not exercising, the PROFORM 450 treadmill can be folded up, requiring less than half the floor space of other treadmills.

For your benefit, read this manual carefully before using the treadmill. If you have questions after reading this manual, see the front cover of this manual. To help us assist you, please note the product model

number and serial number before calling. The model number of the treadmill is PFTL41105.0. The serial number can be found on a decal attached to the treadmill (see the front cover of this manual for the location).

To avoid a registration fee for any service needed under warranty, you must register the treadmill at www.proformservice.com/registration.

Before reading further, please review the drawing below and familiarize yourself with the labeled parts.



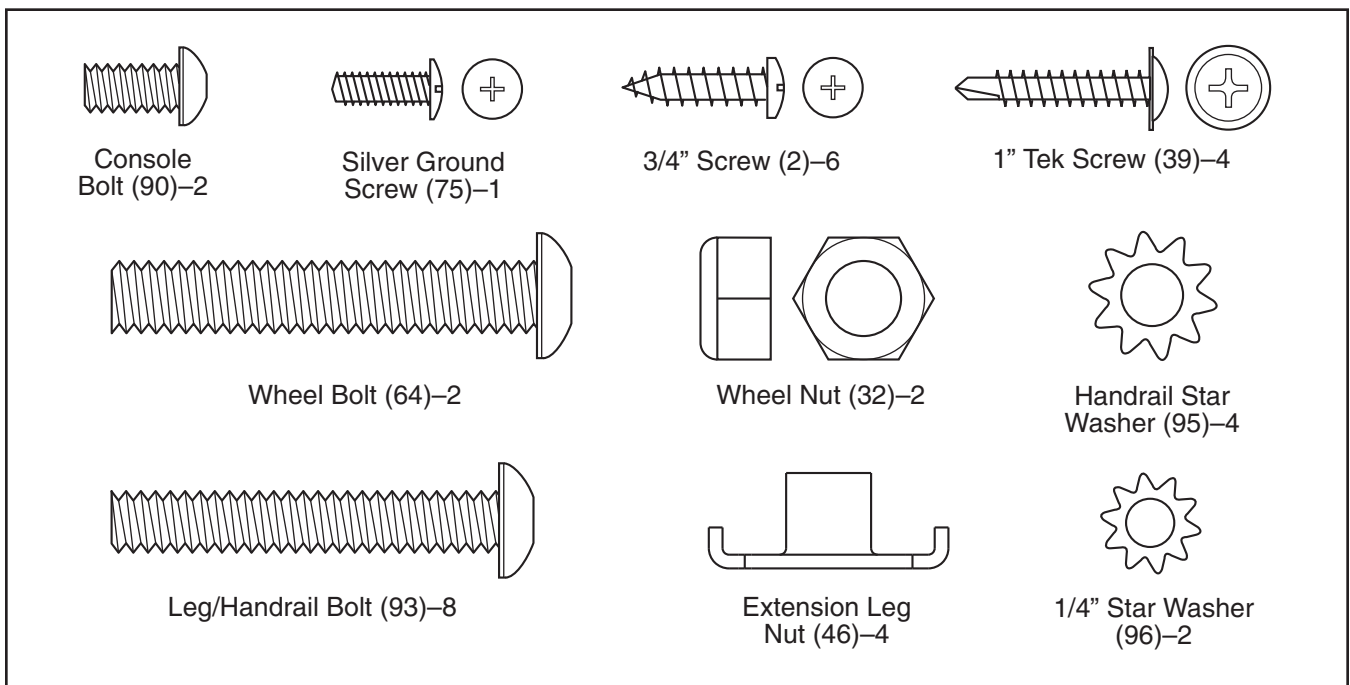
ASSEMBLY

To hire an authorized service technician to assemble the treadmill, call toll-free 1-800-445-2480.

Assembly requires two persons. Set the treadmill in a cleared area and remove all packing materials. Do not dispose of the packing materials until assembly is completed. Note: The underside of the treadmill walking belt is coated with high-performance lubricant. During shipping, a small amount of lubricant may be transferred to the top of the walking belt or the shipping carton. This is a normal condition and does not affect treadmill performance. If there is lubricant on top of the walking belt, simply wipe off the lubricant with a soft cloth and a mild, non-abrasive cleaner.

Assembly requires the included allen wrenches  **and your own phillips screwdriver** , **rubber mallet** , **and adjustable wrench** .

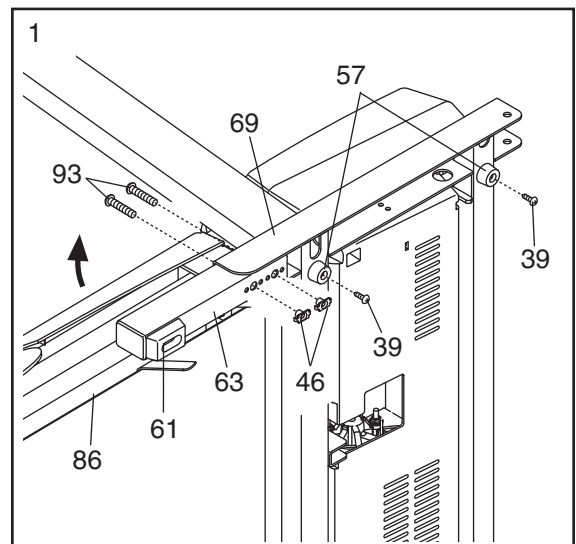
For help identifying the assembly hardware, see the drawings below. If a part is not in the parts bag, check to see if it has been pre-assembled. **To avoid damaging plastic parts, do not use power tools for assembly.**



- Make sure that the power cord is unplugged.** With the help of a second person, carefully tip the treadmill onto its left side as shown. Partially fold the Frame (86) so the treadmill is more stable. **Do not fully fold the treadmill until it is completely assembled.**

Orient an Extension Leg (63) so the Base Pad (61) is in the position shown, and insert the Extension Leg into the base of the Uprights (69). If necessary, use a rubber mallet to fully insert the Extension Leg. Next, hold two Extension Leg Nuts (46) in the bottom of the Extension Leg, and insert two Leg/Handrail Bolts (93) into the top of the Extension Leg. Firmly tighten the Leg/Handrail Bolts into the Extension Leg Nuts.

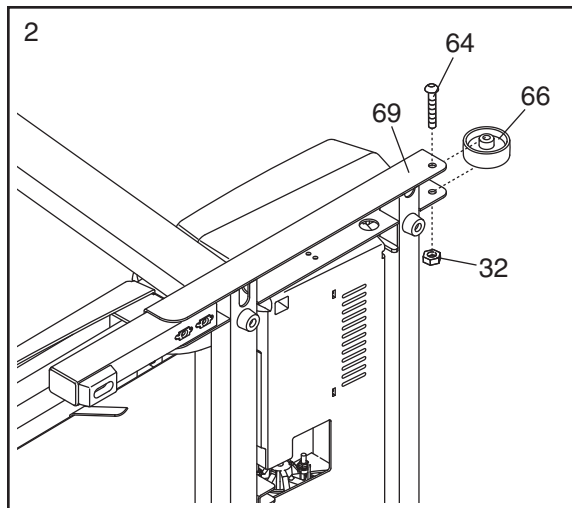
Attach two Base Pads (57) to the base of the Uprights (69) with two 1" Tek Screws (39).



- Attach a Wheel (66) to the base of the Uprights (69) with a Wheel Bolt (64) and a Wheel Nut (32) as shown. **Do not overtighten the Wheel Bolt**; the Wheel should turn freely.

With the help of a second person, carefully tip the treadmill onto its other side. See assembly step 1 and attach the other Extension Leg (63) and Base Pads (57). Next, attach the other Wheel (66) as described above.

With the help of a second person, carefully tip the treadmill so the base of the Uprights (69) is flat on the floor.

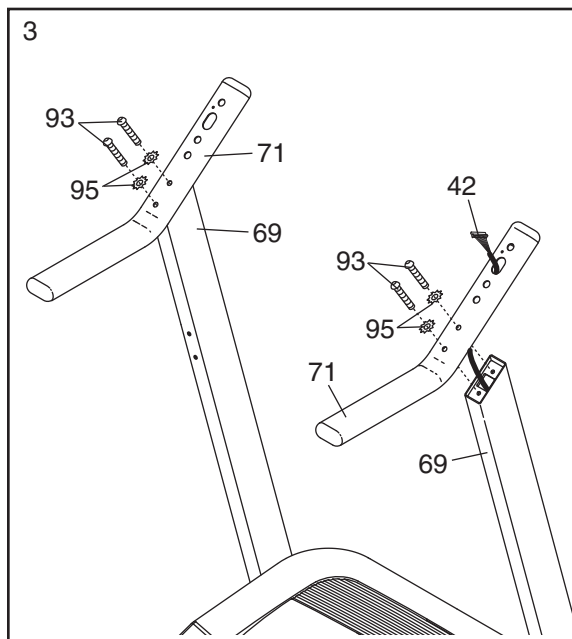


- If there is a board between the Uprights (69), remove the board and the two bolts. Discard the board and the bolts.

Remove the tie from the Wire Harness (42). Hold one of the Handrails (71) near the right Upright (69), and route the Wire Harness into the opening in the bottom of the Handrail and out of the indicated hole in the top.

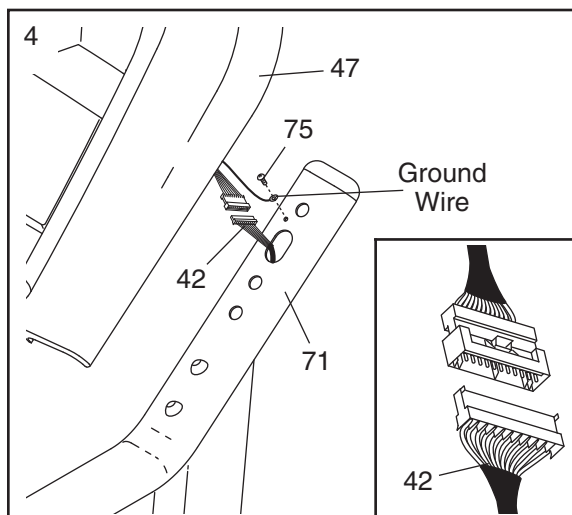
Set the Handrail (71) on the right Upright (69). Tighten two Leg/Handrail Bolts (93) with two Handrail Star Washers (95) into the Handrail and the right Upright. **Make sure that the Wire Harness (42) is not pinched.**

Attach the other Handrail (71) to the left Upright (69) as described above. Note: There is not a wire harness on the left side.

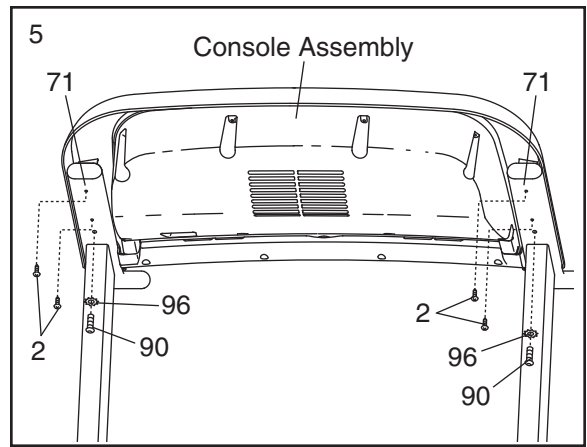


- Have another person hold the Console Base (47) near the right Handrail (71). **If there is a green ground wire on the Console Base**, attach the end of the ground wire to the indicated small hole in the right Handrail with the Silver Ground Screw (75).

Connect the Wire Harness (42) to the wire harness on the Console Base (47). **Make sure to connect the connectors properly (see the inset drawing). The connectors should slide together easily and snap into place.** If the connectors do not slide together easily and snap into place, turn one connector and try again. **IF THE CONNECTORS ARE NOT CONNECTED PROPERLY, THE CONSOLE MAY BE DAMAGED WHEN THE POWER IS TURNED ON.**

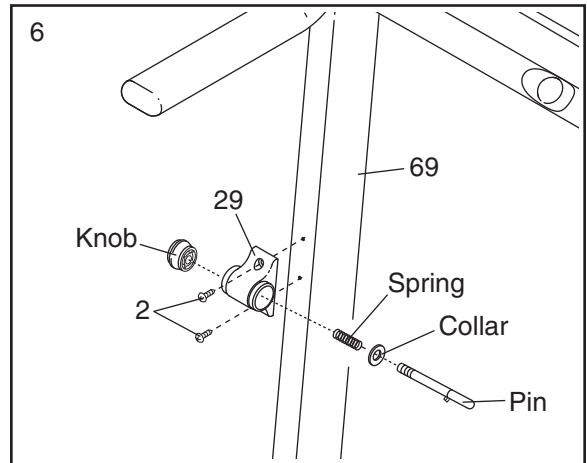


5. Set the console assembly on the Handrails (71); insert the excess wiring down into the right Handrail. Attach the console assembly with four 3/4" Screws (2), two Console Bolts (90), and two 1/4" Star Washers (96) as shown. **Make sure that no wires are pinched. Start all four Screws and both Console Bolts before tightening any of them.**



6. Attach the Latch Housing (29) to the left Upright (69) with two 3/4" Screws (2). **Make sure that the large hole in the Latch Housing is on the side shown. Do not over-tighten the Screws.**

Remove the knob from the pin. Make sure that the collar and the spring are on the pin as shown. Insert the pin into the Latch Housing (29), and tighten the knob back onto the pin.



7. **Make sure that all parts are properly tightened before you use the treadmill.** Note: Extra hardware may be included. Keep the included allen wrenches in a secure place; the large allen wrench is used to adjust the walking belt (see page 18). To protect the floor or carpet, place a mat under the treadmill.

OPERATION AND ADJUSTMENT

THE PRE-LUBRICATED WALKING BELT

Your treadmill features a walking belt coated with high-performance lubricant. **IMPORTANT: Never apply silicone spray or other substances to the walking belt or the walking platform. Such substances will deteriorate the walking belt and cause excessive wear.**

HOW TO PLUG IN THE POWER CORD

⚠ DANGER: Improper connection of the equipment-grounding conductor can result in an increased risk of electric shock. Check with a qualified electrician or serviceman if you are in doubt as to whether the product is properly grounded. Do not modify the plug provided with the product—if it will not fit the outlet, have a proper outlet installed by a qualified electrician.

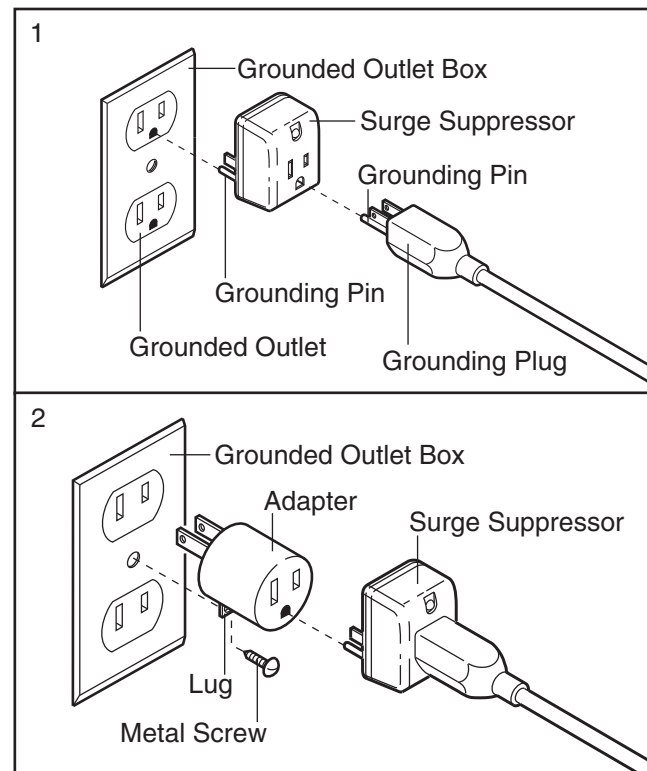
Your treadmill, like any other type of sophisticated electronic equipment, can be seriously damaged by sudden voltage changes in your home's power. Voltage surges, spikes, and noise interference can result from weather conditions or from other appliances being turned on or off. **To decrease the possibility of your treadmill being damaged, always use a surge suppressor with your treadmill (see drawing 1 at the right).** To purchase a surge suppressor, see your local PROFORM dealer or call the toll-free telephone number on the front cover of this manual and order part number 146148, or see your local electronics store.

Use only a single-outlet surge suppressor that is UL 1449 listed as a transient voltage surge suppressor (TVSS). The surge suppressor must have a UL suppressed voltage rating of 400 volts or less and a minimum surge dissipation of 450 joules. The surge suppressor must be electrically rated for 120 volts AC and 15 amps. There must be a monitoring light on the surge suppressor to indicate whether it is functioning properly. Failure to use a properly functioning surge suppressor could result in damage to the control system of the treadmill. If the control system is damaged, the walking belt may change speed, accelerate or stop unexpectedly, which may result in a fall and serious injury.

This product must be grounded. If it should malfunction or break down, grounding provides a path of least resistance for electric current to reduce the risk of elec-

tric shock. This product is equipped with a cord having an equipment-grounding conductor and a grounding plug. **Plug the power cord into a surge suppressor, and plug the surge suppressor into an appropriate outlet that is properly installed and grounded in accordance with all local codes and ordinances. Important: The treadmill is not compatible with GFCI-equipped outlets.**

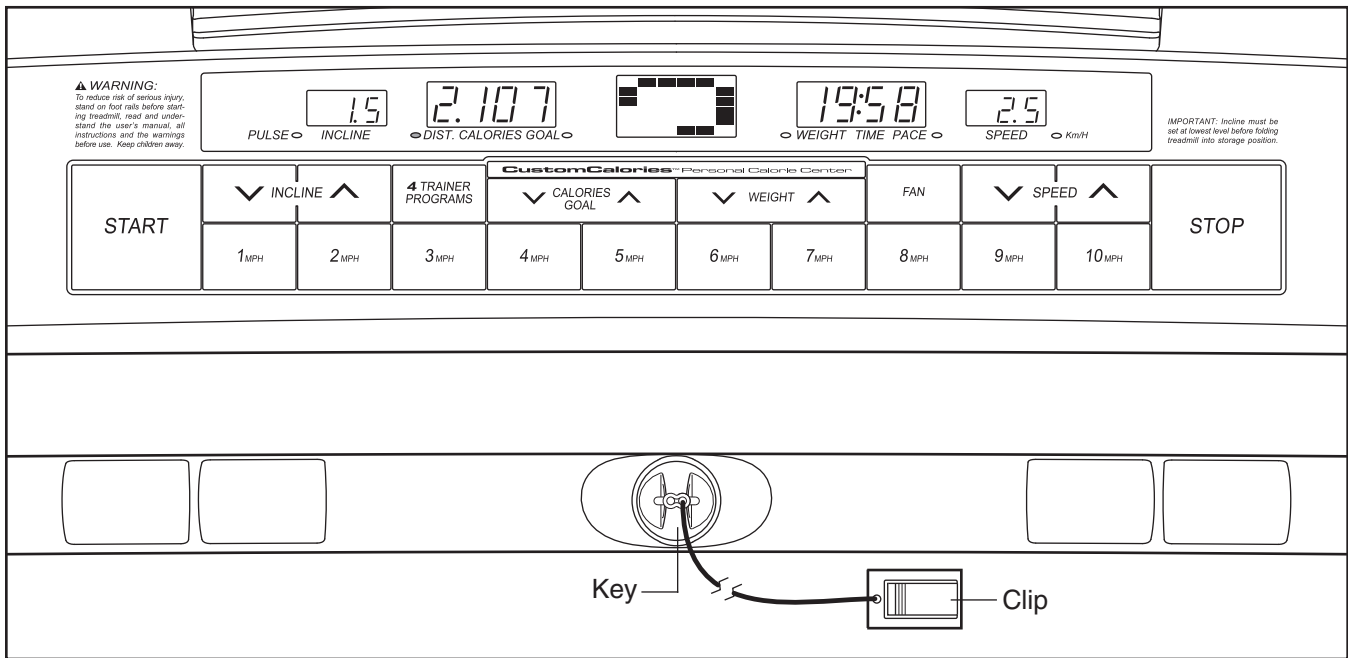
This product is for use on a nominal 120-volt circuit, and has a grounding plug that looks like the plug illustrated in drawing 1 below. A temporary adapter that looks like the adapter illustrated in drawing 2 may be used to connect the surge suppressor to a 2-pole receptacle as shown in drawing 2 if a properly grounded outlet is not available.



The temporary adapter should be used only until a properly grounded outlet (drawing 1) can be installed by a qualified electrician.

The green-colored rigid ear, lug, or the like extending from the adapter must be connected to a permanent ground such as a properly grounded outlet box cover. Whenever the adapter is used it must be held in place by a metal screw. **Some 2-pole receptacle outlet box covers are not grounded. Contact a qualified electrician to determine if the outlet box cover is grounded before using an adapter.**

CONSOLE DIAGRAM



FEATURES OF THE CONSOLE

The treadmill console offers an array of features designed to make your workouts more effective. When the manual mode of the console is selected, the speed and incline of the treadmill can be changed with the touch of a button. As you exercise, the console will display continuous exercise feedback. You can even measure your heart rate using the handgrip pulse sensor.

In addition, the console features four trainer programs. Each program automatically controls the speed and incline of the treadmill as it guides you through an effective workout. The console also offers a calories goal program that allows you to set a calorie-burning goal for each workout.

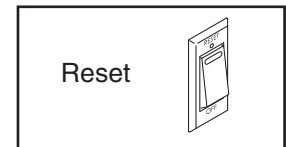
To use the manual mode of the console, follow the steps beginning on page 11. **To use a trainer program**, see page 13. **To use the calories goal program**, see page 14.

Note: If there are sheets of clear plastic on the console, remove the plastic. To prevent damage to the walking platform, always wear clean shoes while

using the treadmill. The first time you use the treadmill, periodically inspect the alignment of the walking belt, and center the walking belt if necessary (see page 18).

HOW TO TURN ON THE POWER

Plug in the power cord (see page 9). Next, locate the reset/off circuit breaker on the treadmill frame near the power cord. Make sure that the circuit breaker is in the “reset” position.



Next, stand on the foot rails of the treadmill. Locate the clip attached to the key (see the drawing above), and slide the clip securely onto the waistband of your clothes. Then, insert the key into the console; the displays will light. **Important:** In an emergency situation, the key can be pulled from the console, causing the walking belt to slow to a stop. Test the clip by carefully taking a few steps backward; if the key is not pulled from the console, adjust the position of the clip.

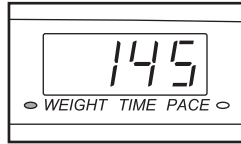
HOW TO USE THE MANUAL MODE

1 Insert the key into the console.

See HOW TO TURN ON THE POWER on page 10.

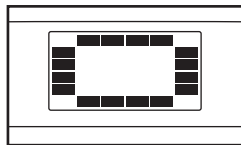
2 Enter your weight if desired.

While you exercise, the console will count the approximate number of calories you burn. For the most accurate calorie count, enter your weight into the console by repeatedly pressing the Weight increase or decrease button. To enter your weight quickly, hold down one of the buttons. Note: Once you enter your weight, it will be saved in memory.



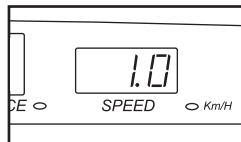
3 Select the manual mode.

When the key is inserted, the manual mode will be selected. If a program has been selected, press the Trainer Programs button repeatedly until a track appears in the matrix.



4 Press the Start button to start the walking belt.

When the Start button is pressed, the walking belt will begin to move at 1 mph. While you exercise, change the speed of the walking belt as desired by pressing the Speed increase or decrease button or one of the ten numbered Speed buttons. Each time the Speed increase or decrease button is pressed, the speed setting will change by 0.1 mph; if one of the buttons is held down, the speed setting will change in increments of 0.5 mph. If one of the numbered Speed buttons is pressed, the walking belt will gradually increase in speed until it reaches the selected speed setting. Note: After a button is pressed, it may take a moment for the walking belt to reach the selected speed setting.

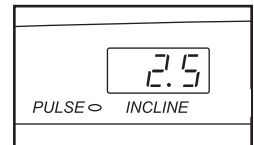


Note: The console can display speed and distance in either miles or kilometers (see THE INFORMATION MODE/DEMO MODE on page 15). For simplicity, all instructions in this section refer to miles.

To stop the walking belt, press the Stop button. The time will begin to flash in the Weight/Time/Pace display. To restart the walking belt, press the Start button.

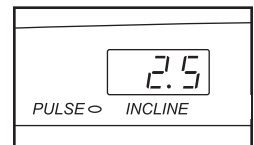
5 Change the incline of the treadmill as desired.

To change the incline of the treadmill, press the Incline increase and decrease buttons. Each time a button is pressed, the incline setting will change by 0.5%; if a button is held down, the incline setting will change quickly. Note: After a button is pressed, it may take a moment for the treadmill to reach the selected incline setting.

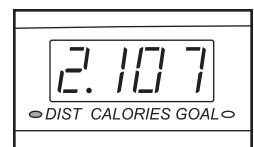


6 Monitor your progress with the displays and the matrix.

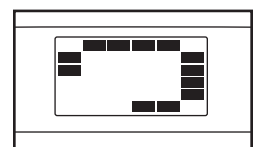
The Pulse/Incline display—This display will show the incline level of the treadmill. This display will also show your heart rate when you use the handgrip pulse sensor.



The Distance/Calories display—This display will show the distance that you have walked or run during your workout and the approximate number of calories that you have burned.

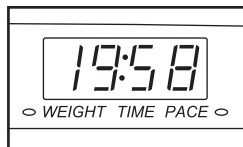


The matrix—When the manual mode is selected, the matrix will show a 1/4-mile (400-meter) track. As you walk or run, the indicators around the track will light in succession until the entire track is lit. The track will then darken and the indicators will again begin to light in succession.



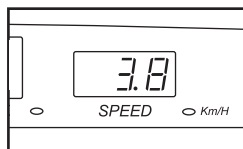
The Weight/Time/Pace display—

This display will show the elapsed time. Each time the speed setting changes, the display will also show your pace, in minutes per mile. Note: When a program is selected, this display will show the time remaining in the program instead of the elapsed time. When you enter your weight by pressing the Weight increase or decrease button, this display will also show your weight.



The Speed display—

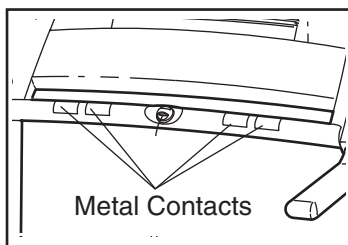
This display will show the speed of the walking belt.



To reset the displays, press the Stop button, remove the key, and then reinsert the key.

7 Measure your heart rate if desired.

Before using the handgrip pulse sensor, remove the sheets of clear plastic from the metal contacts. In addition, make sure that your hands are clean.



To measure your heart rate, **stand on the foot rails** and place your hands on the metal con-

tacts—**avoid moving your hands**. When your pulse is detected, one or two dashes will appear in the Pulse/Incline display, and then your heart rate will be shown. **For the most accurate heart rate reading, continue to hold the contacts for about 15 seconds.**

8 Turn on the fan if desired.

To turn on the fan, press the Fan button. To turn on the fan at high speed, press the button a second time. To turn off the fan, press the button a third time. Note: If the fan is on when the walking belt is stopped, the fan will automatically turn off after a few minutes.

9 When you are finished exercising, remove the key.

Step onto the foot rails, press the Stop button, and **adjust the incline of the treadmill to the lowest setting. The incline must be at the lowest setting when the treadmill is folded to the storage position, or the treadmill will become damaged.** Next, remove the key from the console and put it in a secure place. **Note: If the display remains lit after the key is removed, the console is in the “demo” mode. See page 15 and turn off the demo mode.**

When you are finished using the treadmill, switch the reset/off circuit breaker to the “off” position and unplug the power cord.

HOW TO USE A TRAINER PROGRAM

1 Insert the key into the console.

See HOW TO TURN ON THE POWER on page 10.

2 Select a trainer program.

To select a trainer program, press the Trainer Programs button repeatedly until "P-1," "P-2," "P-3," or "P-4" appears in the Distance/Calories display. When a trainer program is selected, the maximum incline setting of the program will flash in the Incline/Pulse display for a few seconds, the maximum speed setting will flash in the Speed display, and the program time will appear in the Weight/Time/Pace display. A profile of the speed settings of the program will scroll across the matrix.

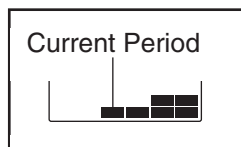


3 Press the Start button to start the program.

A moment after the button is pressed, the treadmill will automatically adjust to the first speed and incline settings of the program. Hold the handrails and begin walking.

Each program is divided into 30 or 50 one-minute periods. One speed setting and one incline setting are programmed for each period. Note: The same speed setting and/or incline setting may be programmed for two or more consecutive periods.

The speed setting for the first period will be shown in the flashing Current Period column of the matrix. (The incline settings are not shown in the matrix.) The speed settings for the next three periods will be shown in the columns to the right.



When only three seconds remain in the first period of the program, both the Current Period column and the column to the right will flash and a series of tones will sound. If the speed and/or incline of the treadmill is about to change, the speed setting and/or the incline setting will flash to alert you.

When the first period is completed, *all speed settings will move one column to the left.* The speed

setting for the second period will then be shown in the flashing Current Period column and the treadmill will automatically adjust to the speed and incline settings for the second period. Note: If all six of the indicators in the Current Period column are lit, *the speed settings may move downward* so that only the highest indicators appear in the matrix.

The program will continue in this way until the speed setting for the last period is shown in the Current Period column and the last period ends. The walking belt will then slow to a stop.

If the speed or incline setting for the current period is too high or too low, you can manually override the setting by pressing the Speed or Incline buttons. Every few times a Speed button is pressed, an additional indicator will light or darken in the Current Period column; if any of the columns to the right of the Current Period column have the same number of lit indicators as the Current Period column, an additional indicator may light or darken in those columns as well. **Important:** **When the current period of the program ends, the treadmill will automatically adjust to the speed and incline settings for the next period.**

To stop the program temporarily, press the Stop button. The time will begin to flash in the Weight/Time/Pace display. To restart the program, press the Start button. The walking belt will begin to move at 1 mph. When the next period of the program begins, the treadmill will automatically adjust to the speed and incline settings for the next period. To end the program, press the Stop button, remove the key, and then reinsert the key.

4 Follow your progress with the displays.

See step 6 on page 11.

5 Measure your heart rate if desired.

See step 7 on page 12.

6 Turn on the fan if desired.

See step 8 on page 12.

7 When the program is completed, remove the key.

See step 9 on page 12.

HOW TO USE THE CALORIES GOAL PROGRAM

1 Insert the key into the console.

See HOW TO TURN ON THE POWER on page 10.

2 Enter your weight.

See step 2 on page 11.

3 Select the calories goal program.

To select the calories goal program, first make sure that the walking belt is stopped. Next, press the

Calories Goal increase

button. A goal of 50 calories will appear in the Distance/Calories display and the Calories Goal indicator will light. When the calories goal program is selected, a speed setting of 2.5 mph will appear in the Speed display and the Weight/Time/Pace display will show how long the program will last.



If desired, change the calories goal by pressing the Calories Goal increase or decrease button. Each time a button is pressed, the calories goal will change by 50 calories; the calories goal can be from 50 to 300 calories. In addition, press the Speed increase or decrease button or one of the ten numbered Speed buttons to change the speed setting if desired.

Note: As you change the calories goal or the speed setting, the program time will automatically be recalculated—the higher the calories goal is, or the lower the speed setting is, the longer the program will last.

4 Press the Start button to start the program.

A moment after the button is pressed, the walking belt will begin to move at 2.5 mph (or the speed setting that you selected). Hold the handrails and begin walking.

To change the speed of the walking belt or the incline of the treadmill at any time during the program, press the Speed or Incline buttons. Note: Each time you change the speed of the walking belt, the time remaining in the program will automatically be recalculated.

While you exercise, the console will show the number of calories still to be burned. When you reach your calories goal, the walking belt will slow to a stop.

5 Follow your progress with the displays.

See step 6 on page 11.

6 Measure your heart rate if desired.

See step 7 on page 12.

7 Turn on the fan if desired.

See step 8 on page 12.

8 When you are finished exercising, remove the key.

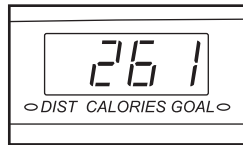
See step 9 on page 12.

THE INFORMATION MODE/DEMO MODE

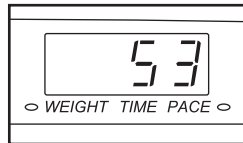
The console features an information mode that keeps track of the total number of miles or kilometers that the walking belt has moved and the total number of hours that the treadmill has been operated. The information mode also allows you to select miles or kilometers as the unit of measurement and to turn on and turn off the demo mode.

To select the information mode, hold down the Stop button while inserting the key into the console, and then release the Stop button. When the information mode is selected, the following information will be displayed:

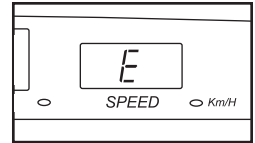
The Distance/Calories display will show the total number of miles or kilometers that the walking belt has moved.



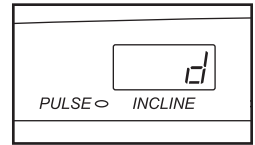
The Weight/Time/Pace display will show the total number of hours that the treadmill has been used.



An “E” for English miles or an “M” for metric kilometers will appear in the Speed display. Press the Speed increase button to change the unit of measurement, if desired.



IMPORTANT: If a “d” appears in the Pulse/Incline display, the console is in the “demo” mode. This mode is intended to be used only when a treadmill is displayed in a store. When the console is in the demo mode, the power cord can be plugged in, the key can be removed from the console, and the indicators in the display will automatically light in a preset sequence. The buttons on the console will not operate. **If a “d” appears when the information mode is selected, press the Speed decrease button so the “d” disappears.**



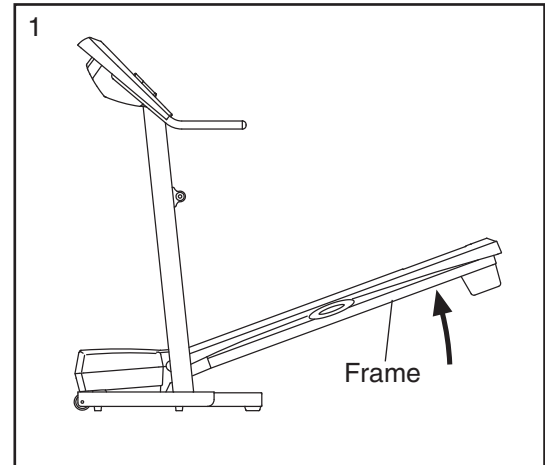
To exit the information mode, remove the key from the console.

HOW TO FOLD AND MOVE THE TREADMILL

HOW TO FOLD THE TREADMILL FOR STORAGE

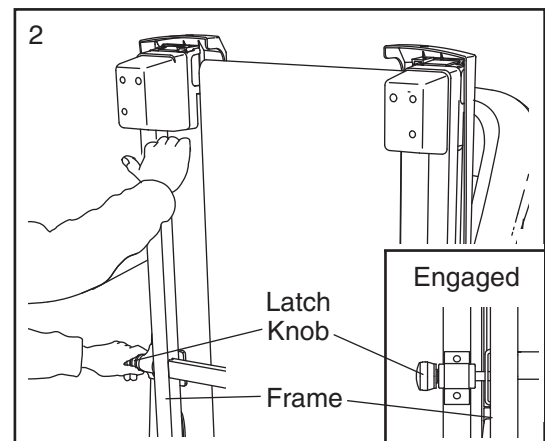
Before folding the treadmill, adjust the incline to the lowest position. If this is not done, the treadmill may be permanently damaged. Next, unplug the power cord. **CAUTION:** You must be able to safely lift 45 pounds (20 kg) to raise, lower, or move the treadmill.

1. Hold the metal frame firmly in the location shown by the arrow at the right. **CAUTION:** To decrease the possibility of injury, do not lift the frame by the plastic foot rails. Make sure you bend your legs and keep your back straight. As you raise the frame, make sure to lift with your legs rather than your back. Raise the frame about halfway to the vertical position.



2. Move your right hand to the position shown and hold the treadmill firmly. Using your left hand, pull the latch knob to the left and hold it. Raise the frame until the hole in the frame is aligned with the latch pin. Slowly release the latch knob; make sure that the latch pin is fully inserted into the hole in the frame.

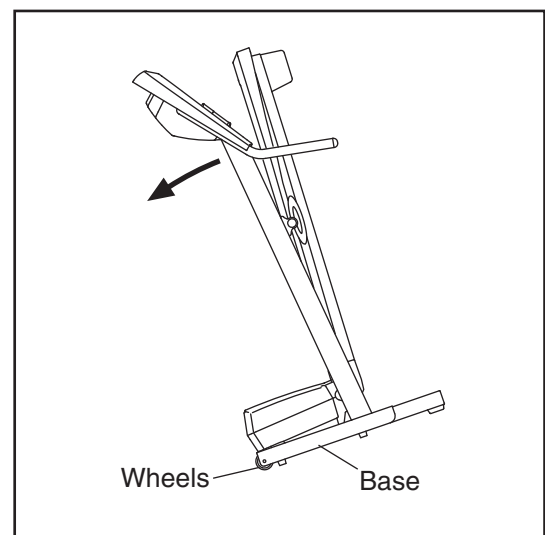
To protect the floor or carpet from damage, place a mat under the treadmill. Keep the treadmill out of direct sunlight. Do not leave the treadmill in the storage position in temperatures above 85° Fahrenheit.



HOW TO MOVE THE TREADMILL

Before moving the treadmill, convert the treadmill to the storage position as described above. **Make sure that the latch pin is fully inserted into the hole in the frame.**

1. Hold the upper ends of the handrails, and place one foot against one of the wheels.
2. Tilt the treadmill back until it rolls freely on the wheels. Carefully move the treadmill to the desired location. **To reduce the risk of injury, use extreme caution while moving the treadmill. Do not move the treadmill over an uneven surface.**
3. Place one foot against one of the wheels, and carefully lower the treadmill until it is resting in the storage position.



HOW TO LOWER THE TREADMILL FOR USE

1. **See drawing 2 above.** Hold the treadmill with your right hand as shown. Pull the latch knob to the left and hold it. Pivot the treadmill down until the frame is past the latch pin.
2. **See drawing 1 above.** Hold the metal frame firmly with both hands, and lower the frame to the floor. **To decrease the possibility of injury, bend your legs and keep your back straight.**

TROUBLESHOOTING

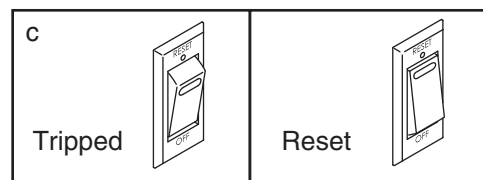
Most treadmill problems can be solved by following the steps below. Find the symptom that applies, and follow the steps listed. If further assistance is needed, please call the toll-free telephone number on the front cover of this manual.

PROBLEM: The power does not turn on

SOLUTION: a. Make sure that the power cord is plugged into a surge suppressor, and that the surge suppressor is plugged into a properly grounded outlet (see page 9). Use only a single-outlet surge suppressor that meets all of the specifications described on page 9. Important: The treadmill is not compatible with GFCI-equipped outlets.

b. After the power cord has been plugged in, make sure that the key is inserted into the console.

c. Check the reset/off circuit breaker located on the treadmill frame near the power cord. If the switch protrudes as shown, the circuit breaker has tripped. To reset the circuit breaker, wait for five minutes and then press the switch back in.



PROBLEM: The power turns off during use

SOLUTION: a. Check the circuit breaker located on the treadmill frame near the power cord (see the drawing above). If the circuit breaker has tripped, wait for five minutes and then press the switch back in.

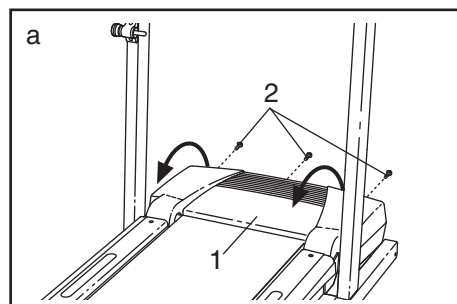
b. Make sure that the power cord is plugged in. If the power cord is plugged in, unplug it, wait for five minutes, and then plug it back in.

c. Remove the key from the console. Reinsert the key into the console.

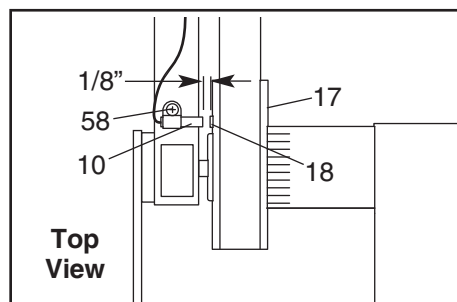
d. If the treadmill still will not run, see the front cover of this manual.

PROBLEM: The displays of the console do not function properly

SOLUTION: a. Remove the key from the console and **UNPLUG THE POWER CORD**. Remove the Screws (2) from the Hood (1), and carefully pivot the Hood off.



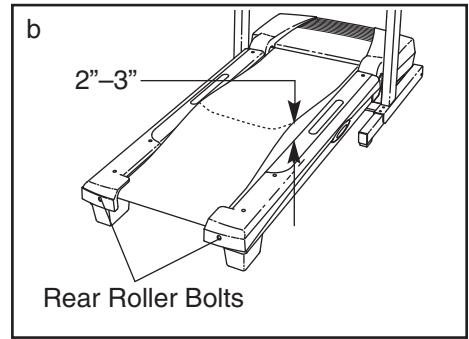
Locate the Reed Switch (10) and the Magnet (18) on the left side of the Pulley (17). Turn the Pulley until the Magnet is aligned with the Reed Switch. **Make sure that the gap between the Magnet and the Reed Switch is about 1/8"**. If necessary, loosen the Screw (2), move the Reed Switch slightly, and then retighten the Screw. Reattach the Hood (not shown), and run the treadmill for a few minutes to check for a correct speed reading.



PROBLEM: The walking belt slows when walked on

SOLUTION: a. Use only a single-outlet surge suppressor that meets all of the specifications described on page 9.

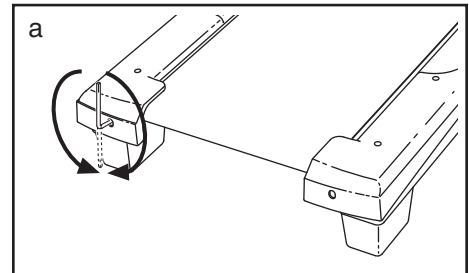
- b. If the walking belt is overtightened, treadmill performance may decrease and the walking belt may become damaged. Remove the key and **UNPLUG THE POWER CORD**. Using the allen wrench, turn both rear roller bolts counterclockwise, 1/4 of a turn. When the walking belt is properly tightened, you should be able to lift each edge of the walking belt 2 to 3 inches off the walking platform. Be careful to keep the walking belt centered. Then, plug in the power cord, insert the key, and run the treadmill for a few minutes. Repeat until the walking belt is properly tightened.



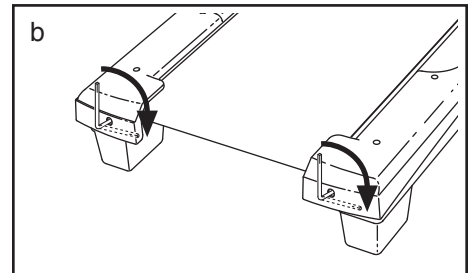
- c. If the walking belt still slows when walked on, see the front cover of this manual.

PROBLEM: The walking belt is off-center or slips when walked on

SOLUTION: a. If the walking belt is off-center, first remove the key and **UNPLUG THE POWER CORD**. **If the walking belt has shifted to the left**, use the allen wrench to turn the left rear roller bolt clockwise 1/2 of a turn; **if the walking belt has shifted to the right**, turn the left bolt counterclockwise 1/2 of a turn. Be careful not to overtighten the walking belt. Then, plug in the power cord, insert the key, and run the treadmill for a few minutes. Repeat until the walking belt is centered.



- b. If the walking belt slips when walked on, first remove the key and **UNPLUG THE POWER CORD**. Using the allen wrench, turn both rear roller bolts clockwise, 1/4 of a turn. When the walking belt is correctly tightened, you should be able to lift each edge of the walking belt 2 to 3 inches off the walking platform. Be careful to keep the walking belt centered. Then, plug in the power cord, insert the key, and carefully walk on the treadmill for a few minutes. Repeat until the walking belt is properly tightened.



CONDITIONING GUIDELINES

⚠️ WARNING: Before beginning this or any exercise program, consult your physician. This is especially important for individuals over the age of 35 or individuals with pre-existing health problems.

The pulse sensor is not a medical device. Various factors, including the user's movement, may affect the accuracy of heart rate readings. The pulse sensor is intended only as an exercise aid in determining heart rate trends in general.

The following guidelines will help you to plan your exercise program. For more detailed exercise information, obtain a reputable book or consult your physician.

EXERCISE INTENSITY

Whether your goal is to burn fat or to strengthen your cardiovascular system, the key to achieving the desired results is to exercise with the proper intensity. The proper intensity level can be found by using your heart rate as a guide. The chart below shows recommended heart rates for fat burning and aerobic exercise.

HEART RATE TRAINING ZONES							
AEROBIC	165	155	145	140	130	125	115
MAX FAT BURN	145	138	130	125	118	110	103
FAT BURN	125	120	115	110	105	95	90
Age	20	30	40	50	60	70	80

To find the proper heart rate for you, first find your age near the bottom of the chart (ages are rounded off to the nearest ten years). Next, find the three numbers above your age. The three numbers define your "training zone." The lower two numbers are recommended heart rates for fat burning; the higher number is the recommended heart rate for aerobic exercise.

Fat Burning

To burn fat effectively, you must exercise at a relatively low intensity level for a sustained period of time. During the first few minutes of exercise, your body uses easily accessible *carbohydrate calories* for energy. Only after the first few minutes does your body

begin to use stored *fat calories* for energy. If your goal is to burn fat, adjust the speed and incline of the treadmill until your heart rate is near the lowest number in your training zone.

For maximum fat burning, adjust the speed and incline of the treadmill until your heart rate is near the middle number in your training zone.

Aerobic Exercise

If your goal is to strengthen your cardiovascular system, your exercise must be "aerobic." Aerobic exercise is activity that requires large amounts of oxygen for prolonged periods of time. This increases the demand on the heart to pump blood to the muscles, and on the lungs to oxygenate the blood. For aerobic exercise, adjust the speed and incline of the treadmill until your heart rate is near the highest number in your training zone.

WORKOUT GUIDELINES

Each workout should include the following three parts:

A Warm-up—Start each workout with 5 to 10 minutes of stretching and light exercise. A proper warm-up increases your body temperature, heart rate and circulation in preparation for exercise.

Training Zone Exercise—After warming up, increase the intensity of your exercise until your pulse is in your training zone for 20 to 60 minutes. (During the first few weeks of your exercise program, do not keep your pulse in your training zone for longer than 20 minutes.) Breathe regularly and deeply as you exercise—never hold your breath.

A Cool-down—Finish each workout with 5 to 10 minutes of stretching to cool down. This will increase the flexibility of your muscles and will help prevent post-exercise problems.

EXERCISE FREQUENCY

To maintain or improve your condition, complete three workouts each week, with at least one day of rest between workouts. After a few months, you may complete up to five workouts each week if desired. The key to success is to make exercise a regular and enjoyable part of your everyday life.

PART LIST—Model No. PFTL41105.0

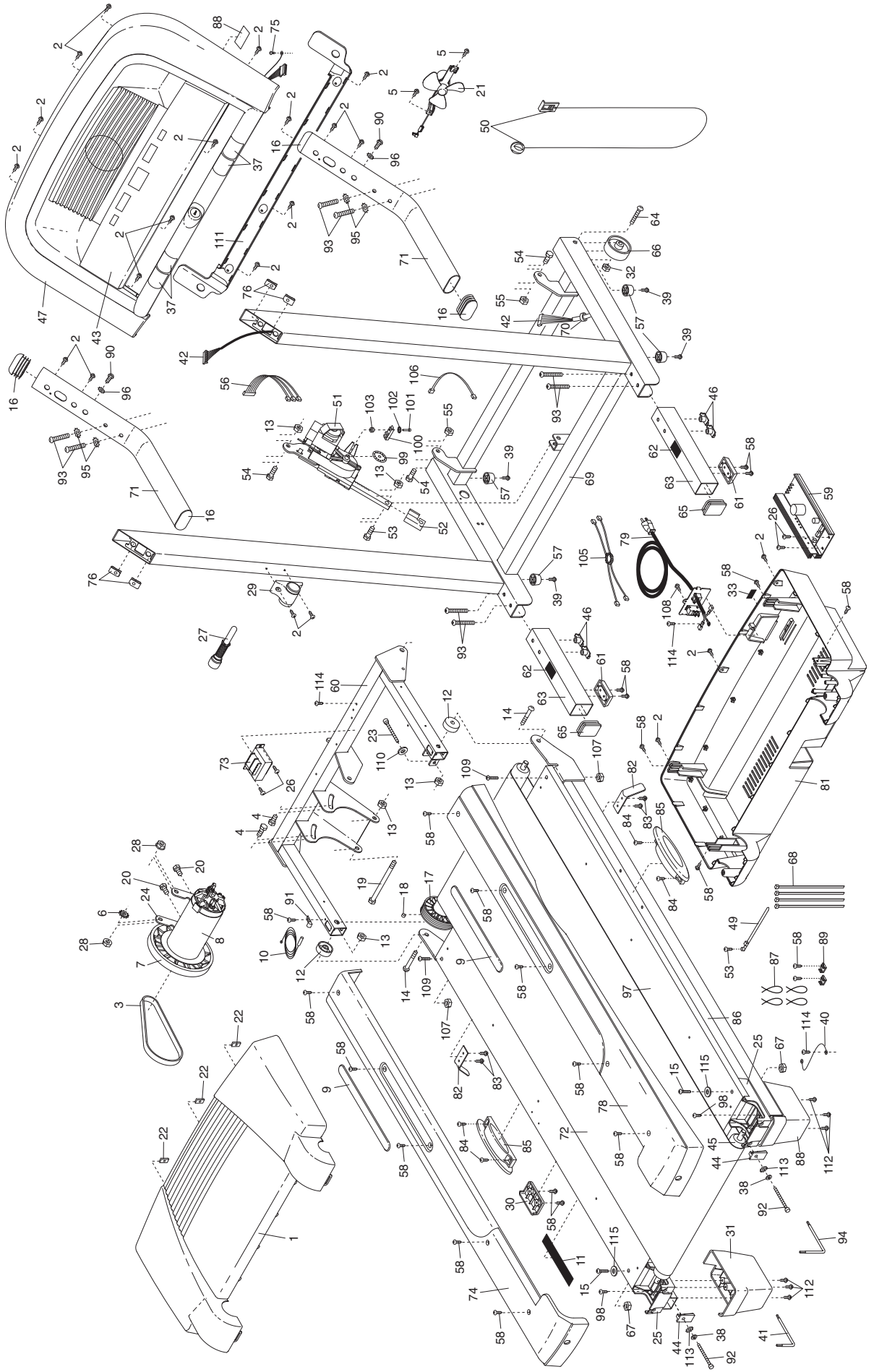
R0706A

Key No.	Qty.	Description	Key No.	Qty.	Description	Key No.	Qty.	Description
1	1	Hood	43	1	Console	87	3	Releasable Tie
2	16	3/4" Screw	44	2	Rear Roller Plate	88	1	Warning Decal
3	1	Motor Belt	45	1	Rear Roller	89	2	Cable Tie Clamp
4	1	Motor Tension Bolt	46	4	Extension Leg Nut	90	2	Console Bolt
5	2	Fan Screw	47	1	Console Base	91	1	Sensor Clip
6	1	Motor Star Washer	48	10	1/2" Screw	92	2	Rear Roller Adjustable Bolt
7	1	Flywheel	49	2	Wire Clamp			
8	1	Drive Motor	50	1	Key/Clip	93	8	Leg/Handrail Bolt
9	2	Foot Rail Cover	51	1	Incline Motor	94	1	Allen Wrench
10	1	Reed Switch	52	1	Incline Bracket	95	4	Handrail Star Washer
11	1	Latch Warning Decal	53	1	Incline Motor Bolt, Lower	96	2	1/4" Star Washer
12	2	Frame Spacer				97	1	Walking Platform
13	5	Frame Pivot Nut/Motor Nut	54	2	Incline Pivot Bolt	98	2	Roller Bracket Screw
14	2	Frame Pivot Bolt	55	2	Incline Pivot Nut	99	1	Optic Disk
15	2	Walking Platform Bolt, Rear	56	1	Motor Controller Wire	100	1	Optic Disk Sensor
16	4	Handrail Endcap	57	4	Round Base Pad	101	1	Small Bolt
17	1	Front Roller/Pulley	58	21	3/4" Tek Screw	102	1	Small Star Washer
18	1	Magnet	59	1	Controller	103	1	Small Nut
19	1	Motor Pivot Bolt	60	1	Lift Frame	104	2	Pulse Plate
20	2	Motor Bracket Bolt	61	2	Extension Leg Pad	105	1	Filter Wire
21	1	Console Fan	62	2	Warning Decal	106	1	Incline Wire
22	3	Hood Clip	63	2	Extension Leg	107	2	Walking Platform Nut, Front
23	1	Front Roller Adjustment Bolt	64	2	Wheel Bolt			
24	1	Motor Mount Bracket	65	4	Extension Leg Endcap	108	3	Power Inlet Screw
25	2	Rear Roller Bracket	66	2	Wheel	109	2	Walking Platform Bolt, Front
26	9	Ground Screw	67	2	1/4" Nut	110	1	Front Roller Washer
27	1	Latch Assembly	68	5	8" Cable Tie	111	1	Pulse Bar Frame
28	1	Motor Tension Nut	69	1	Upright	112	6	Rear Endcap Screw
29	1	Latch Housing	70	1	Grommet	113	2	Rear Roller Star Washer
30	1	Catch	71	2	Handrail			
31	1	Rear Endcap Pad, Left	72	1	Walking Belt	114	4	Ground Screw
32	2	Wheel Nut	73	1	Transformer	115	2	Walking Platform Washer
33	1	Static Decal	74	1	Left Foot Rail			
34	1	Left Grip Plate	75	1	Silver Ground Screw	#	1	6" Black Wire, 2 Ring
35	1	Electronics Bracket	76	4	U-nut	#	1	4" Black Wire, 2F
36	1	Right Grip Plate	77	4	Belly Pan Screw	#	1	4" Black Wire, M/F
37	2	Pulse Plate	78	1	Right Foot Rail	#	1	6" Green Wire, F/R
38	2	Rear Roller Washer	79	1	Power Cord	#	1	4" White Wire, M/F
39	6	1" Tek Screw	80	1	Walking Platform	#	1	4" Blue Wire, 2F
40	1	Ground Wire	81	1	Belly Pan	#	1	4" Red Wire, M/F
41	1	5/32" Allen Wrench	82	2	Belt Guide	#	1	User's Manual
42	1	Wire Harness	83	4	Belt Guide Screw			
			84	4	Isolator Fastener			
			85	2	Isolator Cushion			
			86	1	Frame			

#These parts are not illustrated

EXPLODED DRAWING—Model No. PFTL41105.0

R0706A



ORDERING REPLACEMENT PARTS

To order replacement parts, see the front cover of this manual. To help us assist you, please be prepared to give the following information:

- the MODEL NUMBER of the product (PFTL41105.0)
- the NAME of the product (PROFORM 450 treadmill)
- the SERIAL NUMBER of the product (see the front cover of this manual)
- the KEY NUMBER AND DESCRIPTION OF THE PART(S) (see the EXPLODED DRAWING and the PART LIST attached in the center of this manual)

LIMITED WARRANTY

ICON Health & Fitness, Inc. (ICON), warrants this product to be free from defects in workmanship and material, under normal use and service conditions. The drive motor is warranted for five (5) years after the date of purchase. Parts and labor are warranted for ninety (90) days after the date of purchase.

This warranty extends only to the original purchaser. ICON's obligation under this warranty is limited to replacing or repairing, at ICON's option, the product through one of its authorized service centers. All repairs for which warranty claims are made must be pre-authorized by ICON. If the product is shipped to a service center, freight charges to and from the service center will be the customer's responsibility. For in-home service, the customer will be responsible for a minimal trip charge. This warranty does not extend to any product or damage to a product caused by or attributable to freight damage, abuse, misuse, improper or abnormal usage or repairs not provided by an ICON authorized service center; to products used for commercial or rental purposes; or to products used as store display models. No other warranty beyond that specifically set forth above is authorized by ICON.

ICON is not responsible or liable for indirect, special or consequential damages arising out of or in connection with the use or performance of the product or damages with respect to any economic loss, loss of property, loss of revenues or profits, loss of enjoyment or use, costs of removal or installation or other consequential damages of whatsoever nature. Some states do not allow the exclusion or limitation of incidental or consequential damages. Accordingly, the above limitation may not apply to you.

The warranty extended hereunder is in lieu of any and all other warranties and any implied warranties of merchantability or fitness for a particular purpose is limited in its scope and duration to the terms set forth herein. Some states do not allow limitations on how long an implied warranty lasts. Accordingly, the above limitation may not apply to you.

This warranty gives you specific legal rights. You may also have other rights which vary from state to state.

ICON HEALTH & FITNESS, INC., 1500 S. 1000 W., LOGAN, UT 84321-9813