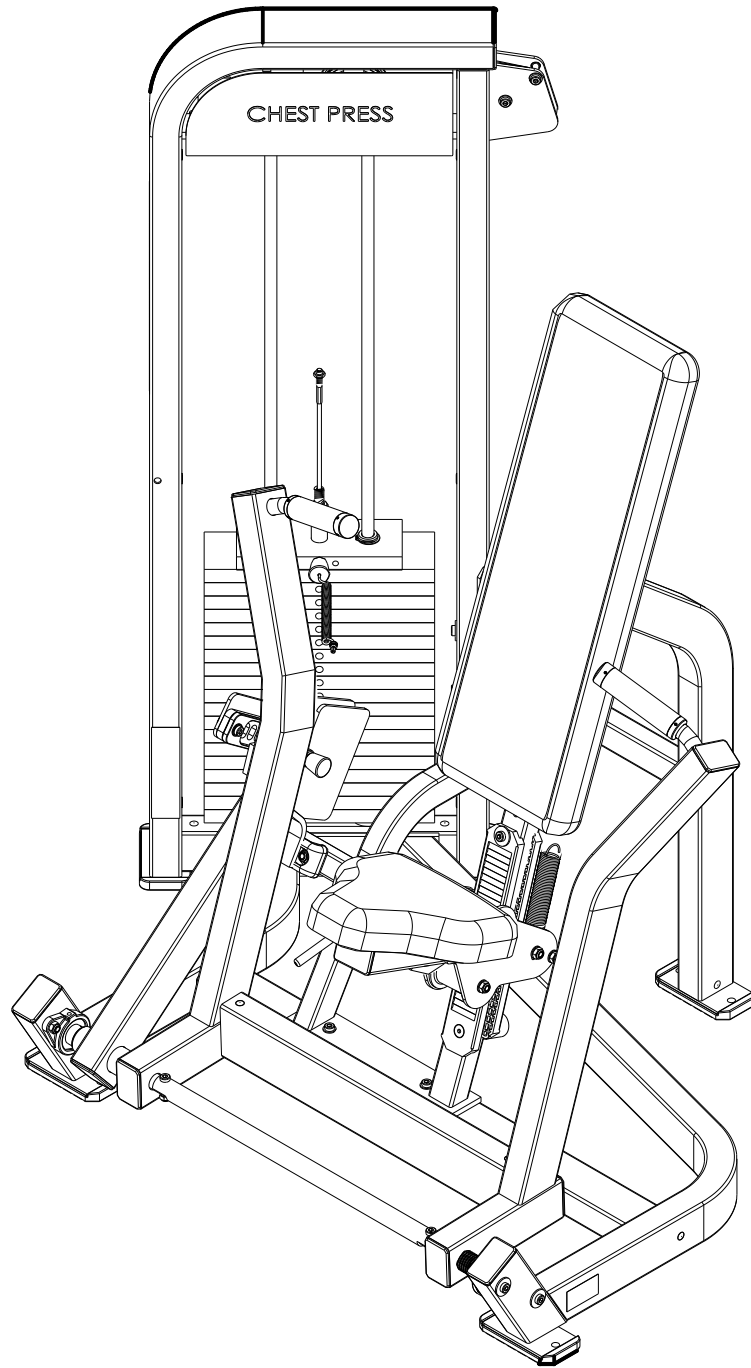




## PRO 2 SERIES PSCPSE CHEST PRESS



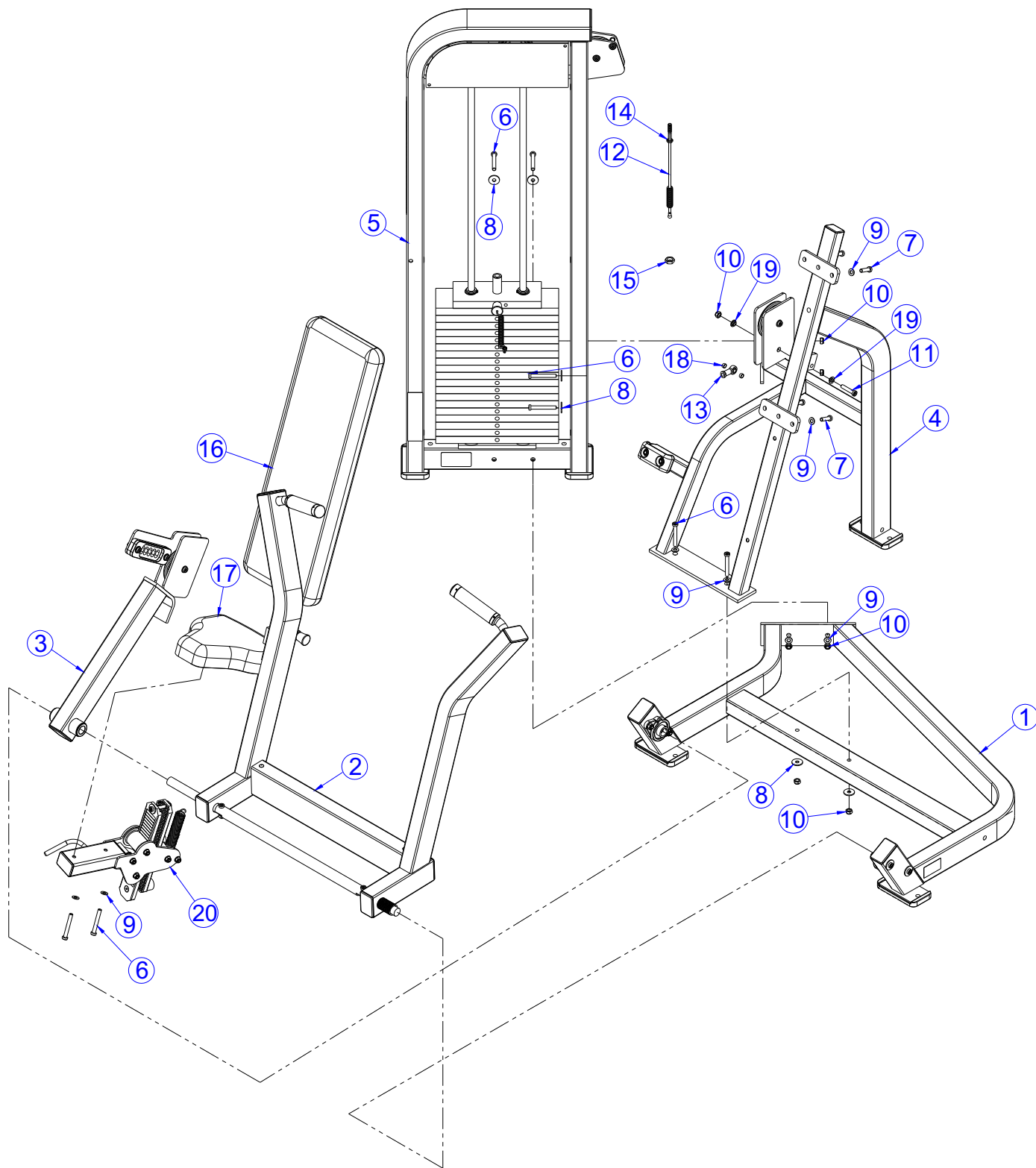
Customer Support Services  
**PARTS MANUAL**

# PSCPSE CHEST PRESS CONTENTS

---

	Page
COMPONENT ASSEMBLY	3
COMPONENT ASSEMBLY LEGEND	4
WORKBOX ASSEMBLY	5
WORKBOX ASSEMBLY LEGEND	6
WORK ARM ASSEMBLY	7
WORK ARM ASSEMBLY LEGEND	8
ADJUSTMENT ARM ASSEMBLY	9
ADJUSTMENT ARM ASSEMBLY LEGEND	10
SEAT FRAME ASSEMBLY	11
SEAT FRAME ASSEMBLY LEGEND	12
97° ROLLER SEAT ASSEMBLY	13
97° ROLLER SEAT ASSEMBLY LEGEND	14
STACK FRAME ASSEMBLY	15
STACK FRAME ASSEMBLY LEGEND	16
5LB INCREMENT WEIGHT ASSEMBLY	17
INCREMENT WEIGHT ASSEMBLY W/STRIKER	18
WEIGHT STACK (300LB)	19
REAR SHROUD KIT	20
OPTIONAL FULL SHROUD KIT	21
IMAGE	22

# PSCPSE CHEST PRESS COMPONENT ASSEMBLY



SEE PAGE 4 FOR LEGEND

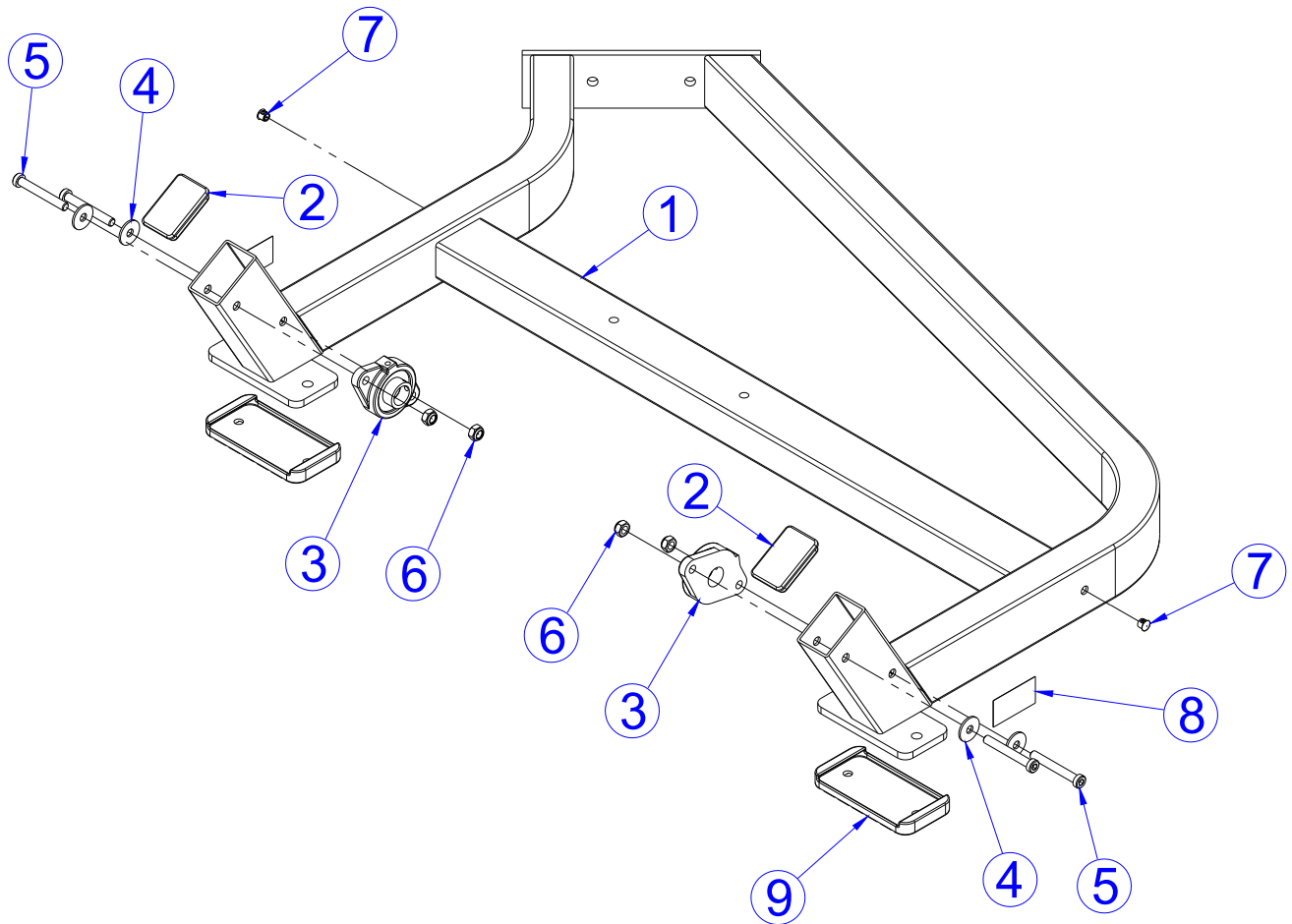
# PSCPSE CHEST PRESS COMPONENT ASSEMBLY LEGEND

---

ITEM NO.	QTY.	PART NO.	DESCRIPTION
1	1	7366301	ASSY,PSCP WORKBOX
2	1	7367101	ASSY,PSCP WORK ARM
3	1	7366901	ASSY,PSCP ADJ ARM
4	1	7366501	ASSY, PSCP SEAT FRAME
5	1	7366701	ASSY,PSCP STACK FRAME
6	8	3236212	SCREW, M10 X1.5 75MM
7	4	3236204	SCREW, M10 X1.5 35MM
8	6	3236602	WASHER, 3/8 ID X 1.25 OD SS
9	12	3236601	WASHER, 3/8 SAE SS
10	7	3236801	NUT, M10 HEX NYLOCK SS
11	1	3236207	SCREW, M10 X1.5 50MM
12	1	7423602	CABLE, PSCP
13	1	3237901	ROD END, METRIC FEMALE
14	1	3236901	NUT, M10 X 1.5 JAM
15	1	3236902	NUT, M16 X 2 HEX JAM SS
16	1	73540xx	PAD, BACK 32-1/2 X 11-1/4
17	1	73519xx	PAD, SADDLE
18	2	7489402	BSHNG, .500 OD X .402 ID
19	2	7348101	WASHER, SPACER
20	1	7397901	ASSY, 97 DEG ROLLER SEAT

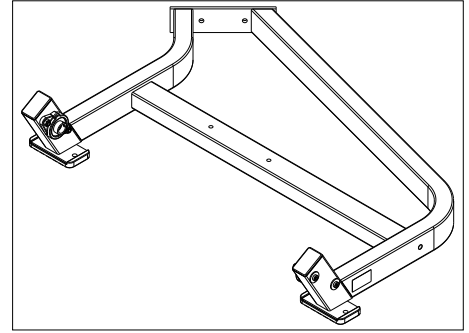
# PSCPSE CHEST PRESS WORKBOX ASSEMBLY - 7366301

---



SEE PAGE 6 FOR LEGEND

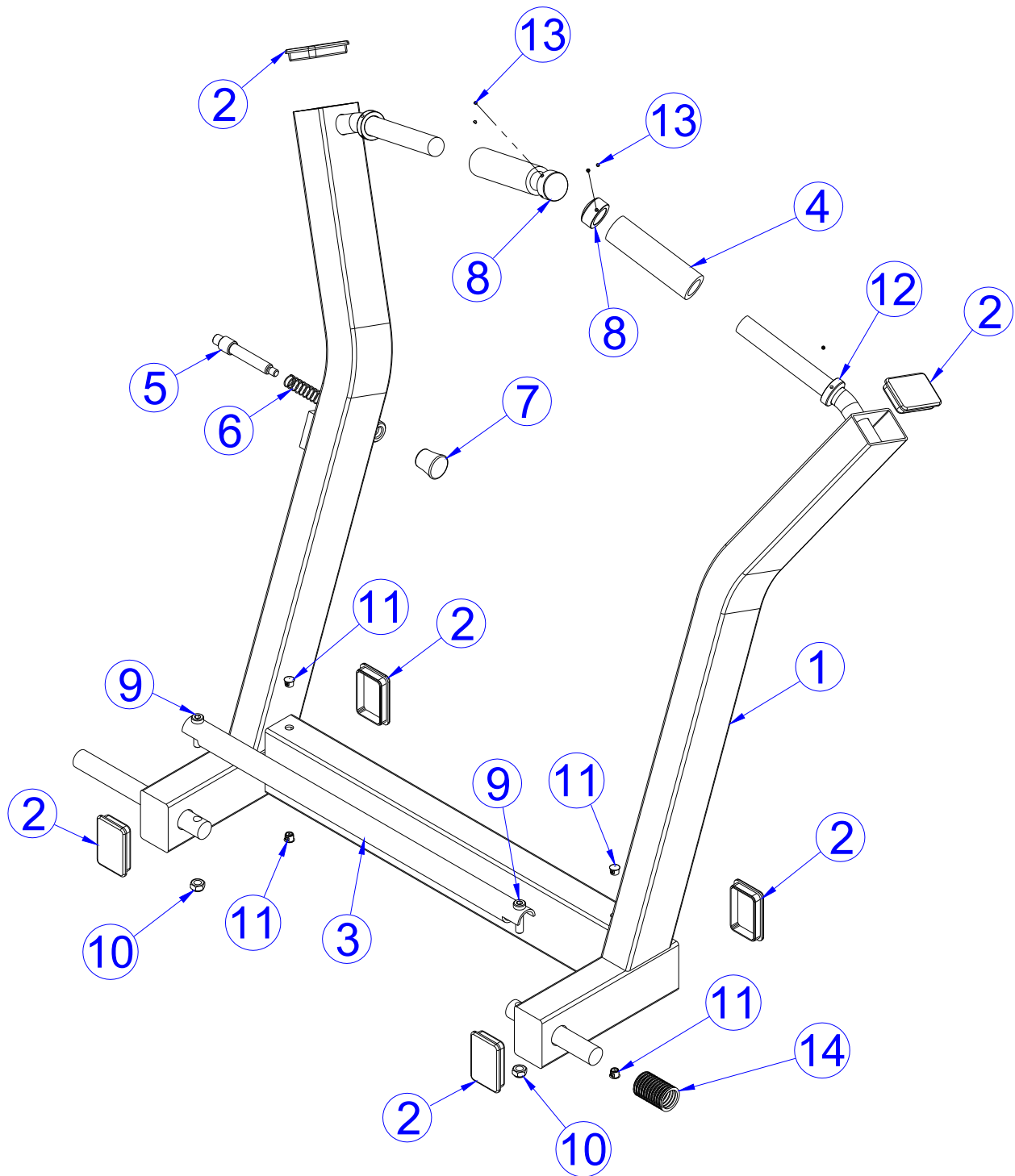
# PSCPSE CHEST PRESS WORKBOX ASSEMBLY LEGEND



ITEM NO.	QTY.	PART NO.	DESCRIPTION
1	1	7366401	WLDMT-PSCP-WORKBOX
2	2	7352301	CAP, END 2 X 3
3	2	3237701	ASSY, PILLOW BLOCK 4.88 X 2.75
4	4	3236602	WASHER, 3/8 ID X 1.25 OD SS
5	4	3236212	SCREW, M10 X1.5 75MM
6	4	3236801	NUT, M10 HEX NYLOCK SS
7	2	3237401	PLUG, 7/16" HOLE
8	2	7422003	LABEL, MOVING PARTS
9	2	7388201	FOOTPAD, PS RUBBER

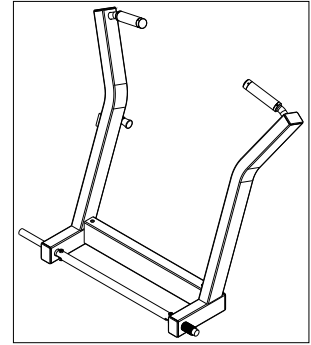
# PSCPSE CHEST PRESS WORK ARM ASSEMBLY - 7367101

---



SEE PAGE 8 FOR LEGEND

# PSCPSE CHEST PRESS WORK ARM ASSEMBLY LEGEND

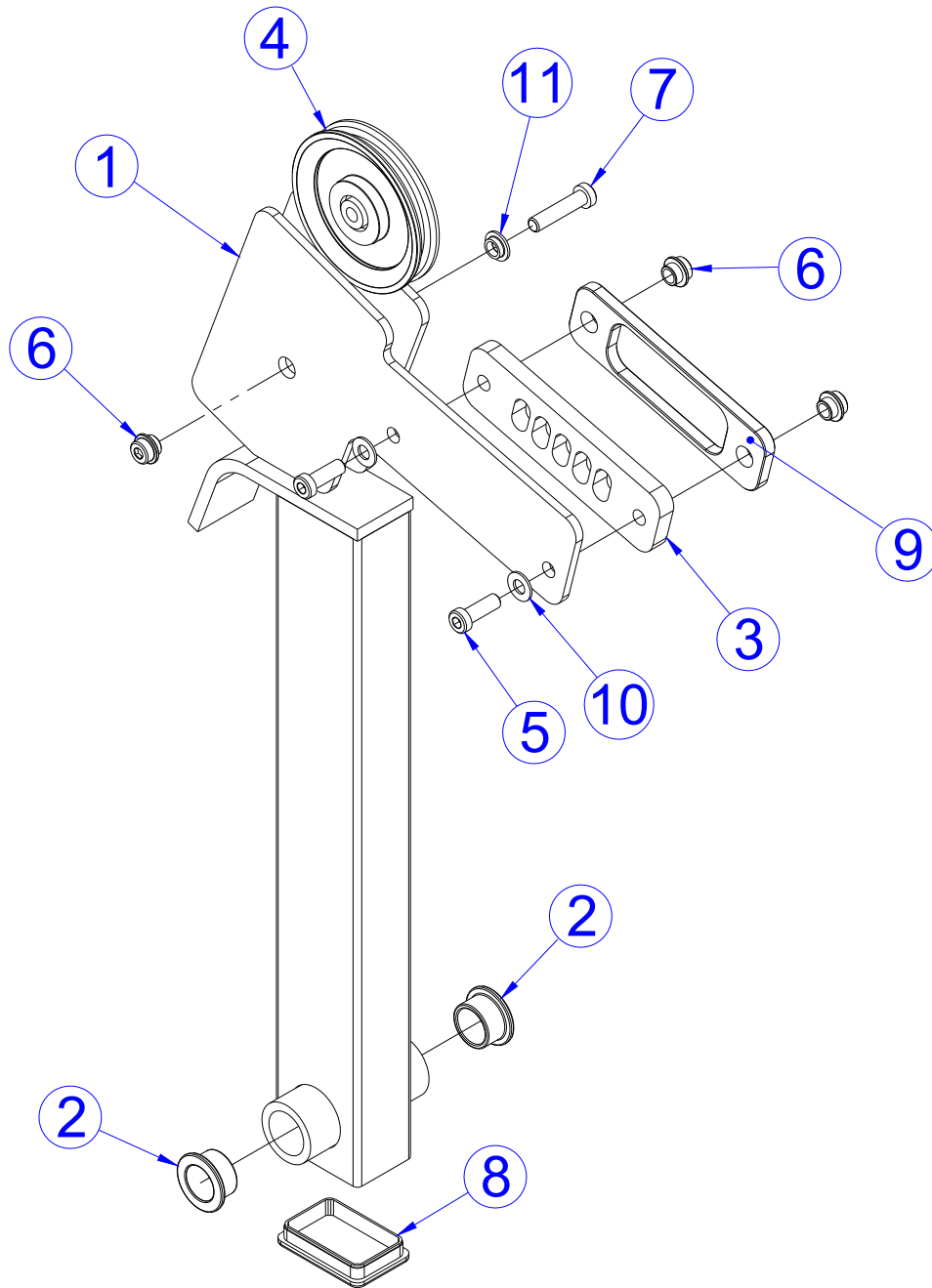


ITEM NO.	QTY.	PART NO.	DESCRIPTION
1	1	7367201	WLDMT-PSCP-MOVEMENT ARM
2	6	7352301	CAP, END 2 X 3
3	1	7353302	TUBE, PSCP FOOT REST LINEXED
4	2	3235802	GRIP, 1.50 OD OPEN END
5	1	7351301	PIN, PULL X 4.375
6	1	7351501	SPRING; PULL PIN LARGE
7	1	7351401	KNOB, TULIP STYLE
8	2	7662902	CAP, GRIP 1.50 OD
9	2	3236205	SCREW, M10 X1.5 40MM
10	2	3236801	NUT, M10 HEX NYLOCK SS
11	4	3237401	PLUG, 7/16" HOLE
12	2	7662802	RING, GRIP 1.50 OD
13	8	3247701	M4 X .7 HXS NO CUP ST BO
14	1	6912804	SLEEVE, ACCRDN 1.0 ID X 2



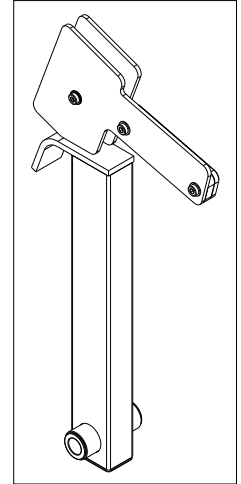
# PSCPSE CHEST PRESS ADJUSTMENT ARM ASSEMBLY - 7366901

---



SEE PAGE 10 FOR LEGEND

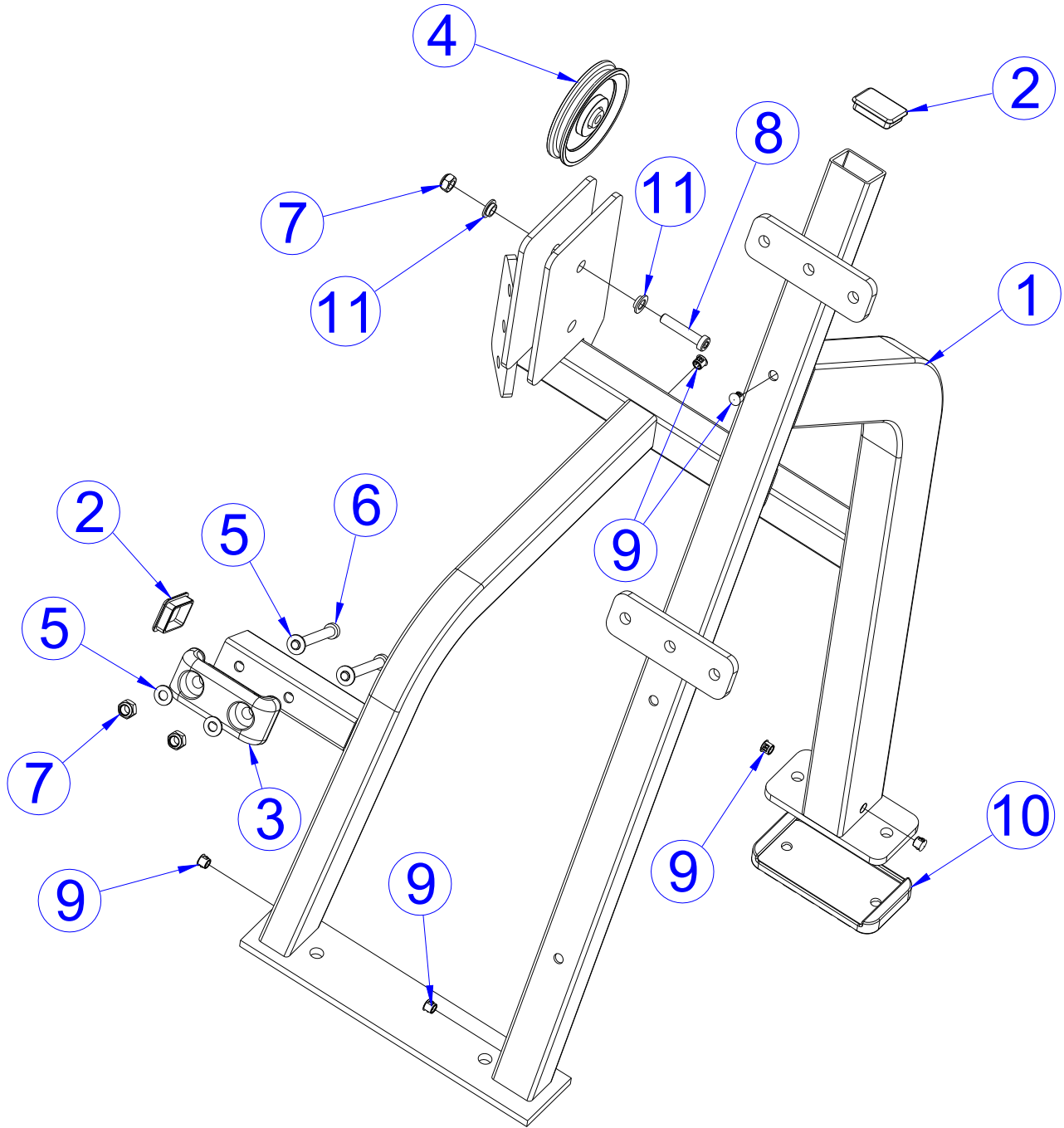
# PSCPSE CHEST PRESS ADJUSTMENT ARM ASSEMBLY LEGEND



ITEM NO.	QTY.	PART NO.	DESCRIPTION
1	1	7379601	WLDMT, PSCP ADJ ARM
2	2	3104903	1.00" ID 1.25" OD BRONZ BUSHING
3	1	7352501	5-HOLE SELECTOR PLATE
4	1	3237801	PULLEY, 4.5" OD
5	2	3236203	SCREW, M10 X1.5 30MM
6	3	7335401	NUT, M10 X 1.5 SOCKET HEAD
7	1	3236206	SCREW, M10 X1.5 45MM
8	1	7352301	CAP, END 2 X 3
9	1	7350901	PLATE, SLOT STOP
10	2	3236601	WASHER, 3/8 SAE SS
11	1	7348101	WASHER, SPACER

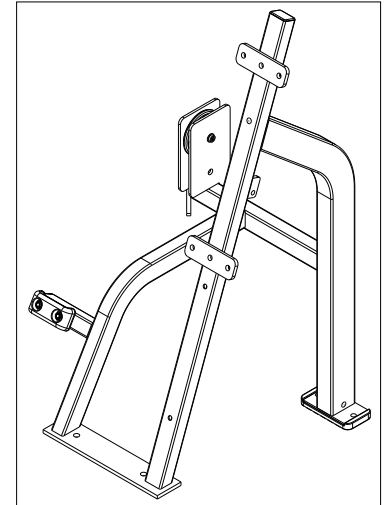
# PSCPSE CHEST PRESS SEAT FRAME ASSEMBLY - 7366501

---



SEE PAGE 12 FOR LEGEND

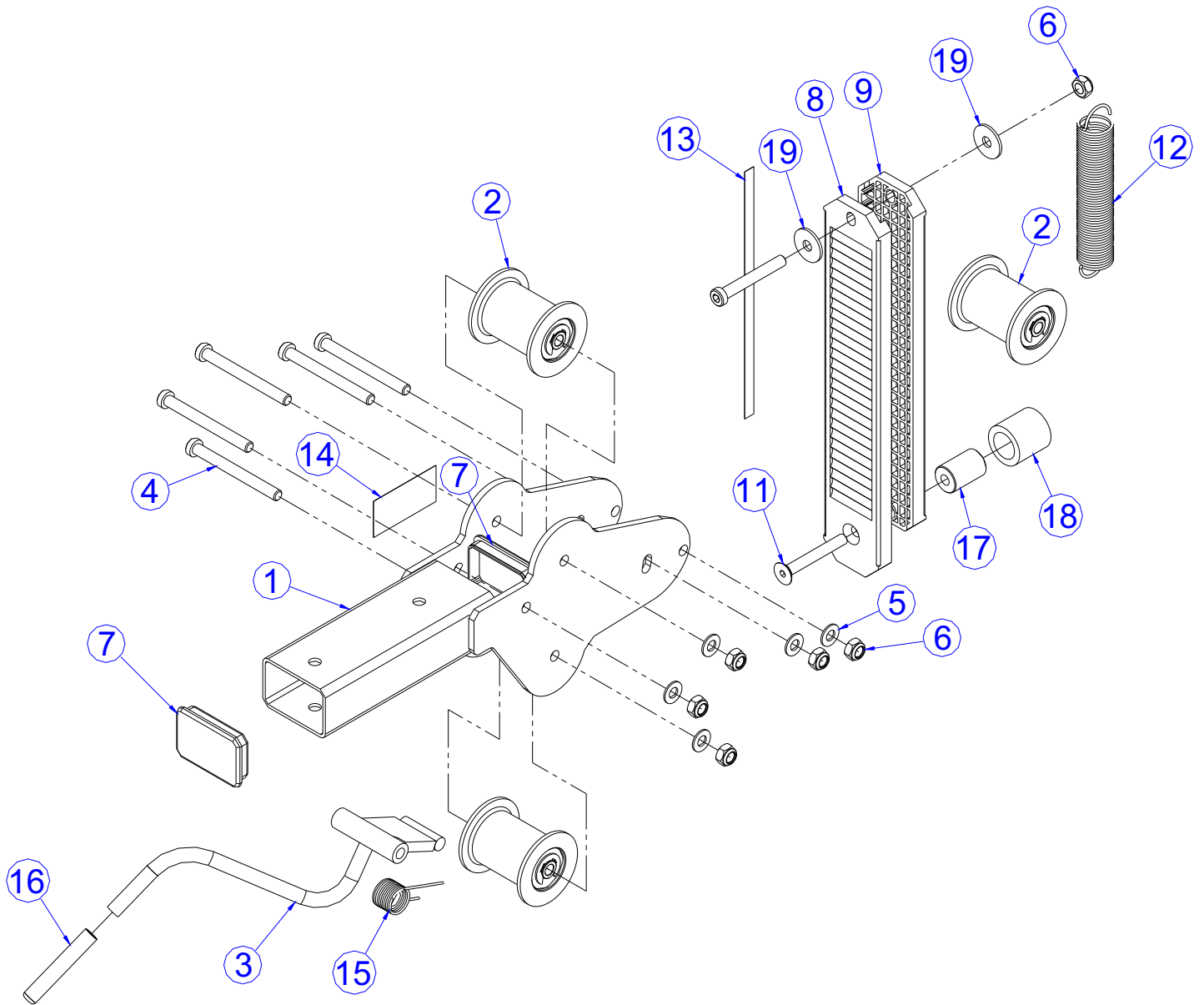
# PSCPSE CHEST PRESS SEAT FRAME ASSEMBLY LEGEND



ITEM NO.	QTY.	PART NO.	DESCRIPTION
1	1	7366601	WLDMT,PSCP SEAT FRAME
2	2	7352201	CAP, END 1-1/2 X 2
3	1	7352001	BUMPER, 2-1/8 X 4-5/8
4	1	3237801	PULLEY, 4.5" OD
5	4	3236601	WASHER, 3/8 SAE SS
6	2	3236213	SCREW, M10 X1.5 80MM
7	3	3236801	NUT, M10 HEX NYLOCK SS
8	1	3236207	SCREW, M10 X1.5 50MM
9	6	3237401	PLUG, 7/16" HOLE
10	1	7388201	FOOTPAD, PS RUBBER
11	2	7348101	WASHER, SPACER

# PSCPSE CHEST PRESS 97° ROLLER SEAT ASSEMBLY - 7397901

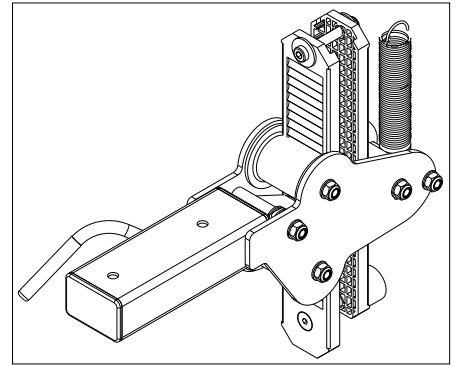
---



SEE PAGE 14 FOR LEGEND

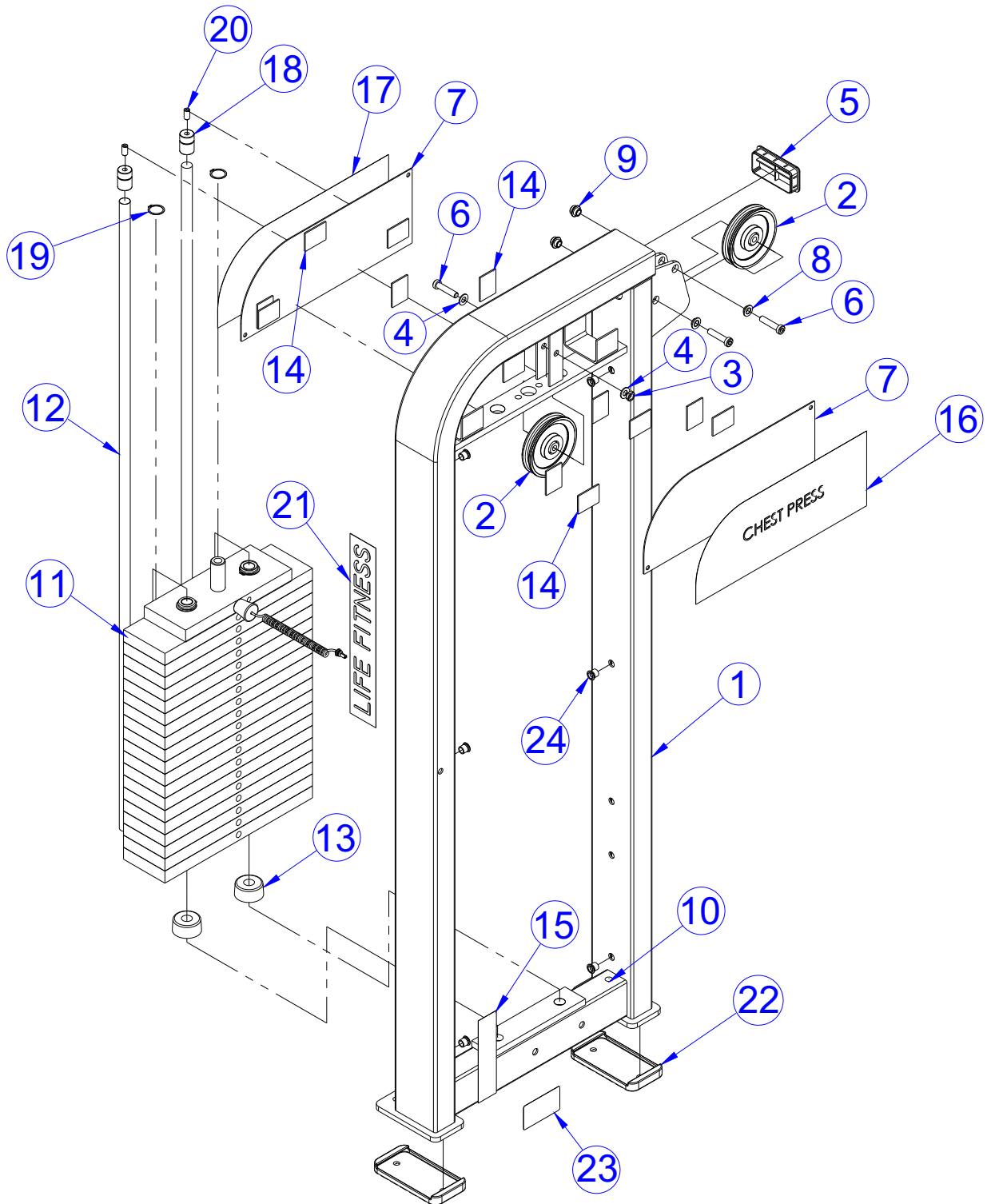
# PSCPSE CHEST PRESS

## 97° ROLLER SEAT ASSEMBLY LEGEND



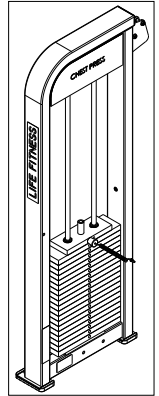
ITEM NO.	QTY.	PART NO.	DESCRIPTION
1	1	7398001	WLDMNT, 97 DEG ROLLER SEAT
2	3	7564201	ASSY, SEAT ROLLER
3	1	7387595	WELDMNT, PS-ROLLER SEAT HANDLE
4	5	3236217	SCREW, M10 X1.5 100MM
5	5	3236601	WASHER, 3/8 SAE SS
6	6	3236801	NUT, M10 HEX NYLOCK SS
7	2	7352301	CAP, END 2 X 3
8	1	7564301	SEATRACK, ROLLER SERRATED
9	1	7564401	SEATRACK, FLAT
10	1	3236212	SCREW, M10 X1.5 75MM
11	1	3238312	M10x1.5x75mm
12	1	7442601	SPRING, PRO2 ROLLER SEAT
13	1	7422002	LABEL, SEAT ADJUST
14	1	7422001	LABEL, SEAT INST
15	1	7442701	SPRNG, PRO2 HANDLE TORSION
16	1	3238502	CAP, 1/2 X 3
17	1	7570601	STOP, ROLLER SEAT
18	1	3235802	GRIP, SHADOW GRAY, 1.5"
19	2	3236602	WASHER, 3/8 ID X 1.25 OD SS

# PSCPSE CHEST PRESS STACK FRAME ASSEMBLY - 7366701



SEE PAGE 16 FOR LEGEND

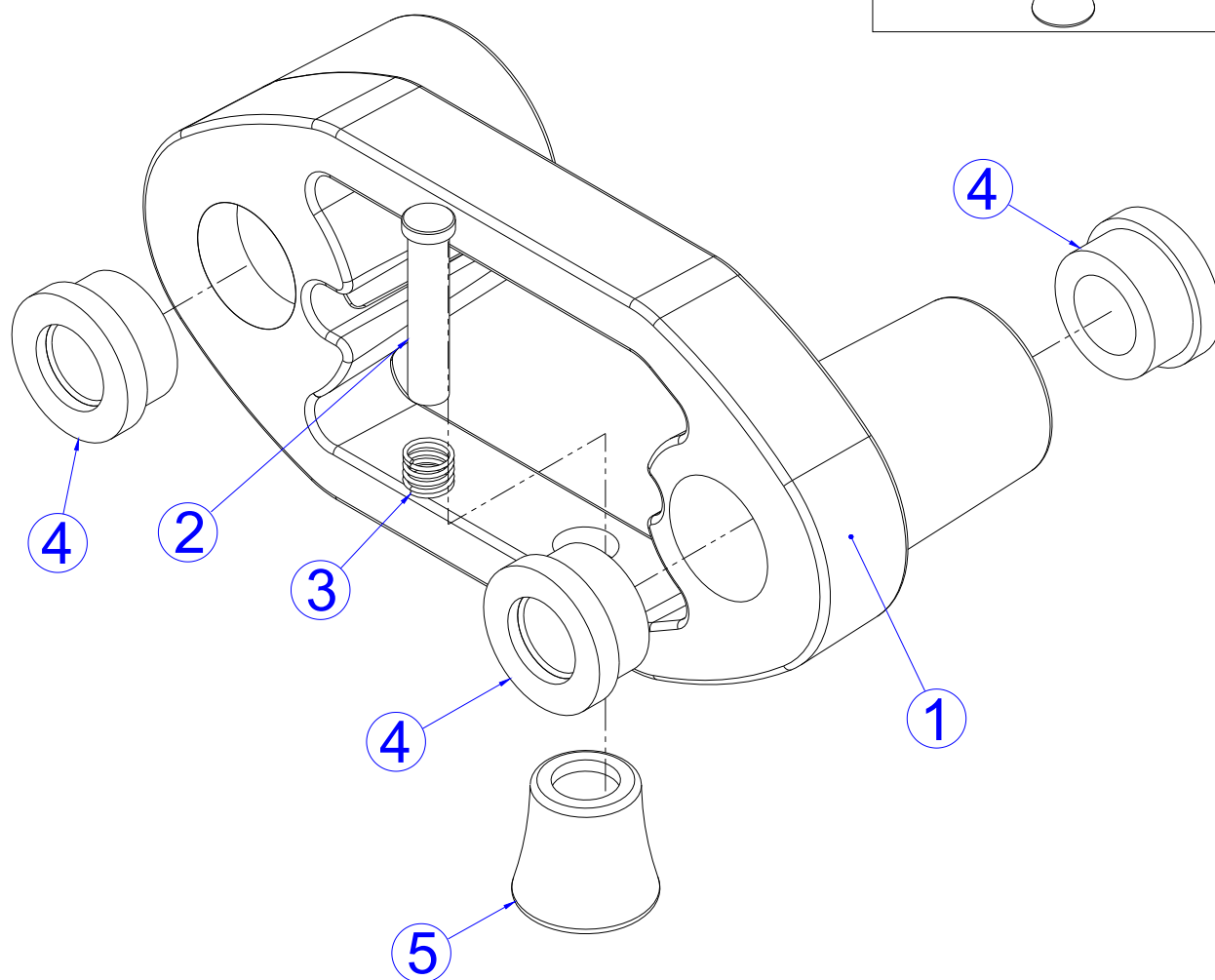
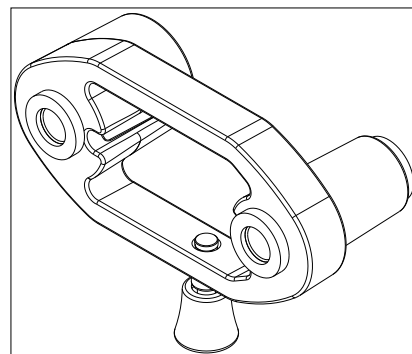
# PSCPSE CHEST PRESS STACK FRAME ASSEMBLY LEGEND



ITEM NO.	QTY.	PART NO.	DESCRIPTION
1	1	7366801	WLDMT, PSCP, STACK FRAME
2	2	3237801	PULLEY, 4.5" OD
3	1	3236901	NUT, M10 X 1.5 JAM
4	2	3236601	WASHER, 3/8 SAE SS
5	1	7352401	CAP, END 2 X 4
6	3	3236206	SCREW, M10 X1.5 45MM
7	2	7606602	COVER, STACK-PRO2 STD
8	2	7348101	WASHER, SPACER
9	2	7335401	NUT, M10 X 1.5 SOCKET HEAD
10	2	3237401	PLUG, 7/16" HOLE
11	1	7353501	ASSY, 300LB STACK
12	2	7328605	GUIDE ROD, .75 OD SOLID 52.38
13	2	7352101	CUSHION, WEIGHT STACK
14	12	7544202	PAD, DUAL LOCK 250 1.5" X 2.0"
15	1	7422004	LABEL, 2" ASTM WARN
16	1	7425401	LABEL, PSCP PLACARD
17	1	7490501	LABEL, PSCP LOGO PANEL
18	2	7402301	RETAINER, GUIDEROD
19	2	3232421	RING, BRE .940, 5100-100 ST PP B
20	2	3240501	M10 X 1.5 HXS NO CUP ST BO
21	1	7348001	LABEL, LIFE FITNESS LOGO
22	2	7388201	FOOTPAD, PS RUBBER
23	1	7571301	LABEL, SERIAL NUMBER
24	6	3238101	NUT, BLIND INSERT M10 X 1.5

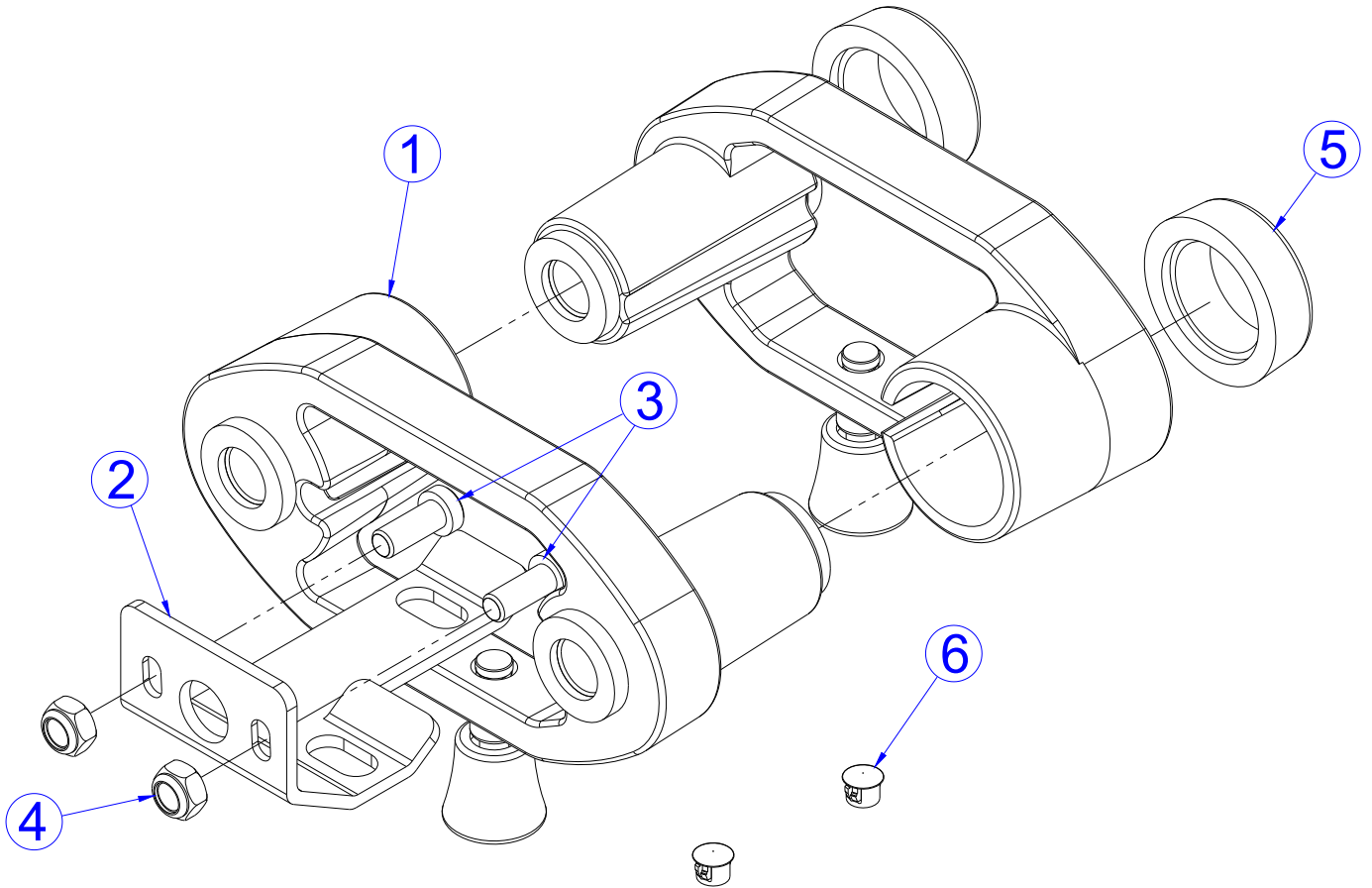
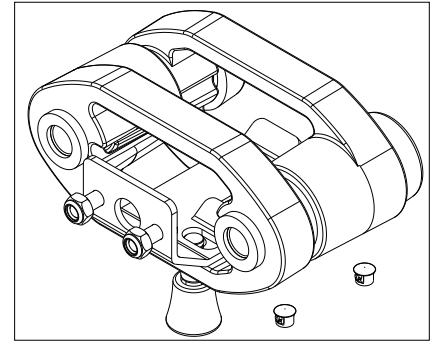


# PSCPSE CHEST PRESS 5LB INCREMENT WEIGHT ASSEMBLY - 7446501



ITEM NO	QTY	PART NO	DESCRIPTION
1	1	7446602	BODY, 5LB INCREMENT WEIGHT
2	1	7446901	PIN, RETAINING
3	1	7447001	SPRING, COMPRESSION
4	3	7560001	BUSHING, MTS, INC WEIGHT
5	1	7351401	KNOB, TULIP STYLE

# PSCPSE CHEST PRESS INCREMENT WEIGHT W/STRIKER - 7415101

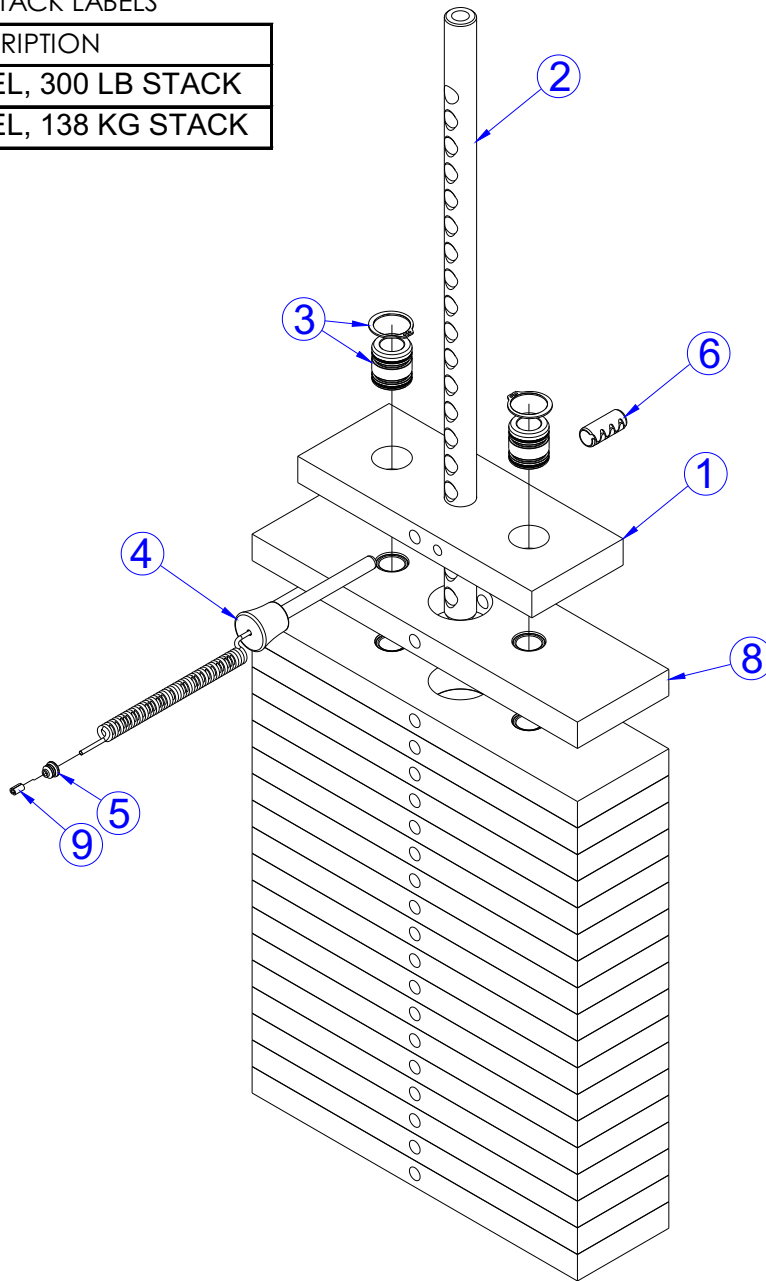
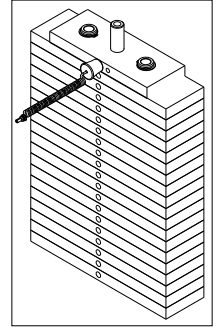


ITEM NO	QTY	PART NO	DESCRIPTION
1	2	7446501	ASSY, 5LB INCREMENT WEIGHT
2	1	8002601	PLATE, INCR. WT STRIKER
3	2	3236202	SCREW, M10 X1.5 25MM
4	2	3236801	NUT, M10 HEX NYLOCK SS
5	2	7767601	BUMPER, PS INCREMENT WT
6	2	3237401	PLUG, 7/16" HOLE

# PSCPSE CHEST PRESS WEIGHT STACK ASSY 300LB - 7353501

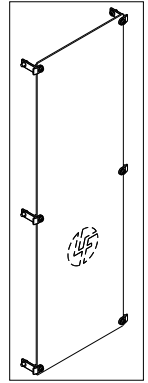
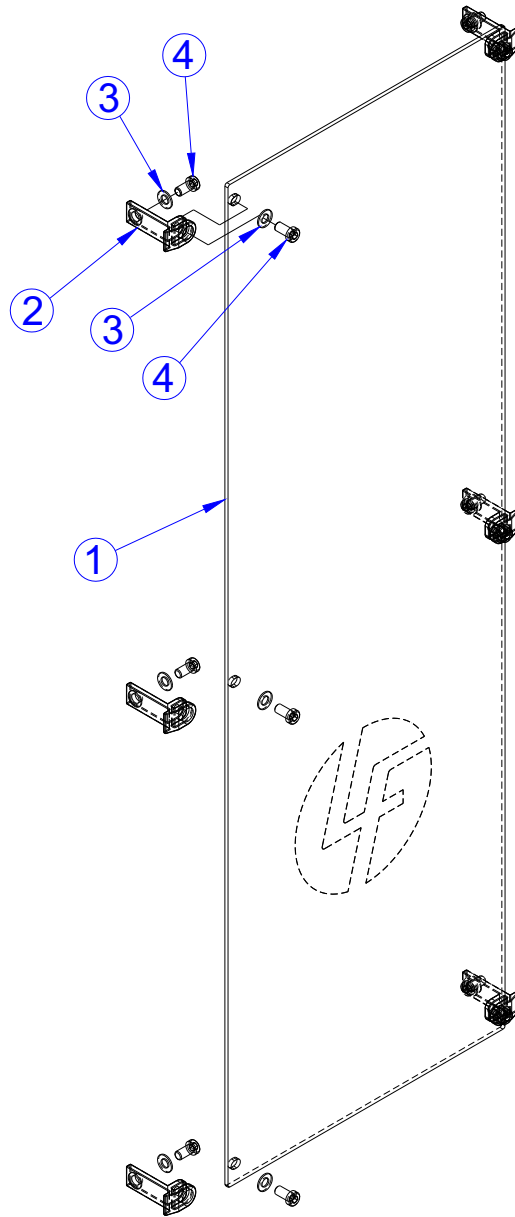
## WEIGHT STACK LABELS

PART NO.	DESCRIPTION
7987201	LABEL, 300 LB STACK
7987401	LABEL, 138 KG STACK



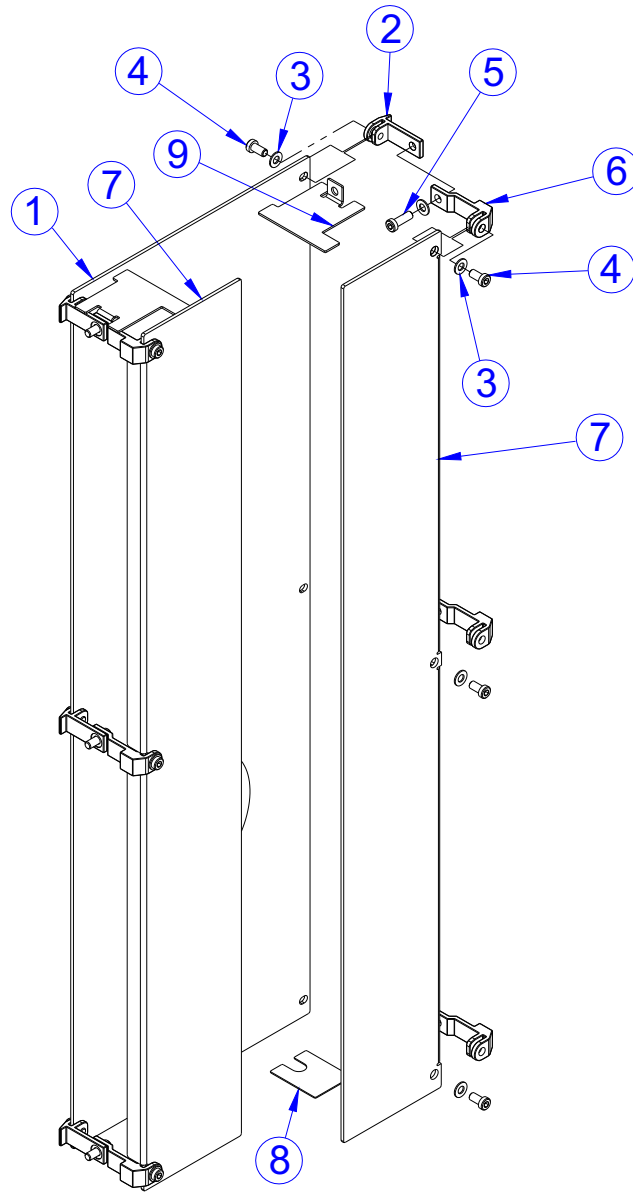
ITEM NO.	QTY.	PART NO.	DESCRIPTION
1	1	7353901	HEADPLATE, WT. STACK
2	1	7356600	STEM, PRO2 19 HOLE
3	2	7338001	BUSHING, HEADPLATE
4	1	7353001	ASSY, SELECTOR PIN
5	1	7356501	PLUG, LANYARD ATTACHMENT
6	1	3236001	BUSHING, SPRING PIN
8	19	7353801	ASSY, 15 LB PLATE
9	1	7523601	CRIMP, CABLE

# PSCPSE CHEST PRESS REAR SHROUD KIT STD-MED - 7415202



ITEM NO.	QTY.	PART NO.	DESCRIPTION
1	1	7376802	SHIELD, PS REAR
2	6	7655301	BRACKET, PS REAR SHIELD
3	12	3236601	WASHER, 3/8 SAE SS
4	12	3236201	SCREW, M10 X1.5 20MM

# PSCPSE CHEST PRESS OPTIONAL FULL SHROUD KIT STD-MED - 7539602



ITEM NO.	QTY.	PART NO.	DESCRIPTION
1	1	7376802	SHIELD, PS REAR
2	6	7655301	BRACKET, PS REAR SHIELD
3	18	3236601	WASHER, 3/8 SAE SS
4	12	3236201	SCREW, M10 X1.5 20MM
5	6	3236203	SCREW, M10 X1.5 30MM
6	6	7376601	BRACKET, PS FRONT SHIELD
7	2	7376902	SHIELD, PS - FRONT
8	2	7570901	PLATE, PS SHIELD STAND-OFF
9	2	7657401	PLATE, PRO2 SHROUD SPCR

# PSCPSE CHEST PRESS IMAGE

---

