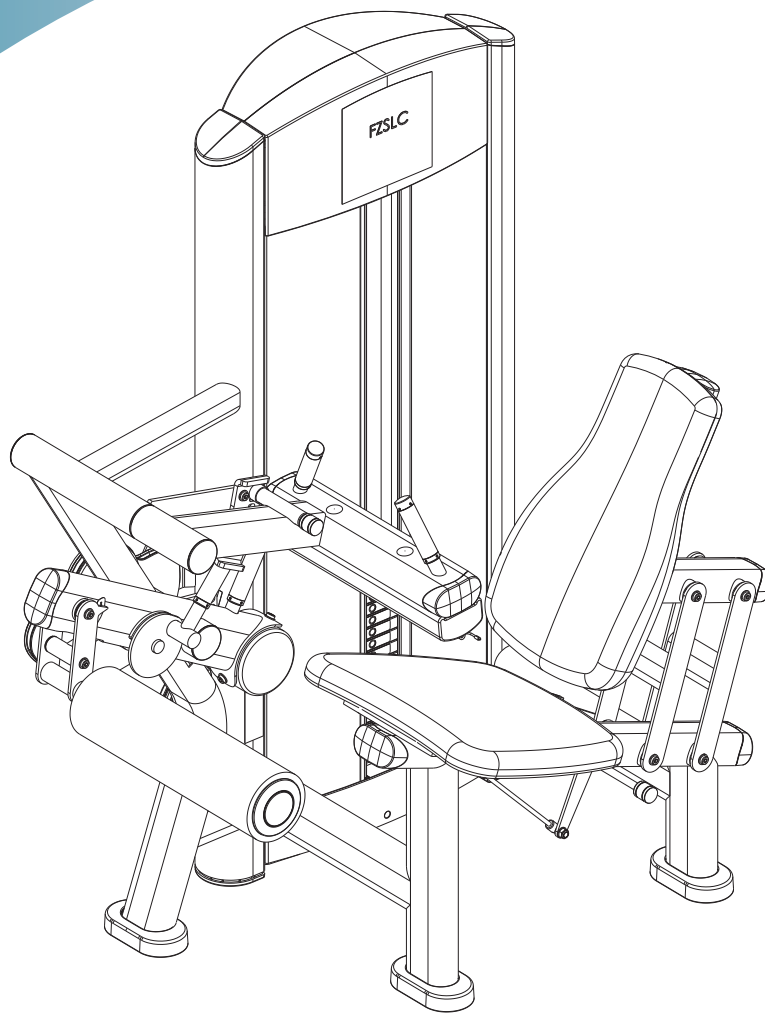


Signature Series Single Station Seated Leg Curl

FZSLC

Parts List



FZSLC SEATED LEG CURL CONTENTS

FRAME AND UPHOLSTERY COLORS..... 3

SHROUD OPTIONS..... 4

COMPONENT ASSEMBLY..... 5

COMPONENT ASSEMBLY II..... 6

COMPONENT ASSEMBLY LEGEND..... 7

MID-14 TOWER ASSEMBLY..... 8

PLASTIC TOWER ASSEMBLY..... 9

OPTIONAL WRAPPED SHROUDS..... 10

MID-14 WEIGHT STACK ASSEMBLY..... 11

5 LB. INCREMENT WEIGHT ASSEMBLY..... 12

10 LB. INCREMENT WEIGHT ASSEMBLY..... 13

15 LB. INCREMENT WEIGHT ASSEMBLY..... 14

OPTIONAL LIGHT MID-14 WEIGHT STACK ASSEMBLY..... 15

OPTIONAL 2.5 LB. INCREMENT WEIGHT ASSEMBLY..... 16

OPTIONAL 5 LB. INCREMENT WEIGHT ASSEMBLY..... 17

OPTIONAL 7.5 LB. INCREMENT WEIGHT ASSEMBLY..... 18

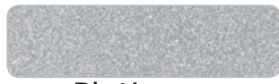
HEAD PLATE ASSEMBLY..... 19

HEAD PLATE ASSEMBLY LEGEND..... 20

IMAGE..... 21

FZSLC SEATED LEG CURL FRAME AND UPHOLSTERY COLORS

Strength Frame Colors



Platinum



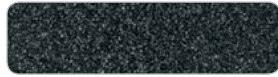
White



Black



Ice Blue Metallic



Midnight Metallic



Nickel



Blue



Red



Yellow



Candy Apple Red

Note: Include frame color in pick-slip notes when ordering frame assemblies or weldments.

Strength Upholstery Colors



American Beauty Red 07



Azure 20



Black 01



Cranberry 04



Graphite 22



Hunter Green 13



Regimental Blue 14



Royal Blue 02



Slate 03



Wheat 21



Burgundy 29



Candy Apple Red 28



Chestnut 34



Concord 16



Crocus 19



Dove Gray 37



Emerald 27



Grotto 25



Gun Metal 39



Imperial Blue 33



Jade 26



Navy 32



Northwoods Green 05



Paprika 35



Plum 30



Putty 38



Space Blue 06



Suede 08



Terra Cotta 36



Turquoise 17

Note: Replace XX with above color suffix when ordering pads (ie. 74123XX = 7412301 Black)
Use 99 suffix for custom upholstery.

FZSLC SEATED LEG CURL SHROUD OPTIONS

STANDARD SHROUD NO WRAP

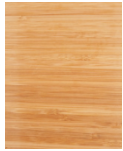


TRANSLUCENT



OPTIONAL StackWraps™ SHROUD + WRAP

BAMBOO



BRONZE



ROSEWOOD



SKY



STAINLESS
STEEL



STEM



CO-BRANDED StackWraps™

SHROUD + WRAP

(refer to co-branded parts list)



PLANET FITNESS

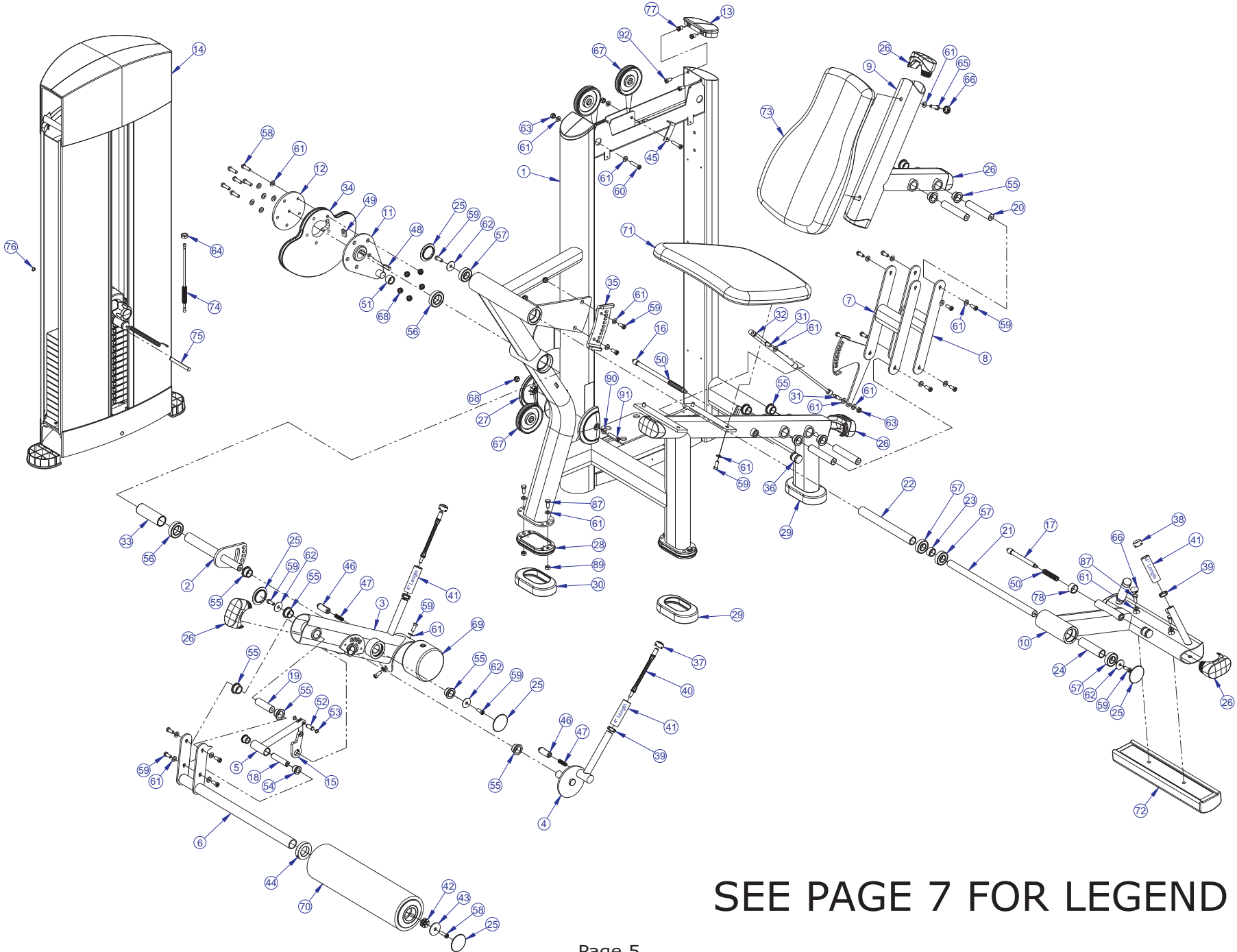


BLINK FITNESS



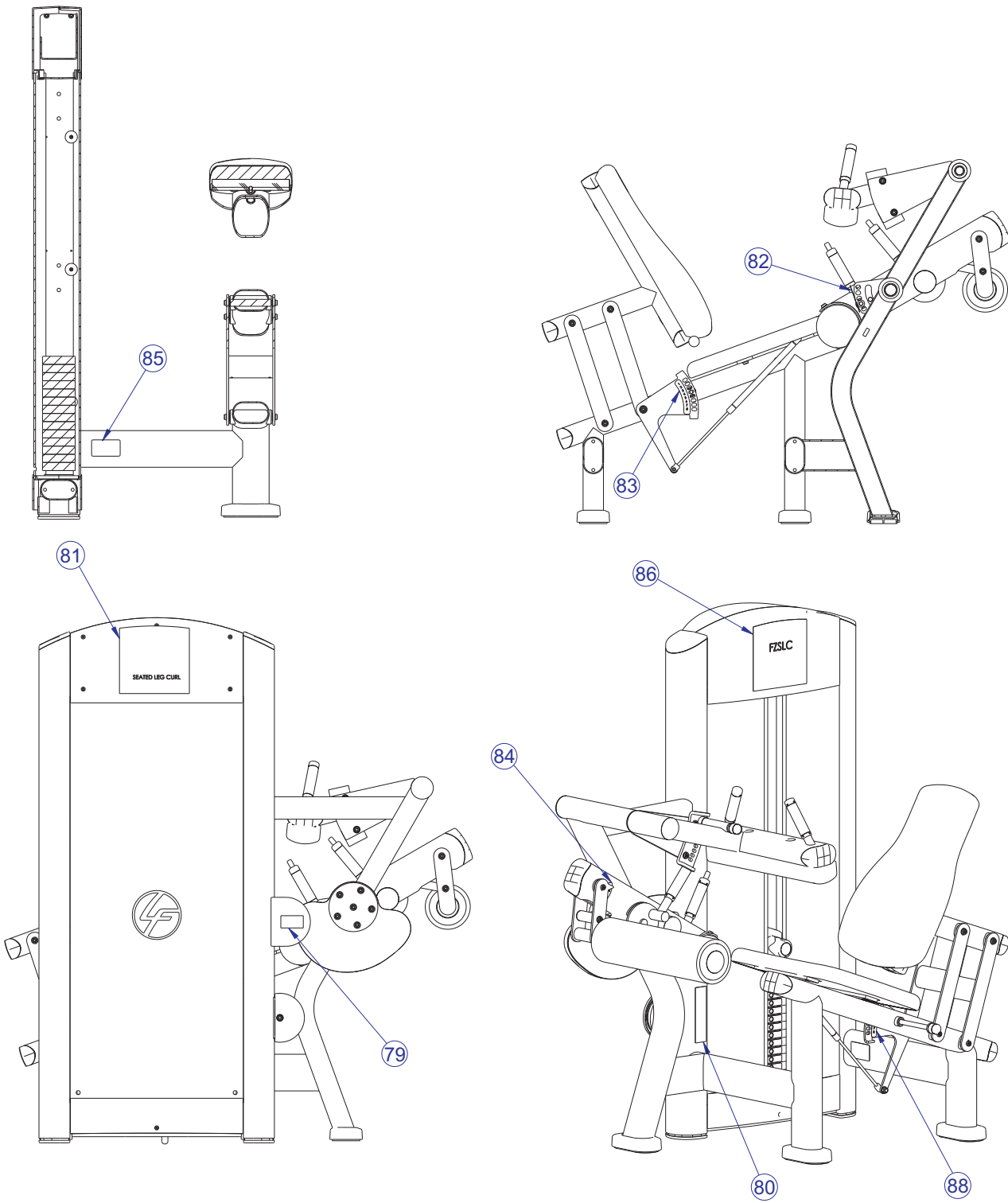
RETRO FITNESS

FZSLC SEATED LEG CURL COMPONENT ASSEMBLY



SEE PAGE 7 FOR LEGEND

FZSLC SEATED LEG CURL COMPONENT ASSEMBLY II

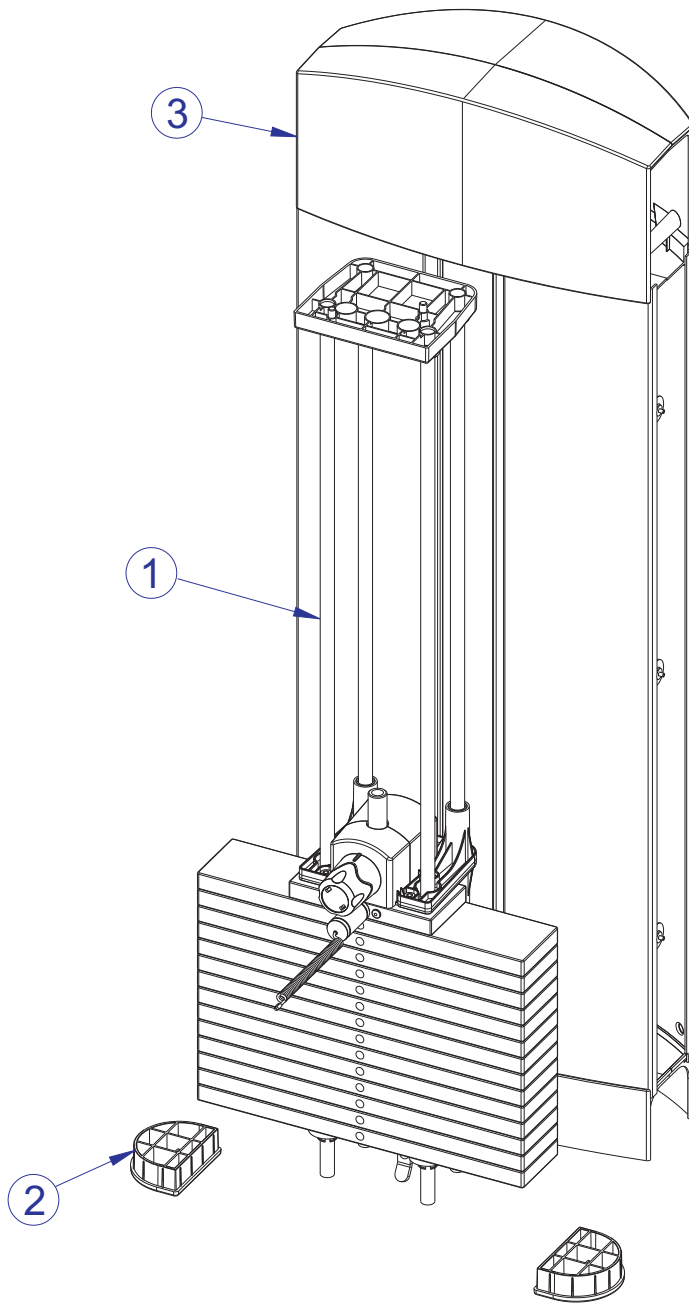


SEE PAGE 7 FOR LEGEND

FZSLC SEATED LEG CURL COMPONENT ASSEMBLY LEGEND

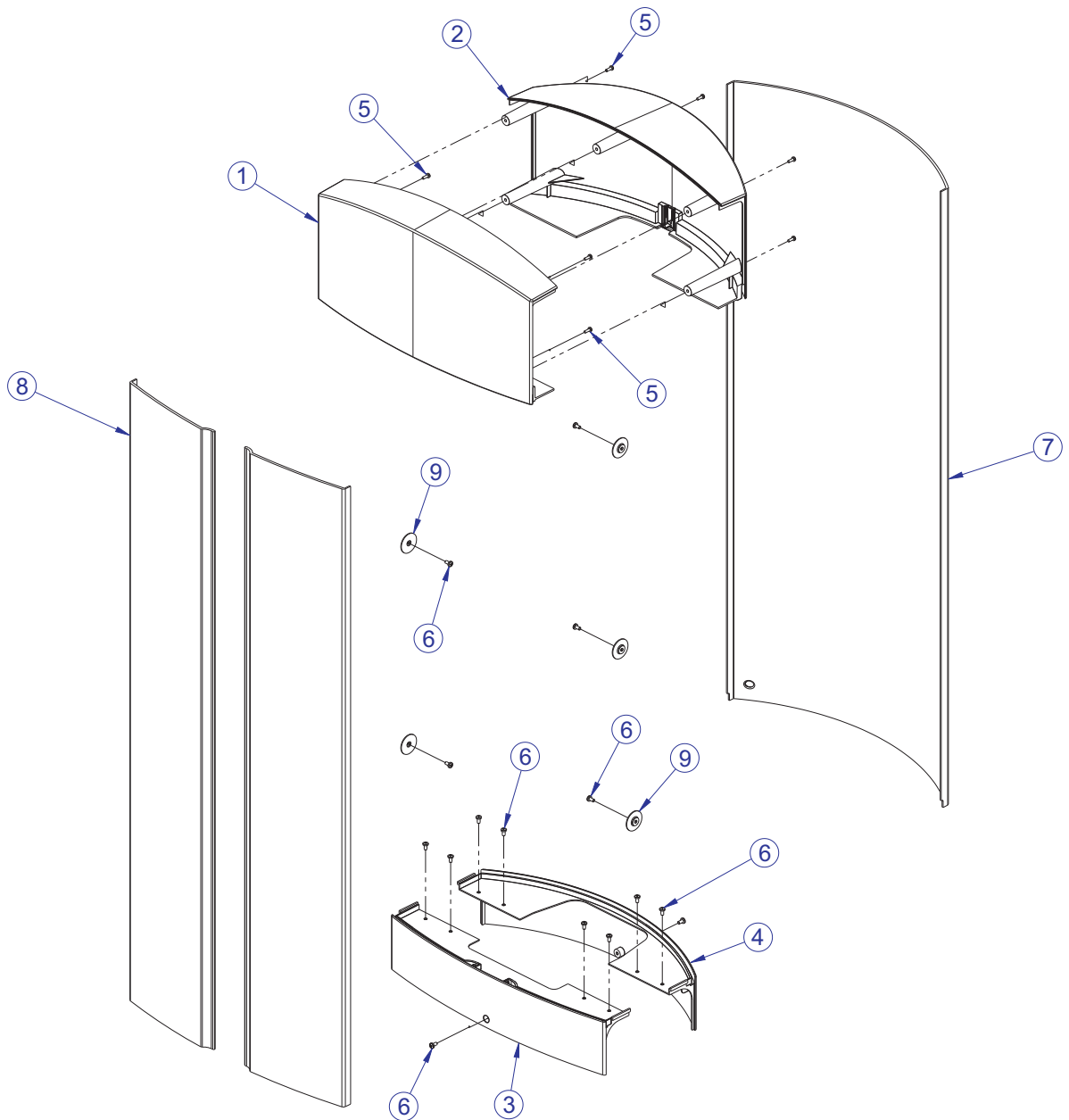
ITEM NO.	QTY.	PART NO.	DESCRIPTION	ITEM NO.	QTY.	PART NO.	DESCRIPTION
1	1		WLDMT, FZSLC, FRAME	47	2	8024501	SPRING, 1/2 OD X 1-1/2
2	1	7774801	WLDMT, FZSLC/BE ADJ START	48	1	7511601	KEY, .375 SQUARE X 1.25
3	1	7482401	WLDMT, FZSLC, PIVOT ARM	49	1	7342201	PLATE, CABLE END
4	1	7482501	WLDMT, FZSLC, TIBIA ADJ HANDLE	50	2	7351501	SPRING; PULL PIN LARGE
5	1	7324501	WLDMT, FZLE, TIBIA ADJ LINK	51	1	7690101	BUMPER, SLEEVE - 1 INCH DIA
6	1	7321901	WLDMT, FZSLC, ROLLER PAD SPRT	52	1	7331702	SHAFT, PIVOT X 1.040
7	1	7411101	WLDMT, FZ, 4-BAR INDEX	53	2	3232409	RING, RETAINING, EXTERNAL
8	1	7411001	WLDMT, FZ, 4-BAR	54	2	3104901	.75" ID 1.00" OD BRONZE BUSHING
9	1	7410901	WLDMT, FZ, BACK PAD SPRT	55	14	3104903	1.00" ID 1.25" OD BRONZ BUSHING
10	1	7482901	WLDMT, FZSLC, THIGH SPRT	56	2	3243201	BEARING, 6007 BALL
11	1	7483001	WLDMT, FZSLC, CAM SPRT	57	4	3235601	BEARING, 6205 BALL
12	1	7329101	PLATE, FZ, CAM COVER	58	7	3236204	SCREW, M10 X1.5 35MM
13	2	7326201	CAP, D-TUBE - TOP	59	23	3236202	SCREW, M10 X1.5 25MM
14	1	7420401	ASSY, MID TOWER-14	60	2	3236206	SCREW, M10 X1.5 45MM
15	1	7329601	PLATE, TIBIA LINK	61	41	3236601	WASHER, 3/8 SAE SS
16	1	7425101	PIN, PULL X 12.25	62	4	3236701	WASHER, FENDER 3/8" X 1.5" OD SS
17	1	7425102	PIN, PULL X 6.75	63	3	3236801	NUT, M10 HEX NYLOCK SS
18	1	7324801	SHAFT, TAPPED 0.75 DIA X 3.330	64	1	3236902	NUT, M16 X 2 HEX JAM SS
19	1	7324901	SHAFT, TAPPED 1 DIA X 3.330	65	2	3251204	SCREW, M10 X1.5 X 35MM HEX ST ZN
20	4	7324902	SHAFT, TAPPED 1 DIA X 5.330	66	4	3237403	PLUG, 1" HOLE
21	1	7316505	SHAFT, 25MM X 19.500	67	3	3237801	PULLEY, 4.5" OD
22	1	7330007	SPACER, INTERNAL X 11.765	68	8	7335401	NUT, M10 X 1.5 SOCKET HEAD
23	1	7330002	SPACER, INTERNAL X .653	69	1	7801901	COUNTER WEIGHT, SMALL - COATED
24	1	7330004	SPACER, INTERNAL X 4.765	70	1	7392801	ASSY, ROLLER PAD - LONG
25	5	7308701	CAP, BEARING HOUSING	71	1	74015XX	PAD, SEAT LE/SLC
26	8	7333901	CAP, LARGE FLOV- END	72	1	74707XX	PAD, KNEE
27	2	8094101	COVER, PULLEY-BOLTED PARTIAL	73	1	74741XX	PAD, LARGE BACK
28	3	7334001	FOOT, 2.50 X 4.49 FLOV	74	1	7423711	CABLE, FZSLC
29	2	7340201	COVER, FOOT - STRAIGHT	75	1	7564501	PIN, FZ/PS, WEIGHT PLATE
30	1	7419601	COVER, FOOT-20 DEG.	76	1	3243901	RING, BRE M11, ST, PP
31	2	7414301	STUD, M10 BALL END M10 X 1.5	77	4	3238601	M10X1.5 THREADED INSERT (HEX)
32	1	3235701	SPRING, GAS 150N	78	1	7690201	BUMPER, SLEEVE - 1.125 INCH DIA
33	1	7511504	SPACER, FZ/PS INTERNAL 4.845	79	1	7422003	LABEL, MOVING PARTS
34	1	7476001	CAM, FZSLC	80	1	7422004	LABEL, 2" ASTM WARN
35	1	7658101	PLATE, FRMD .375 FZSLC	81	1	7508401	LABEL, FZSLC LOGO
36	2	7424801	KNOB, POP PIN	82	1	7589901	LABEL, 3- -1 STRAIGHT
37	2	7663001	CAP, GRIP W/HOLE 1.25 OD	83	1	7524101	LABEL, 1-8 CURVED
38	2	7662901	CAP, GRIP 1.25 OD	84	1	7524201	LABEL, S-XL CURVED
39	4	7662801	RING, GRIP 1.25 OD	85	1	7571301	LABEL, SERIAL NUMBER
40	2	7780101	ROD, PUSH PIN	86	1	7508301	LABEL, FZSLC PLACARD
41	4	3235801	GRIP, 1.25" OD X 4" FZSLC	87	8	3251202	SCREW, M10 X1.5 X 25MM HEX ST ZN
42	1	7347301	NUT, SPIDER M10 X 1.5	88	1	7794301	LABEL, 1-8 CURVED INSIDE
43	1	7322301	PLATE, 1.97 OD X .44 ID 10GA	89	6	3254703	NUT, M10 X 1.5 HEX ZINC
44	1	7357901	SHAFT COLLAR, 1-1/2" ID ALUM	90	1	7630101	RETAINER, CM/MJ, PULLEY
45	1	6757701	CLIP, CABLE 2-7/8 X 1 X 1	91	1	3236207	SCREW, M10 X1.5 50MM
46	2	8032401	PIN, PUSH	92	4	3236201	SCREW, M10 X1.5 20MM

FZSLC SEATED LEG CURL MID-14 TOWER ASSEMBLY - 7420401



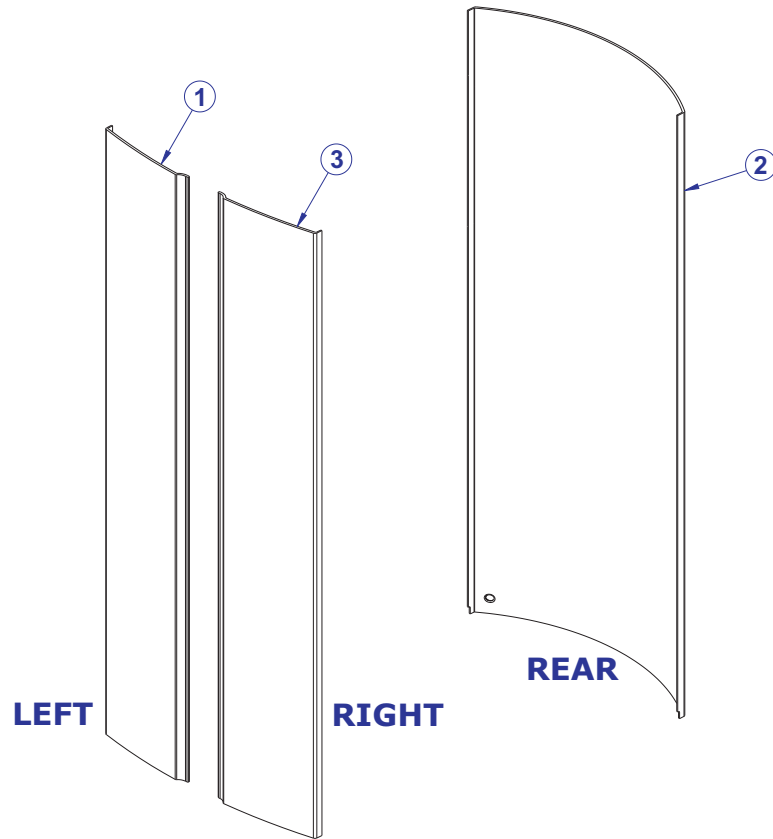
ITEM NO.	QTY.	PART NO.	DESCRIPTION
1	1	7420101	ASSY, WEIGHT STACK MID-14
2	2	7326301	CAP, D-TUBE-BTM
3	1	7419801	ASSY, TOWER PLASTICS-MID


FZSLC SEATED LEG CURL PLASTIC TOWER ASSEMBLY - 7419801





ITEM NO.	QTY.	PART NO.	DESCRIPTION
1	1	7318601	COVER, TOWER- TOP FRONT
2	1	7318701	COVER, TOWER- TOP REAR
3	1	7318801	COVER, TOWER- BOTTOM FRONT
4	1	7318901	COVER, TOWER- BOTTOM REAR
5	9	3236501	M4 X 0.7 PHL PAN MS ST ZN
6	16	3239101	SCREW, M5X10 PHL PAN TT ST
7	1	7765701	SHROUD, TOWER- REAR SHORT
8	2	7765601	SHROUD, TOWER- FRT SHORT RH
9	6	7583501	RETAINER, FZ SHROUD


FZSLC SEATED LEG CURL OPTIONAL WRAPPED SHROUDS





BAMBOO		ITEM NO.	QTY.	PART NO.	DESCRIPTION
		1	1	8954201	SHROUD, FZ, FNT, SRT, LT -BAMBOO
		2	1	8949101	SHROUD, FZ, REAR, SRT -BAMBOO
		3	1	8949001	SHROUD, FZ, FNT, SRT, RT -BAMBOO

SKY		ITEM NO.	QTY.	PART NO.	DESCRIPTION
		1	1	8954301	SHROUD, FZ, FNT, SRT, LT -SKY
		2	1	8949301	SHROUD, FZ, REAR, SRT -SKY
		3	1	8949201	SHROUD, FZ, FNT, SRT, RT -SKY

BRONZE		ITEM NO.	QTY.	PART NO.	DESCRIPTION
		1	1	8954401	SHROUD, FZ, FNT, LT - BRONZE
		2	1	8949501	SHROUD, FZ, REAR -BRONZE
		3	1	8949401	SHROUD, FZ, FNT, SRT, RT -BRONZE

STEM		ITEM NO.	QTY.	PART NO.	DESCRIPTION
		1	1	8954501	SHROUD, FZ, FNT, SRT, LT -STEM
		2	1	8949701	SHROUD, FZ, REAR, SRT -STEM
		3	1	8949601	SHROUD, FZ, FNT, SRT, RT -STEM

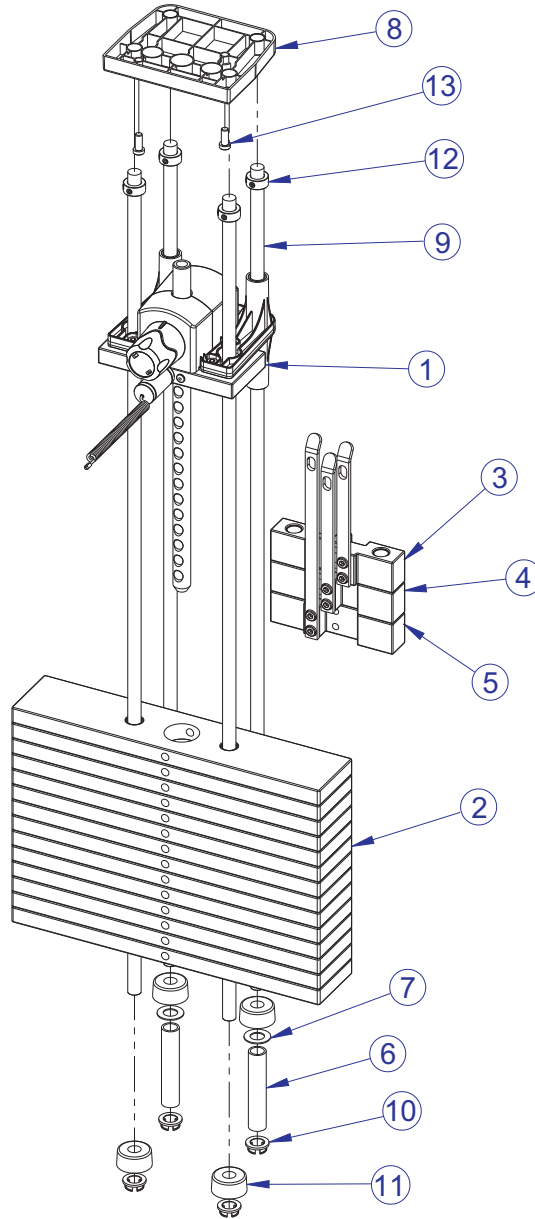
ROSEWOOD		ITEM NO.	QTY.	PART NO.	DESCRIPTION
		1	1	8954601	SHROUD, FZ, FNT, SRT, LT -ROSEWOOD
		2	1	8949901	SHROUD, FZ, REAR, SRT -ROSEWOOD
		3	1	8949801	SHROUD, FZ, FNT, SRT, RT -ROSEWOOD

STAINLESS STEEL		ITEM NO.	QTY.	PART NO.	DESCRIPTION
		1	1	8954701	SHROUD, FZ, FNT, SRT, LT -STAINLESS STEEL
		2	1	8950101	SHROUD, FZ, REAR, SRT -STAINLESS STEEL
		3	1	8950001	SHROUD, FZ, FNT, SRT, RT-STAINLESS STEEL

FZSLC SEATED LEG CURL MID-14 WEIGHT STACK ASSEMBLY - 7420101

WEIGHT STACK LABELS

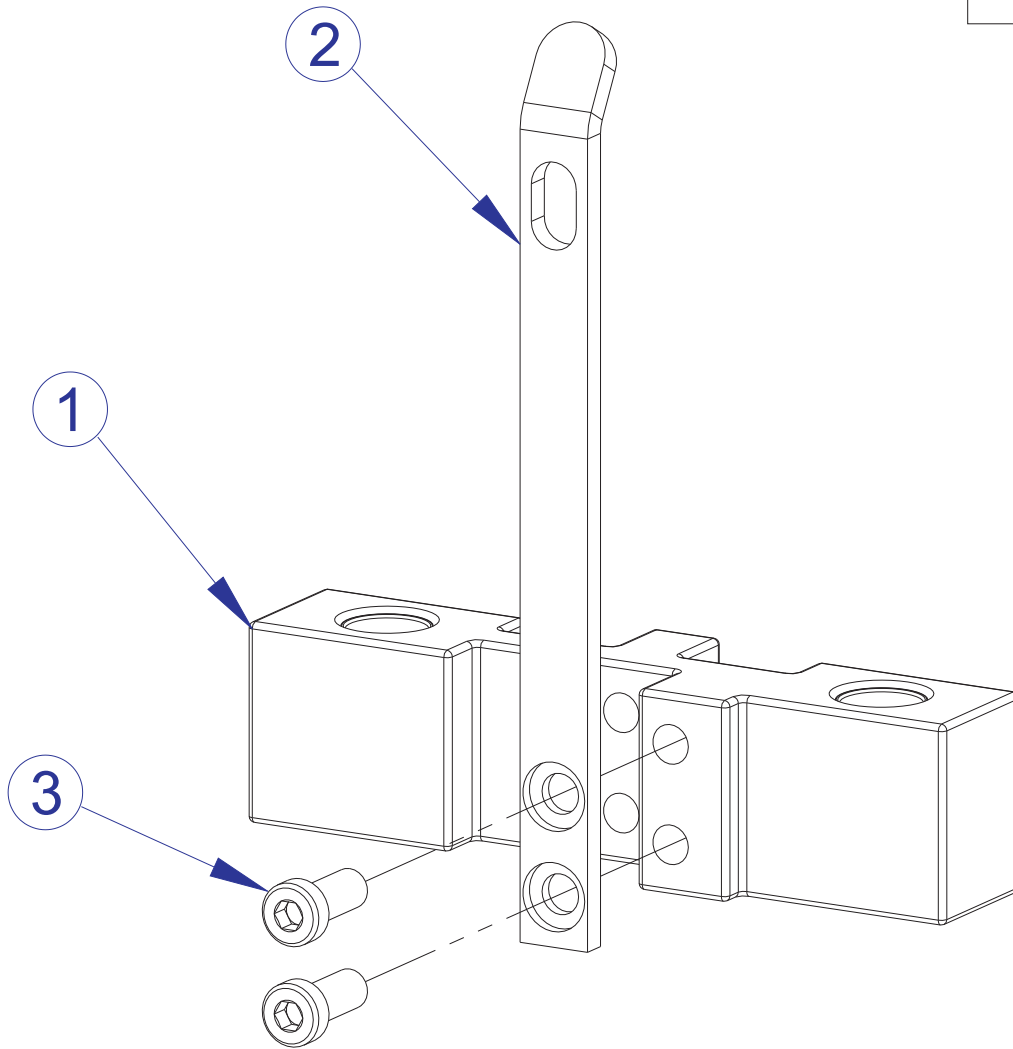
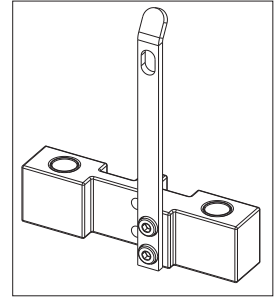
7927201	LABEL, 390 LB STACK
7927301	LABEL, 195 KG STACK



ITEM NO.	QTY.	PART NO.	DESCRIPTION
1	1	7350701	ASSY, HEAD PLATE (14)
2	14	7328401	WEIGHT PLATE, 20 LB
3	1	7327601	ASSY, INCREMENT WT-5LB
4	1	7327701	ASSY, INCREMENT WT-10LB
5	1	7327801	ASSY, INCREMENT WT-15LB
6	2	7328701	SPACER, INC WT STACK 14 PLT
7	2	7351001	SPACER, INC WT STACK
8	1	7621101	RETAINER, GUIDE ROD-TOP
9	4	7328602	GUIDE ROD, .75 OD SOLID X 53.50
10	4	7337901	BUSHING, GUIDE ROD
11	4	7352101	CUSHION, WEIGHT STACK
12	4	3103301	SHAFT COLLAR, 3/4" ID ZINC
13	2	3236202	M10 X 1.5 X 25 HXS SOC CS SS

FZSLC SEATED LEG CURL

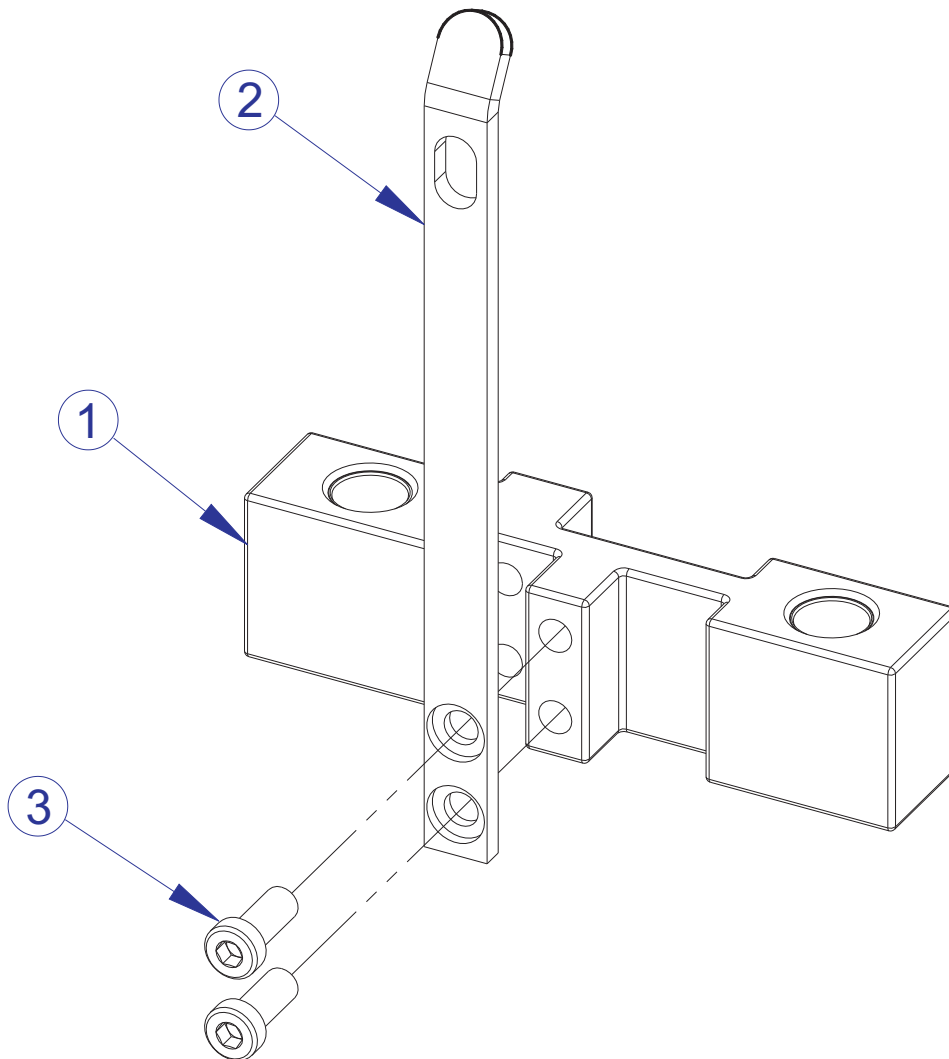
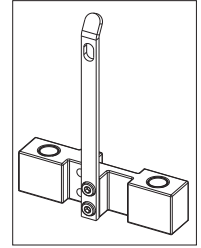
5 LB. INCREMENT WEIGHT ASSEMBLY - 7327601



ITEM NO.	QTY.	PART NO.	DESCRIPTION
1	1	7968501	ASSY, FZ INC WEIGHT 5LB
2	1	7328001	BRKT, INCREMENT WT - 5 LB
3	2	3236202	SCREW, M10 X1.5 25MM

FZSLC SEATED LEG CURL

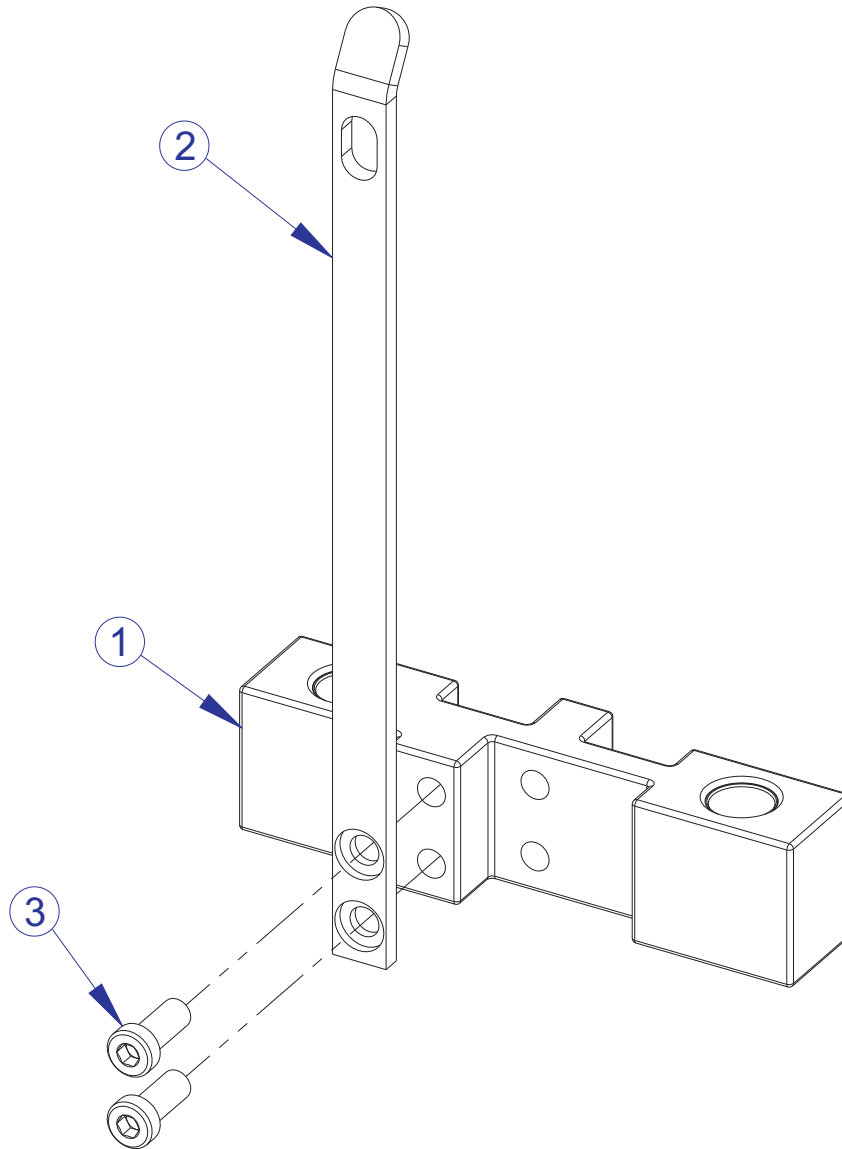
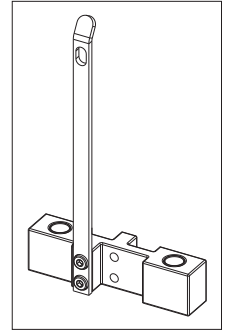
10 LB. INCREMENT WEIGHT ASSEMBLY - 7327701



ITEM NO.	QTY.	PART NO.	DESCRIPTION
1	1	7968501	ASSY, FZ INC WEIGHT 5LB
2	1	7328101	BRKT, INCREMENT WT - 10 LB
3	2	3236202	SCREW, M10 X1.5 25MM

FZSLC SEATED LEG CURL

15 LB. INCREMENT WEIGHT ASSEMBLY - 7327801

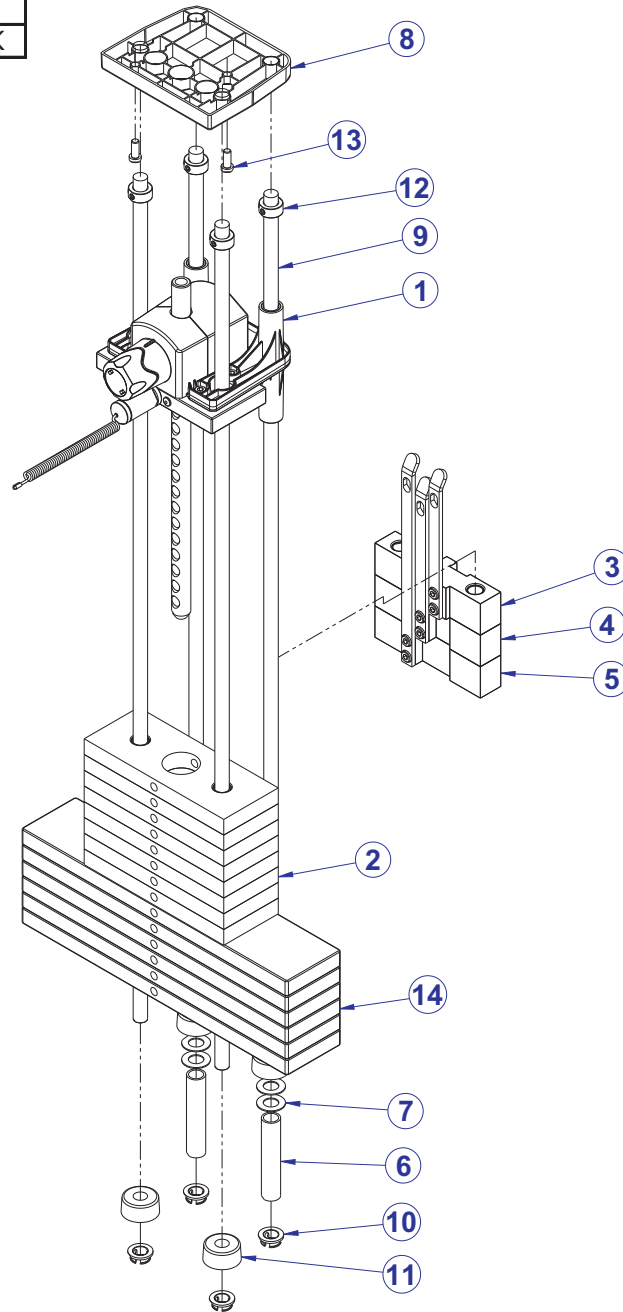


ITEM NO.	QTY.	PART NO.	DESCRIPTION
1	1	7968501	ASSY, FZ INC WEIGHT 5LB
2	1	7328201	BRKT, INCREMENT WT - 15 LB
3	2	3236202	SCREW, M10 X1.5 25MM

FZSLC SEATED LEG CURL

OPTIONAL LIGHT MID-14 WEIGHT STACK ASSY. - 8866201

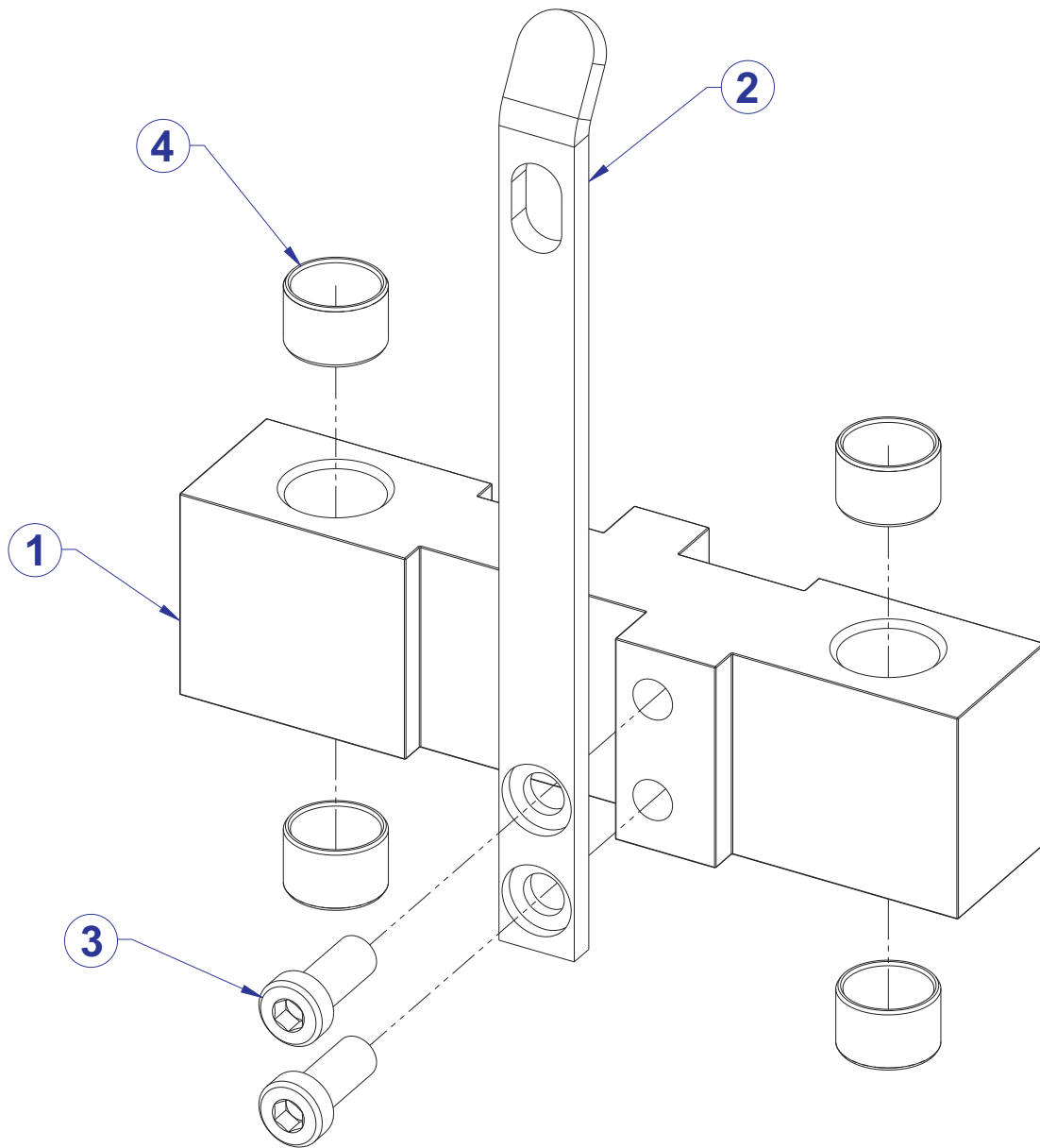
WEIGHT STACK LABELS	
8867101	LABEL, 190 LB STACK



ITEM NO.	QTY.	PART NO.	DESCRIPTION
1	1	7350701	ASSY, HEAD PLATE (14)
2	8	7353701	ASSY, 10 LB PLATE
3	1	8861301	ASSY, FZ INC WEIGHT - 2.5 LB
4	1	8861401	ASSY, FZ INC WEIGHT - 5 LB
5	1	8861501	ASSY, FZ INC WEIGHT - 7.5 LB
6	2	7328701	SPACER, INC WT STACK - 14 PLT
7	4	7351001	SPACER, INC WT STACK
8	1	7621101	RETAINER, GUIDE ROD - TOP
9	4	7328602	GUIDE ROD, .75 OD SOLID 53.50
10	4	7337901	BUSHING, GUIDE ROD
11	4	7352101	CUSHION, WEIGHT STACK
12	4	3103301	SHAFT COLLAR, 3/4 I.D. ZINC
13	2	3236202	SCREW, M10 X1.5 25MM
14	6	7328401	WEIGHT PLATE, 20 LB

FZSLC SEATED LEG CURL

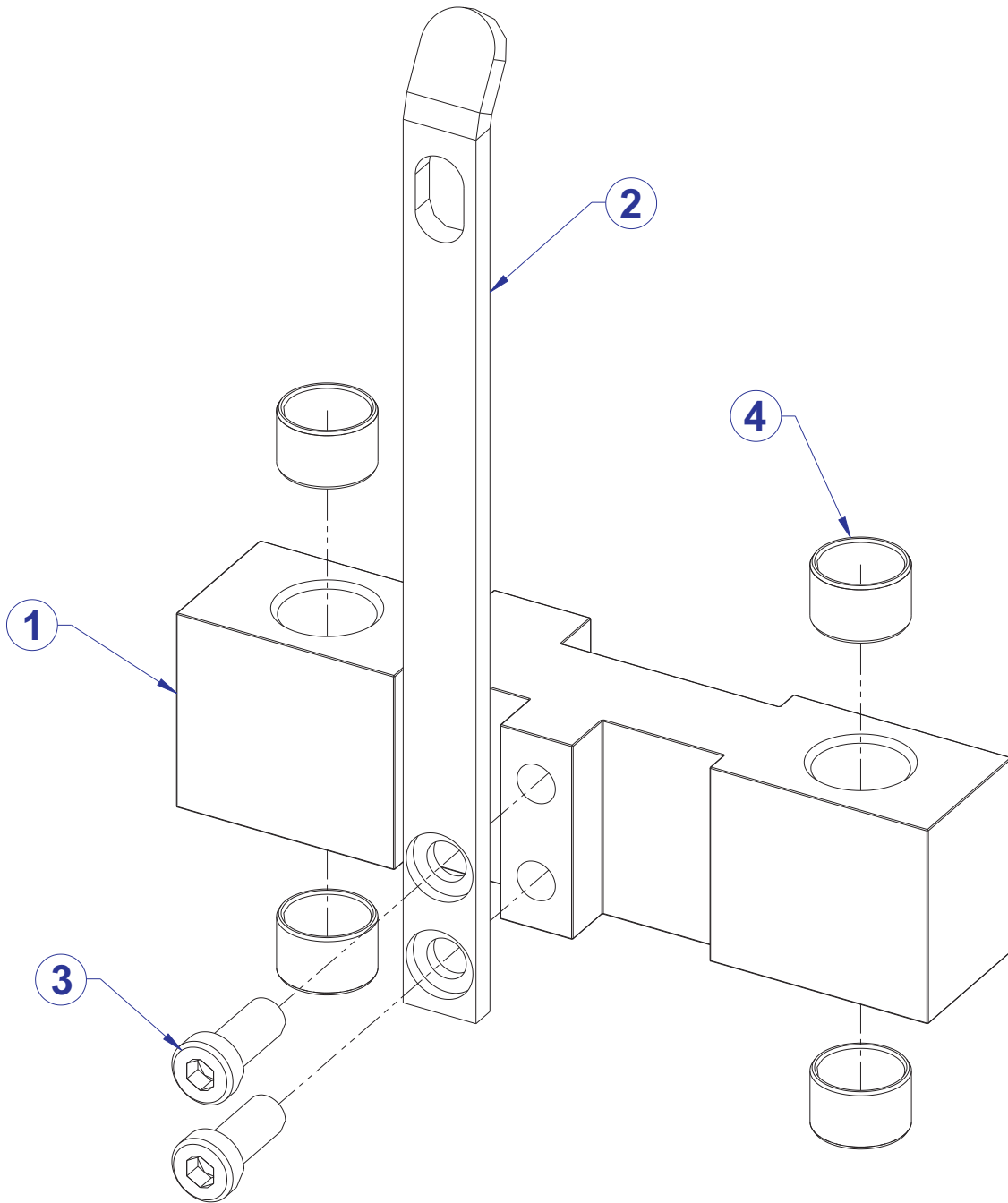
OPTIONAL 2.5 LB. INCREMENT WEIGHT ASSY. - 8861301



ITEM NO.	QTY.	PART NO.	DESCRIPTION
1	1	8861295	INCREMENT WEIGHT, FZ OPTIONAL - SG
2	1	7328001	BRKT, INCREMENT WT - 5 LB
3	2	3236202	SCREW, M10 X1.5 25MM
4	4	3202501	BEARING, SLEEVE 20 ID X 23.00 X 15 MM

FZBE BACK EXTENSION

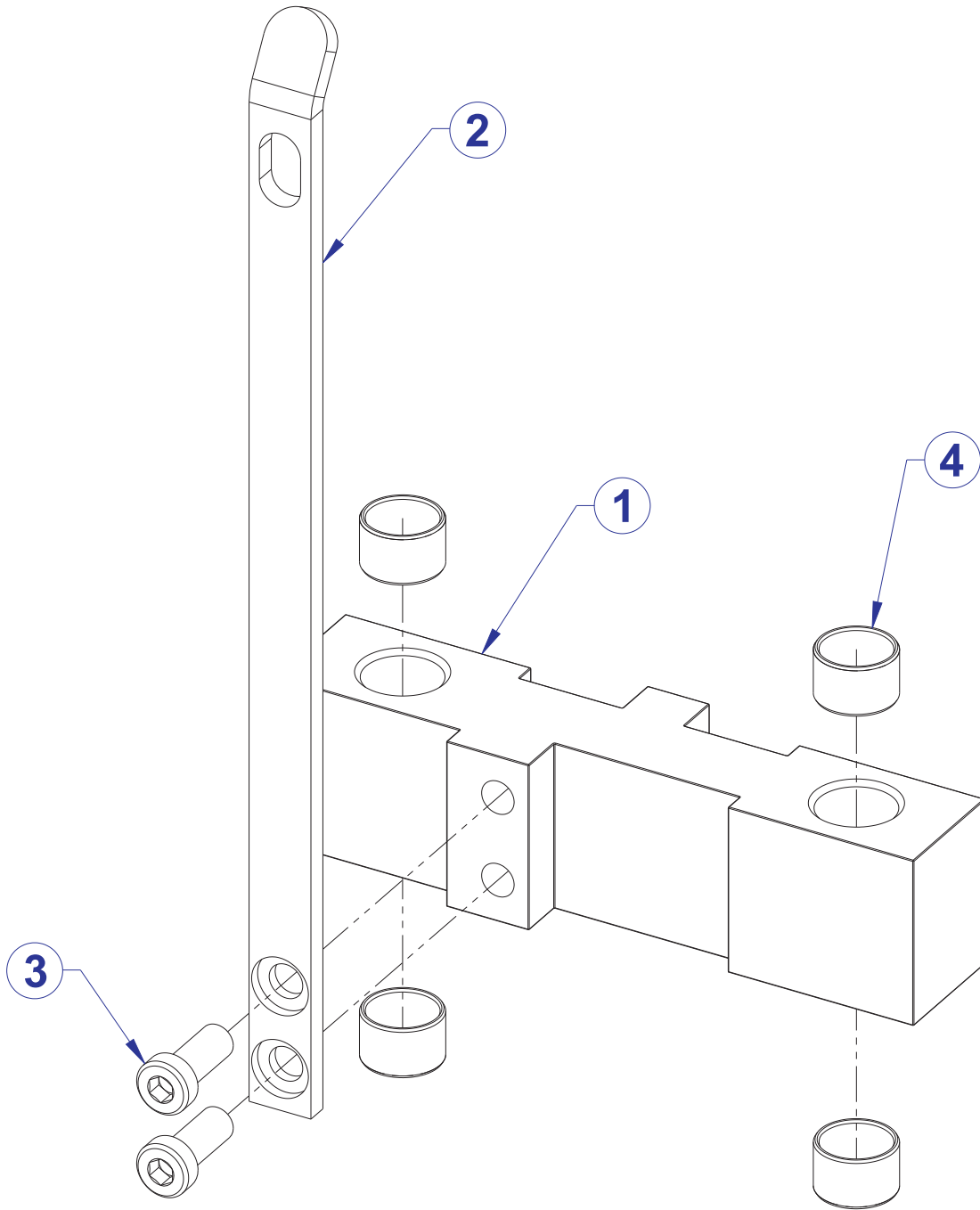
OPTIONAL 5 LB. INCREMENT WEIGHT ASSY. - 8861401



ITEM NO.	QTY.	PART NO.	DESCRIPTION
1	1	8861295	INCREMENT WEIGHT, FZ OPTIONAL - SG
2	1	7328101	BRKT, INCREMENT WT - 10 LB
3	2	3236202	SCREW, M10 X1.5 25MM
4	4	3202501	BEARING, SLEEVE 20 ID X 23.00 X 15 MM

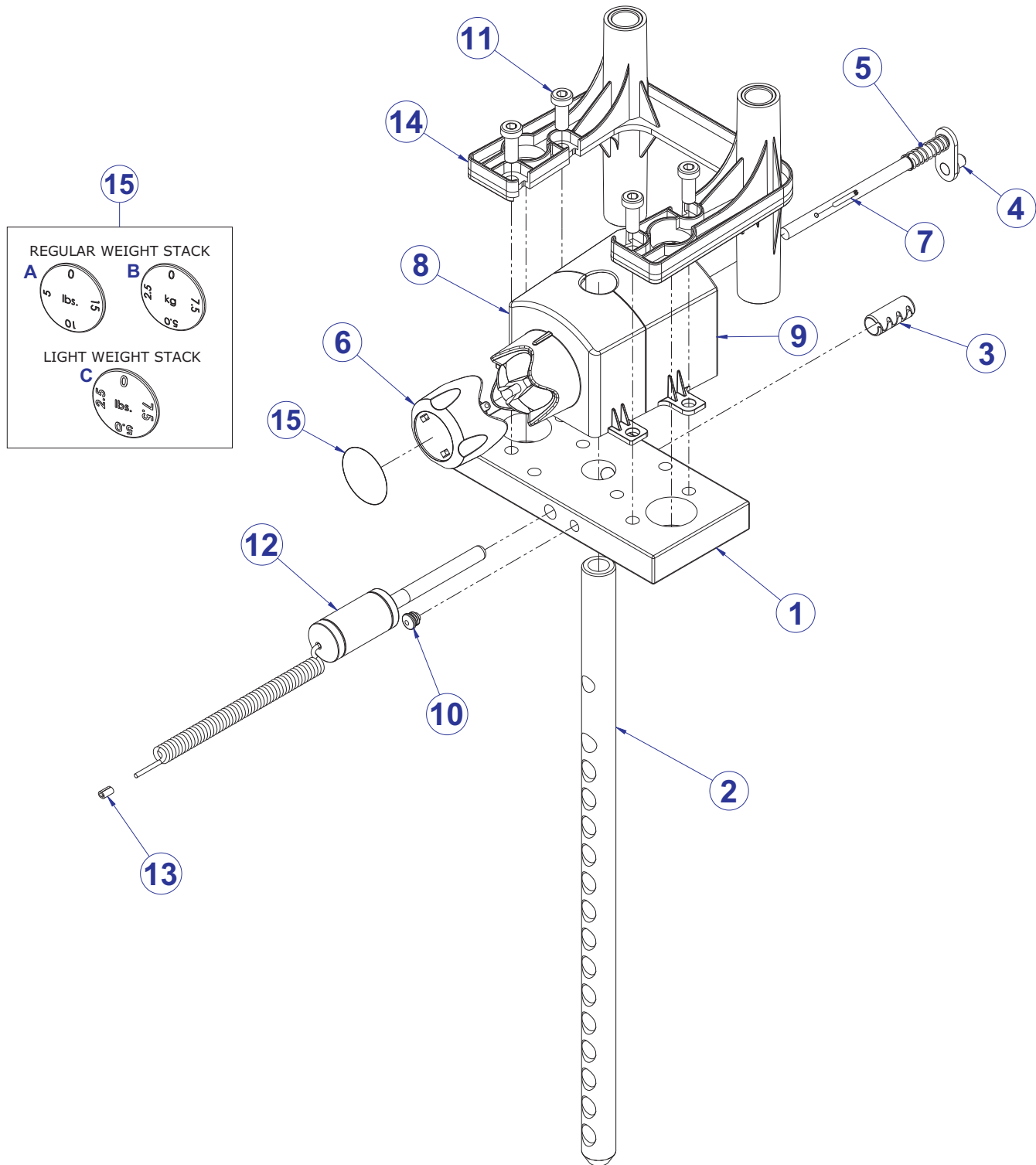
FZBE BACK EXTENSION

OPTIONAL 7.5 LB. INCREMENT WEIGHT ASSY. - 8861501



ITEM NO.	QTY.	PART NO.	DESCRIPTION
1	1	8861295	INCREMENT WEIGHT, FZ OPTIONAL - SG
2	1	7328201	BRKT, INCREMENT WT - 15 LB
3	2	3236202	SCREW, M10 X1.5 25MM
4	4	3202501	BEARING, SLEEVE 20 ID X 23.00 X 15 MM

FZSLC SEATED LEG CURL HEAD PLATE ASSEMBLY - 7350701



SEE PAGE 20 FOR LEGEND

FZSLC SEATED LEG CURL HEAD PLATE ASSEMBLY LEGEND

ITEM NO.	QTY.	PART NO.	DESCRIPTION	
1	1	7326701	HEAD PLATE	
2	1	7328901	STEM, 14 PLATE	
3	1	3236001	BUSHING, SPRING PIN	
4	1	7327201	WLDMT, INCREMENT WT PIN	
5	1	8024501	SPRING, 1/2 OD X 1-1/2	
6	1	7326101	KNOB, INC WT SELECTOR	
7*	1	3110008	ROLL PIN, 1/8 X 1-1/4	
8*	1	7326401	HOUSING, SELECTOR - FRONT	
9*	1	7326501	HOUSING, SELECTOR - REAR	
10	1	7356501	PLUG, LANYARD ATTACHMENT	
11	4	3236202	SCREW, M10 X1.5 25MM	
12	1	7338101	ASSY, WT STACK SELECTOR PIN	
13	1	7523601	CRIMP, CABLE	
14	1	8867301	ASSY, FZ, STABILIZER WITH BUSHINGS	
15**	A)	1	7398601	CAP, SELECTOR KNOB, LBS
	B)	1	7398701	CAP, SELECTOR KNOB, KG
	C)	1	8865801	CAP, FZ SELECTOR KNOB - 2.5 LBS

* Kit exists for component set. See bulletin FZ02012701N

** Language specific/Weight stack item. Order separately-not part of assembly.

FZSLC SEATED LEG CURL IMAGE

